

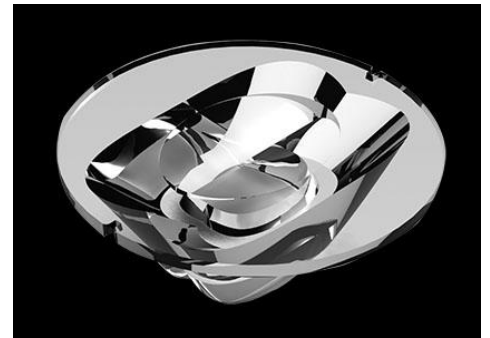


Product Part Number

CKO - CB19 - 045017 - 1830

✓ Model Number Definitions

CKO-XXXX-XXXXXX-XXXX

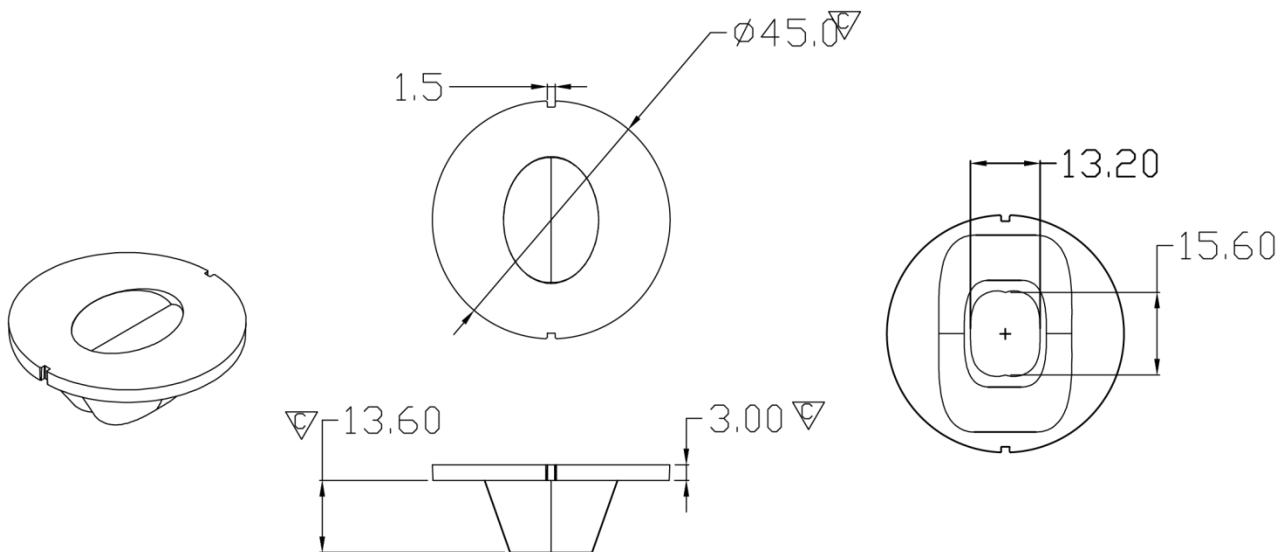


- A. Chun Kuang Optics Corp. Product
- B. Product Type: product abbreviation
Ex:
MX→Multi 33 in 1
SW→Single Wall Washer
CW→Wall Washer for CoB LED
HC→Holder for CoB LED

- C. Identity Code
- D. Lens / Fixture Size
Ex: 075026=Φ75mm / Thickness=26mm (round up)
- E. Serial Numbers

The lens datasheet is applicable for **Cree LED**, that manufactured by Chun Kuang Optics Corp.

✓ Dimensions (mm) : **Φ45x16.6**



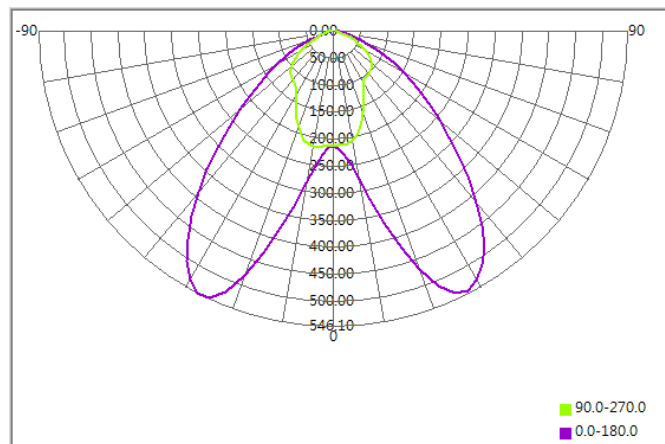
▽:Critical Dimension



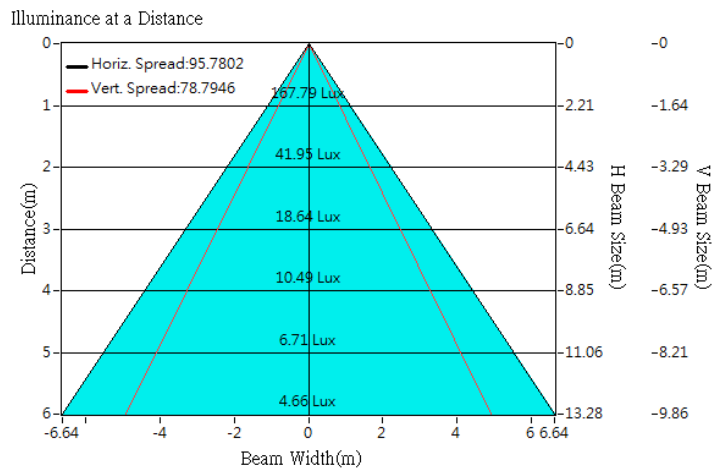
Optical Characteristics

Part Number	CKO-CB19-045017-1830		"H" definition
LED	CXB1507		
LES / LED Size	Φ 9 mm		
FWHM (D50)	79°x96°		
H (distance)	2.5 mm		
Dimension	Φ =45 mm, Thickness=16.6 mm		
Luminous Flux	793 lm	Measured @ 7.1 W	
Material	PC / UL94V2		

cd/klm

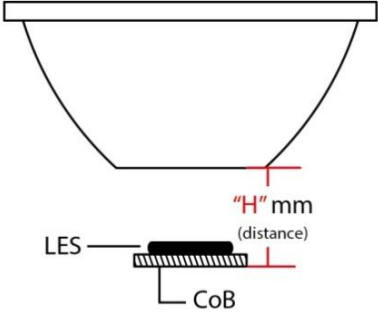


Illuminance At Distances

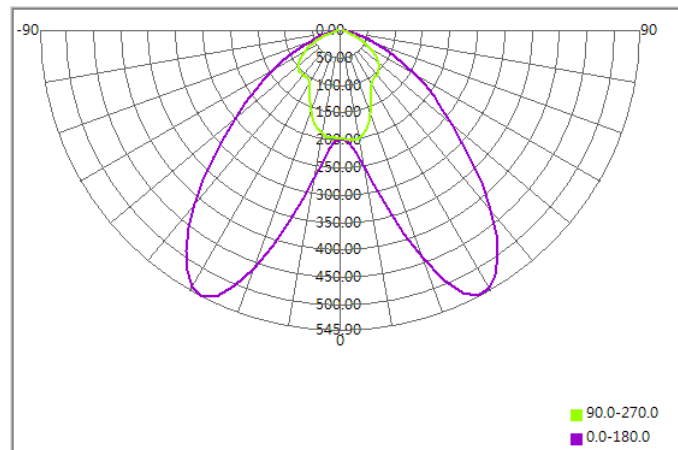




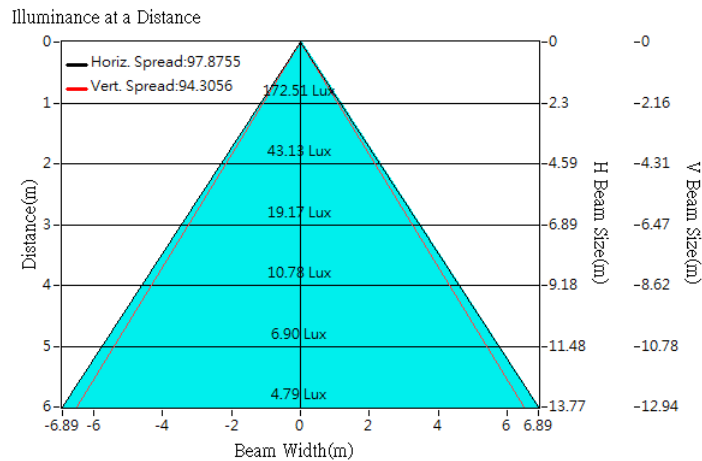
Optical Characteristics

Part Number	CKO-CB19-045017-1830		"H" definition 
LED	CXA1510		
LES / LED Size	Φ 9 mm		
FWHM (D50)	94°x98°		
H (distance)	2.5 mm		
Dimension	Φ =45 mm, Thickness=16.6 mm		
Luminous Flux	875 lm	Measured @ 9.1 W	
Material	PC / UL94V2		

cd/klm

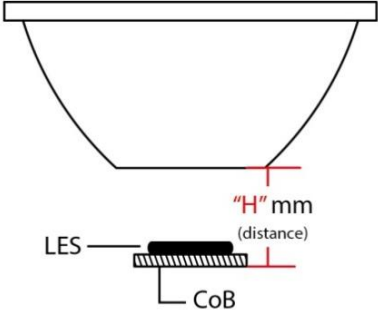


Illuminance At Distances

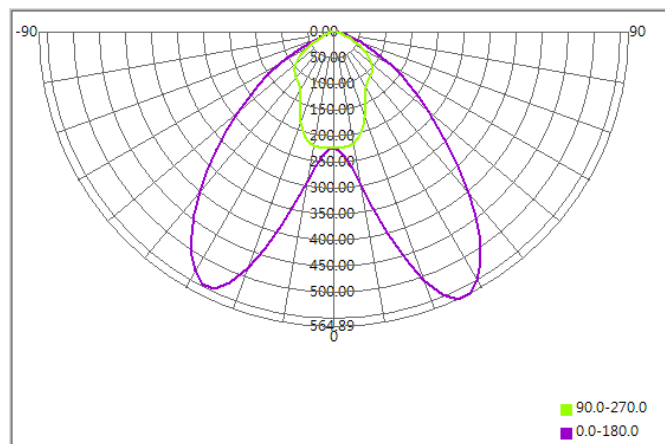




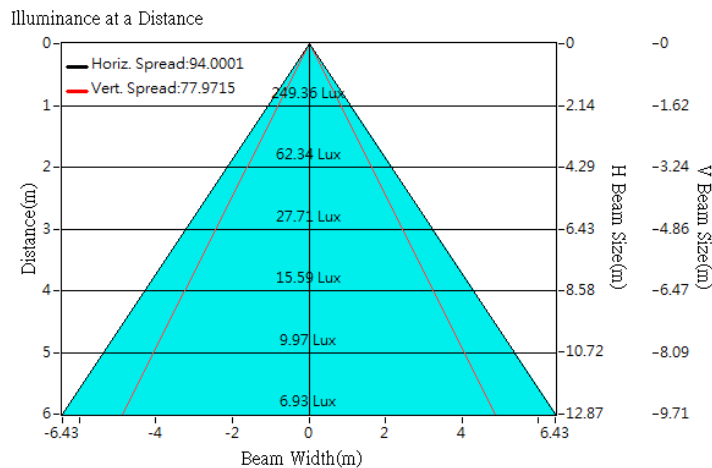
Optical Characteristics

Part Number	CKO-CB19-045017-1830		"H" definition 
LED	CXA1512		
LES / LED Size	Φ 9 mm		
FWHM (D50)	78°x94°		
H (distance)	2.5 mm		
Dimension	Φ =45 mm, Thickness=16.6 mm		
Luminous Flux	1122 lm	Measured @ 13.2 W	
Material	PC / UL94V2		

cd/klm

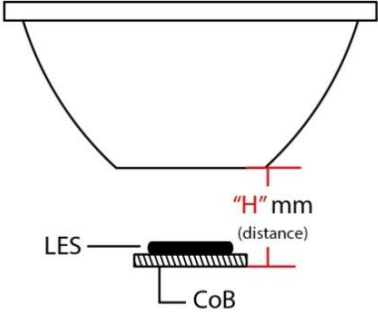


Illuminance At Distances

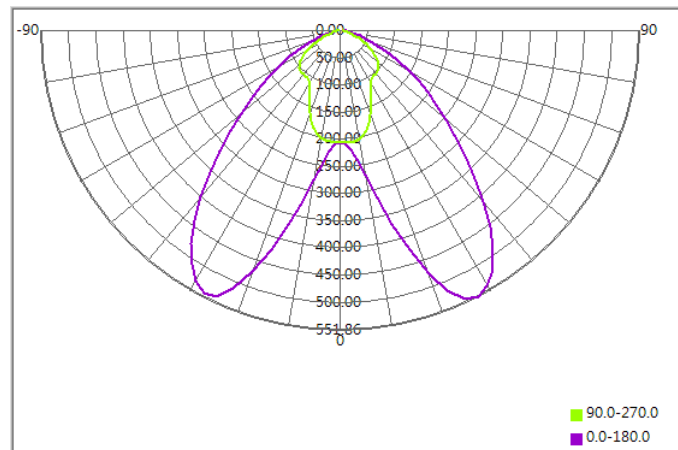




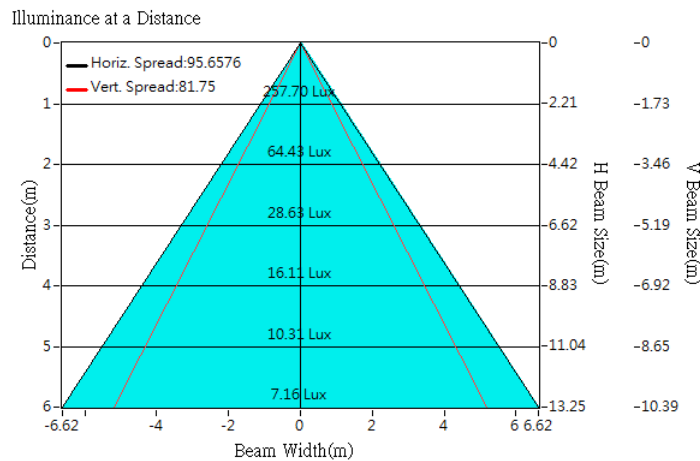
Optical Characteristics

Part Number	CKO-CB19-045017-1830		<p>"H" definition</p> 
LED	CXB1512		
LES / LED Size	Φ 9 mm		
FWHM (D50)	82°x96°		
H (distance)	2.5 mm		
Dimension	Φ =45 mm, Thickness=16.6 mm		
Luminous Flux	1253 lm	Measured @ 12.2 W	
Material	PC / UL94V2		

cd/klm

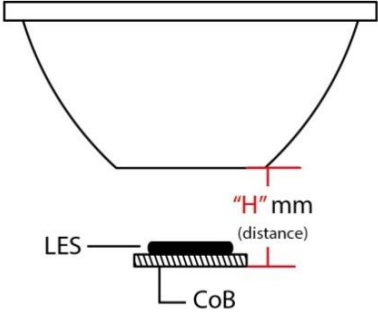


Illuminance At Distances

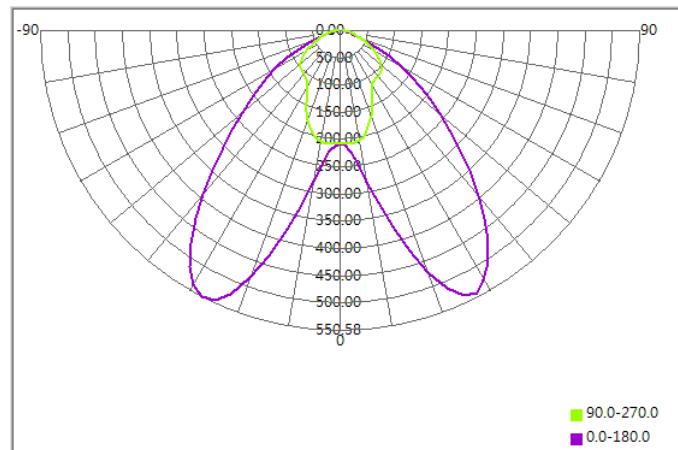




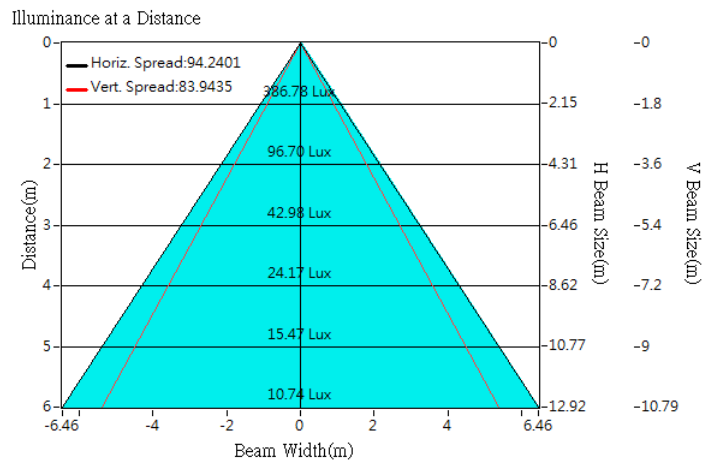
Optical Characteristics

Part Number	CKO-CB19-045017-1830		<p>"H" definition</p> 
LED	CXB1520		
LES / LED Size	Φ 9 mm		
FWHM (D50)	84°x94°		
H (distance)	2.5 mm		
Dimension	Φ =45 mm, Thickness=16.6 mm		
Luminous Flux	1858 lm	Measured @ 17.5 W	
Material	PC / UL94V2		

cd/klm

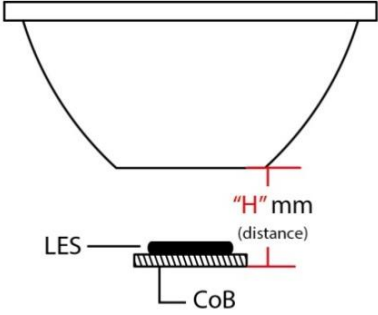


Illuminance At Distances

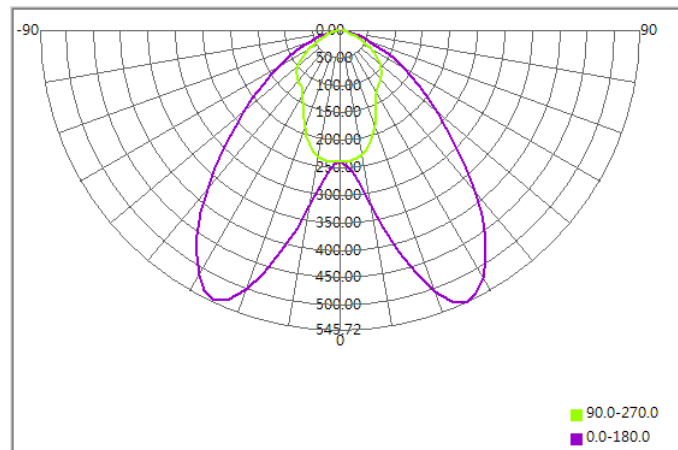




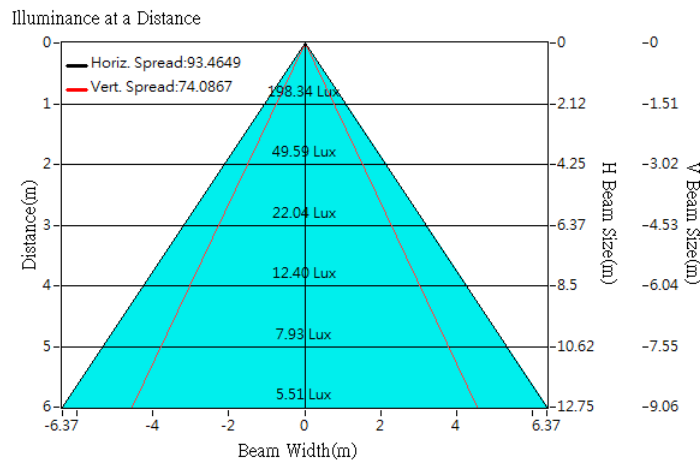
Optical Characteristics

Part Number	CKO-CB19-045017-1830		"H" definition 
LED	CMT1407		
LES / LED Size	Φ 9.8 mm		
FWHM (D50)	94°x98°		
H (distance)	2.5 mm		
Dimension	Φ =45 mm, Thickness=16.6 mm		
Luminous Flux	826 lm	Measured @ 7.1 W	
Material	PC / UL94V2		

cd/klm



Illuminance At Distances

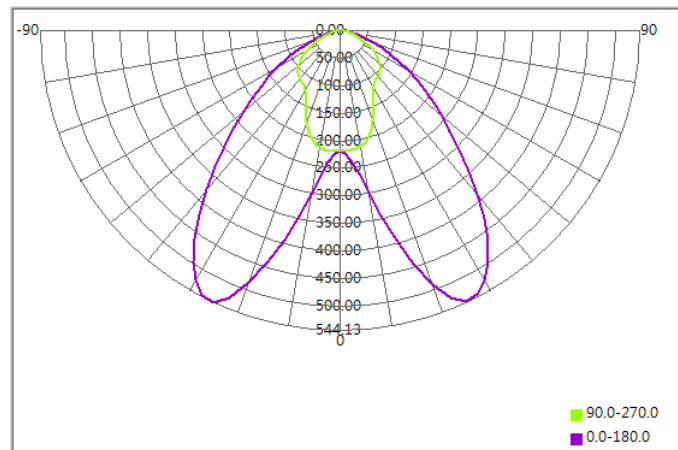




Optical Characteristics

Part Number	CKO-CB19-045017-1830		<p>"H" definition</p>
LED	CMT1412		
LES / LED Size	Φ 9.8 mm		
FWHM (D50)	82°x94°		
H (distance)	2.5 mm		
Dimension	Φ =45 mm, Thickness=16.6 mm		
Luminous Flux	1351 lm	Measured @ 12.7 W	
Material	PC / UL94V2		

cd/klm



Illuminance At Distances

