

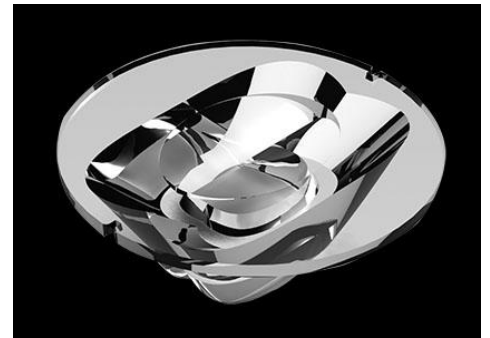


## Product Part Number

**CKO - CB19 - 045017 - 1830**

### ✓ Model Number Definitions

**CKO-XXXX-XXXXXX-XXXX**

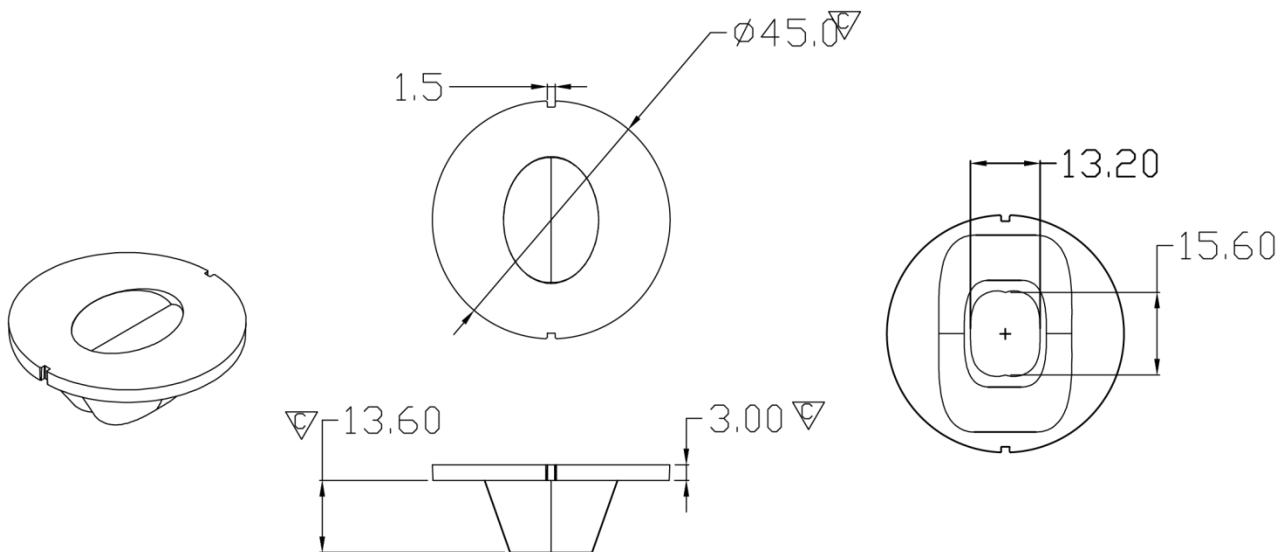


- A. Chun Kuang Optics Corp. Product
- B. Product Type: product abbreviation  
Ex:  
MX→Multi 33 in 1  
SW→Single Wall Washer  
CW→Wall Washer for CoB LED  
HC→Holder for CoB LED

- C. Identity Code
- D. Lens / Fixture Size  
Ex: 075026=Φ75mm / Thickness=26mm (round up)
- E. Serial Numbers

The lens datasheet is applicable for **Philips LED**, that manufactured by Chun Kuang Optics Corp.

### ✓ Dimensions (mm) : **Φ45x16.6**

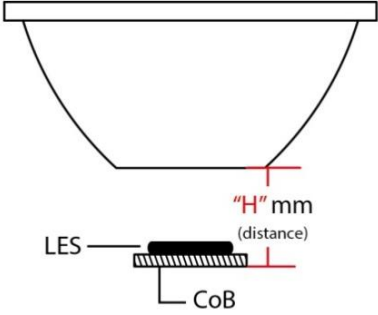


▽:Critical Dimension

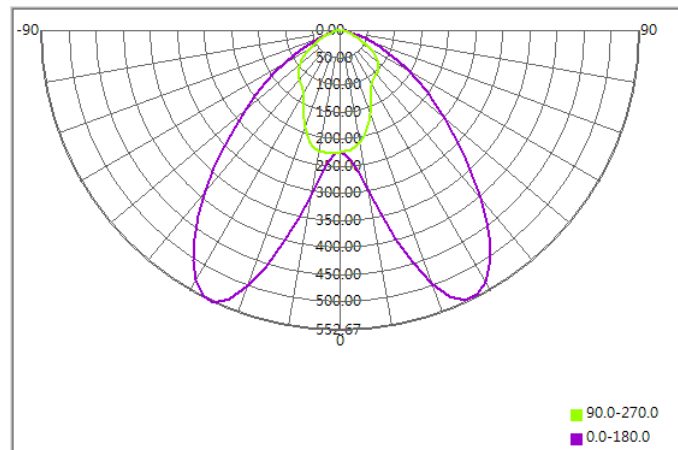




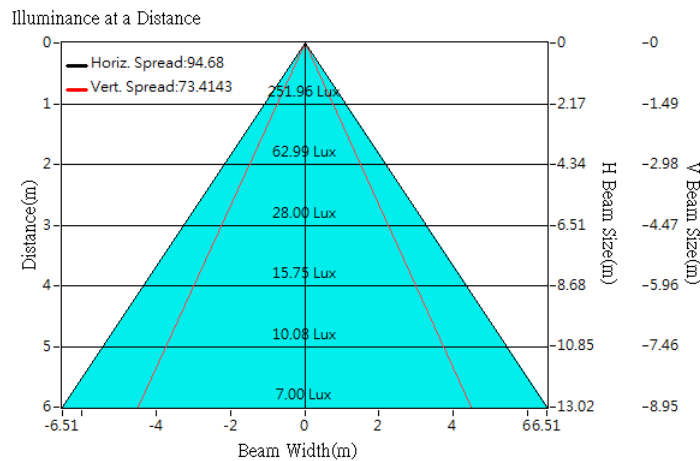
## Optical Characteristics

Part Number	CKO-CB19-045017-1830		<p>"H" definition</p> 
LED	<b>Fortimo SLM 1203 L09 G6</b>		
LES / LED Size	Φ 9 mm		
FWHM (D50)	73°x95°		
H (distance)	2.5 mm		
Dimension	Φ =45 mm, Thickness=16.6 mm		
Luminous Flux	1122 lm	Measured @ 10.6 W	
Material	PC / UL94V2		

## cd/klm



## Illuminance At Distances

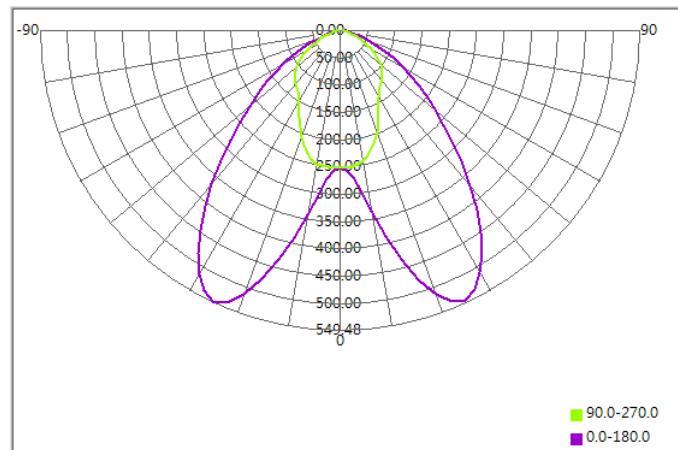




## Optical Characteristics

Part Number	CKO-CB19-045017-1830		<p>"H" definition</p>
LED	<b>Fortimo SLM 1204 L09 G7N</b>		
LES / LED Size	Φ 9.8 mm		
FWHM (D50)	76°x92°		
H (distance)	2.5 mm		
Dimension	Φ =45 mm, Thickness=16.6 mm		
Luminous Flux	1605 lm	Measured @ 12.4 W	
Material	PC / UL94V2		

## cd/klm



## Illuminance At Distances

