

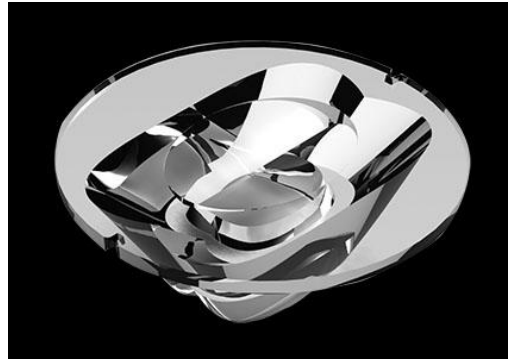


Product Part Number

CKO - CB19 - 075026 - 2030

✓ Model Number Definitions

CKO-XXXX-XXXXXX-XXXX

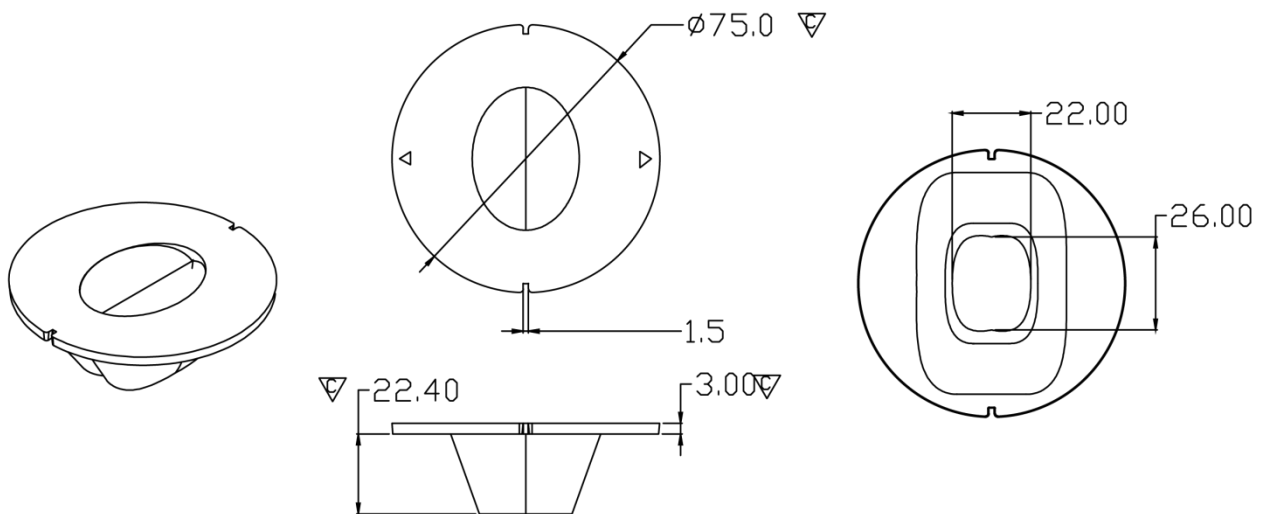


- A. Chun Kuang Optics Corp. Product
- B. Product Type: product abbreviation
Ex:
MX→Multi 33 in 1
SW→Single Wall Washer
CW→Wall Washer for CoB LED
HC→Holder for CoB LED

- C. Identity Code
- D. Lens / Fixture Size
Ex: 075026=Φ75mm / Thickness=26mm (round up)
- C. Serial Numbers

The lens datasheet is applicable for **Philips LED**, that manufactured by Chun Kuang Optics Corp.

✓ Dimensions (mm) : **Φ75x25.4**



▽:Critical Dimension

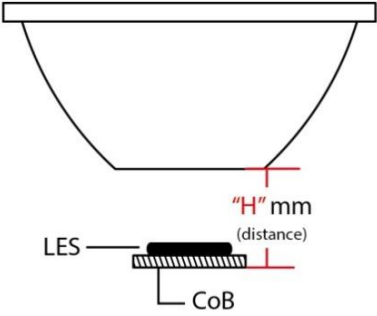


✓ Optical Characteristics – Angle Performances

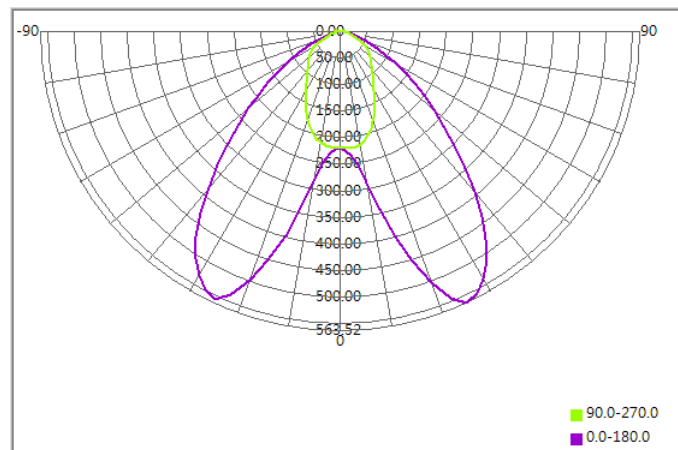
| Philips | LED LES (mm) | FWHM (degrees) | H (mm) | Tilt Angle |
|-------------------------|--------------|----------------|--------|------------|
| Fortimo SLM 1208 L15 G7 | Φ15 | 65°x94° | 3.65 | 25° |
| | | | | |
| | | | | |
| | | | | |
| | | | | |
| | | | | |
| | | | | |
| | | | | |
| | | | | |
| | | | | |
| | | | | |
| | | | | |
| | | | | |
| | | | | |
| | | | | |
| | | | | |
| | | | | |
| | | | | |
| | | | | |
| | | | | |
| | | | | |
| | | | | |
| | | | | |



Optical Characteristics

| | | | |
|----------------|--------------------------------|-------------------|--|
| Part Number | CKO-CB19-075026-2030 | | <p>"H" definition</p>  |
| LED | Fortimo SLM 1208 L15 G7 | | |
| LES / LED Size | Φ 15 mm | | |
| FWHM (D50) | 65°x94° | | |
| H (distance) | 3.65 mm | | |
| Dimension | Φ =75 mm, Thickness=25.4 mm | | |
| Luminous Flux | 2558 lm | Measured @ 26.7 W | |
| Material | PC / UL94V2 | | |

cd/klm



Illuminance At Distances

