



Product Model Number

CKO-CH15-045021-1601

✓ Model Number Definitions

CKO-XXXX-XXXXXX-XXXX

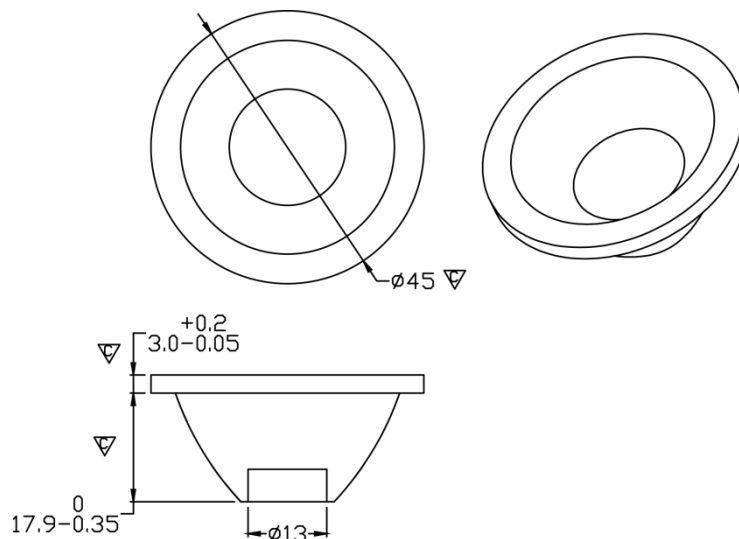


- A. Chun Kuang Optics Corp. Product
- B. Product Type: product abbreviation
Ex:
CH→CoB High Intensity
CC→CoB Compact
CS→Soft Shading for CoB LED
HC→Holder for CoB LED

- C. Identity Code
- D. Lens / Fixture Size
Ex: 075026=Φ75mm / Thickness=26mm (round up)
- C. Serial Numbers

The lens datasheet is applicable for **Citizen LED**, that manufactured by Chun Kuang Optics Corp.

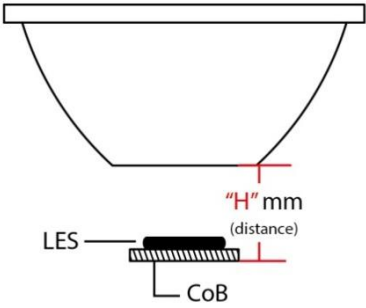
✓ Dimensions (mm) : Φ45 x 20.9



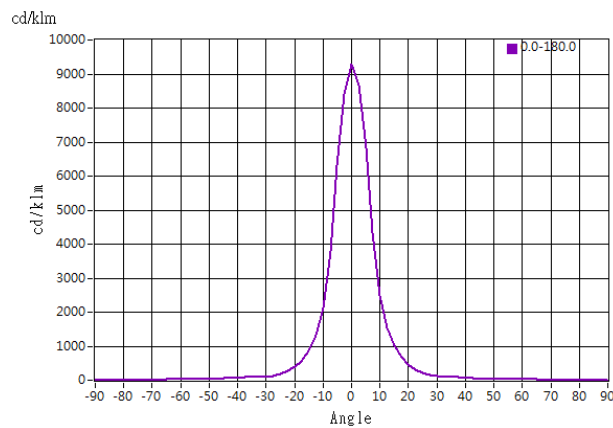
▽:Critical Dimension



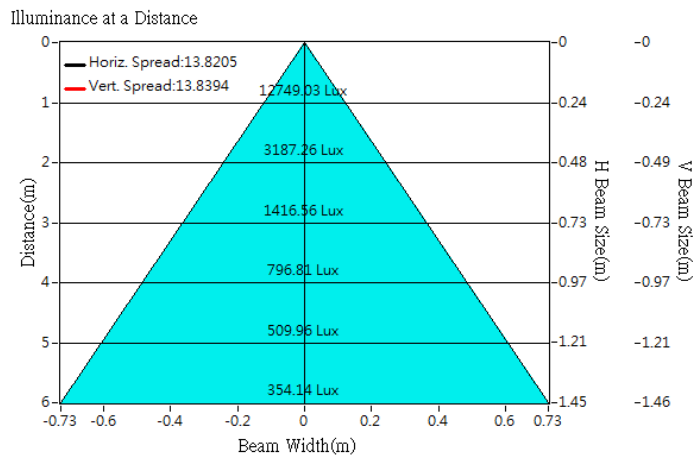
Optical Characteristics

Model Number	CKO-CH15-045021-1601	<p>"H" definition</p> 
LED	CLU 700	
LES / LED Size	Φ 6 mm	
FWHM (D50)	13°	
Field Angle (D10)	30°	
H (distance)	2.5mm	
Dimension	Φ =45 mm, Thickness=20.9 mm	
Luminous Flux	1372 lm Measured @ 14.5 W	
Material	PC / UL94V2	

cd/klm



Illuminance At Distances

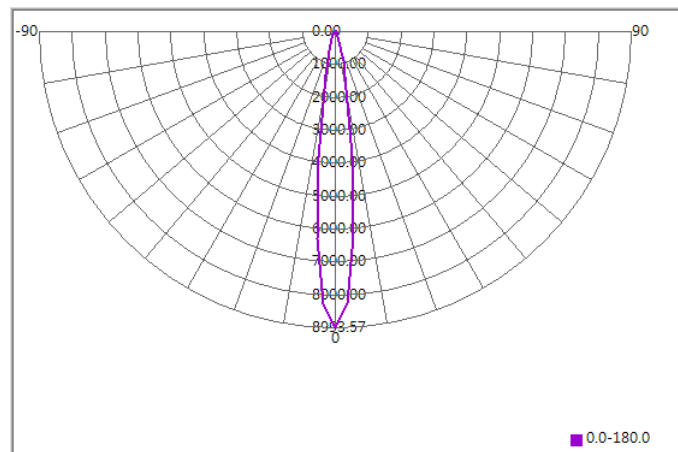




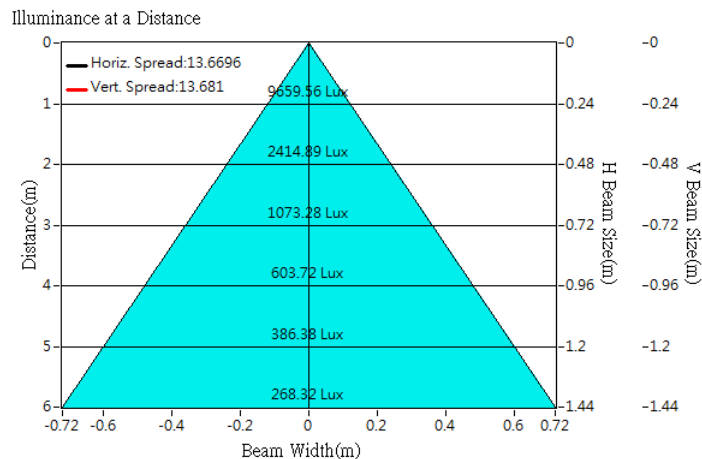
Optical Characteristics

Model Number	CKO-CH15-045021-1601		<p>"H" definition</p>
LED	CLU 701		
LES / LED Size	Φ 6 mm		
FWHM (D50)	13°		
Field Angle (D10)	30°		
H (distance)	2.5mm		
Dimension	Φ =45 mm, Thickness=20.9 mm		
Luminous Flux	1074 lm	Measured @ 10.84 W	
Material	PC / UL94V2		

cd/klm



Illuminance At Distances

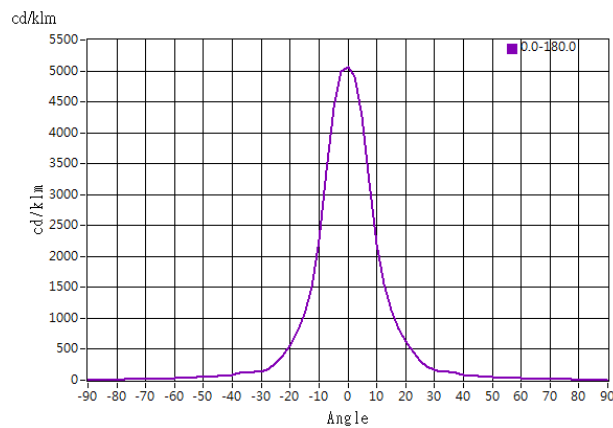




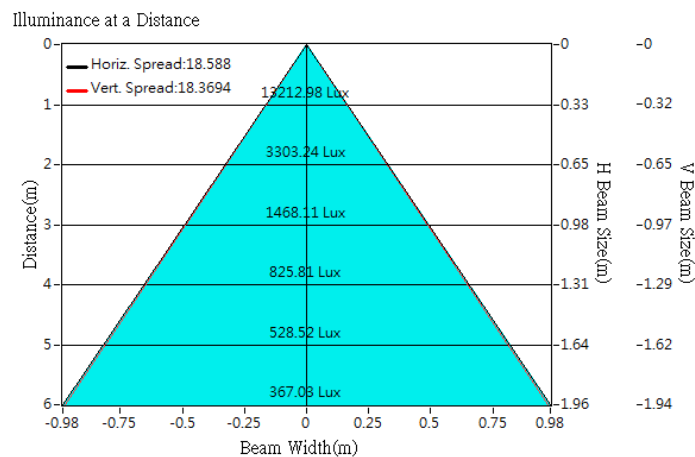
Optical Characteristics

Model Number	CKO-CH15-045021-1601		<p>"H" definition</p>
LED	CLU 710		
LES / LED Size	Φ 8.5 mm		
FWHM (D50)	18°		
Field Angle (D10)	43°		
H (distance)	2.5mm		
Dimension	Φ =45 mm, Thickness=20.9 mm		
Luminous Flux	2613 lm	Measured @ 26.3 W	
Material	PC / UL94V2		

cd/klm

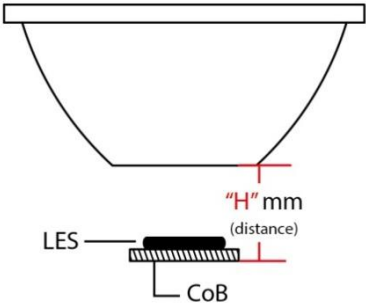


Illuminance At Distances

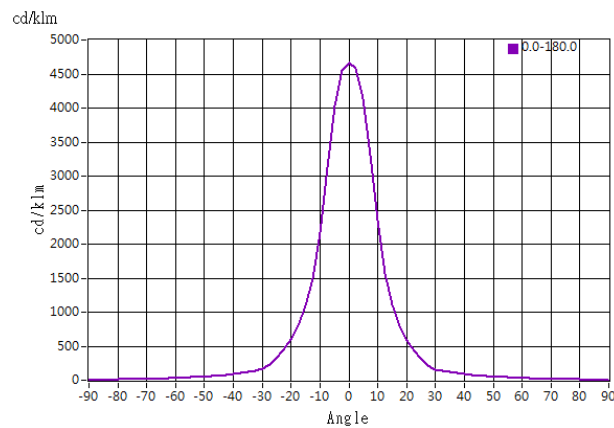




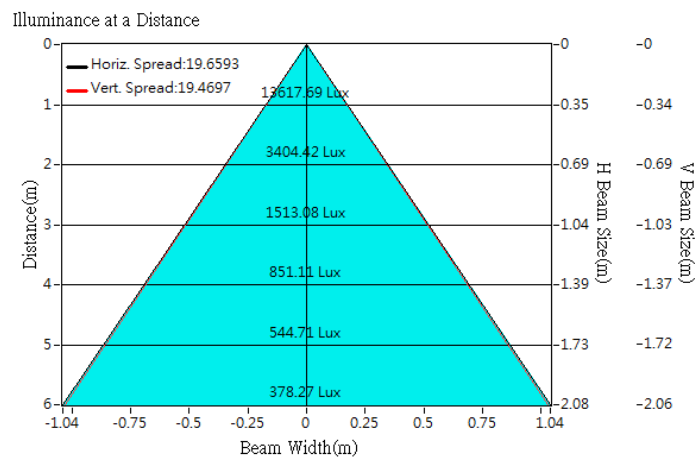
Optical Characteristics

Model Number	CKO-CH15-045021-1601		<p>"H" definition</p> 
LED	CLU 711		
LES / LED Size	Φ 8.5 mm		
FWHM (D50)	19°		
Field Angle (D10)	44°		
H (distance)	2.5mm		
Dimension	Φ =45 mm, Thickness=20.9 mm		
Luminous Flux	2925 lm	Measured @ 25.6 W	
Material	PC / UL94V2		

cd/klm



Illuminance At Distances

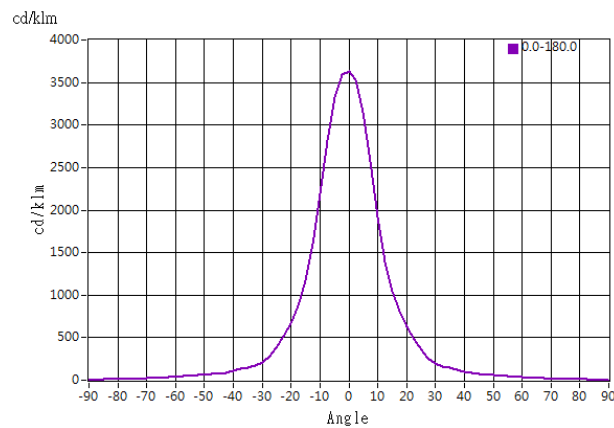




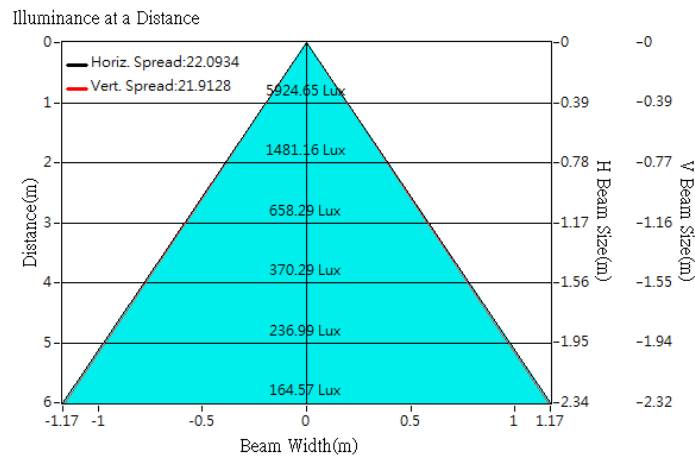
Optical Characteristics

Model Number	CKO-CH15-045021-1601	<p>"H" definition</p>
LED	CLU 026	
LES / LED Size	Φ 9.8 mm	
FWHM (D50)	22°	
Field Angle (D10)	50°	
H (distance)	2.5mm	
Dimension	Φ =45 mm, Thickness=20.9 mm	
Luminous Flux	1630 lm	
Material	PC / UL94V2	

cd/klm



Illuminance At Distances

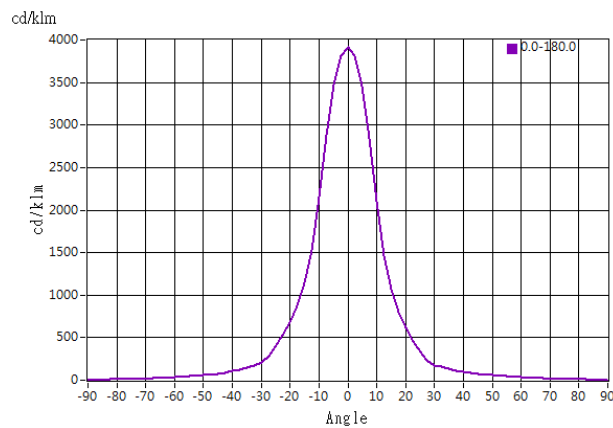




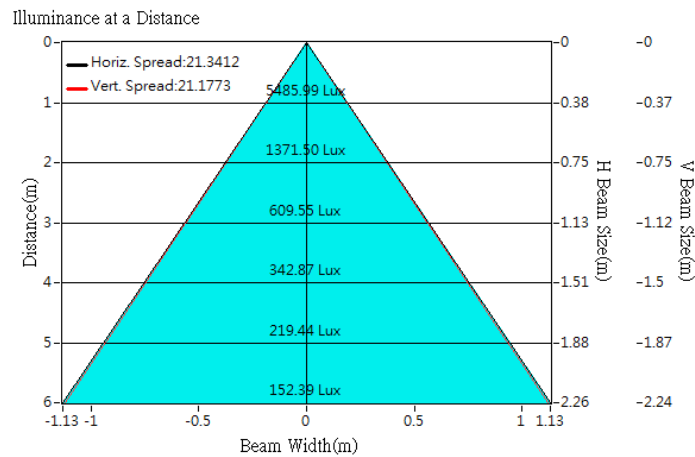
Optical Characteristics

Model Number	CKO-CH15-045021-1601	<p>"H" definition</p>
LED	CLU 028	
LES / LED Size	Φ 9.8 mm	
FWHM (D50)	21°	
Field Angle (D10)	49°	
H (distance)	2.5mm	
Dimension	Φ =45 mm, Thickness=20.9 mm	
Luminous Flux	1402 lm	
Material	PC / UL94V2	

cd/klm



Illuminance At Distances

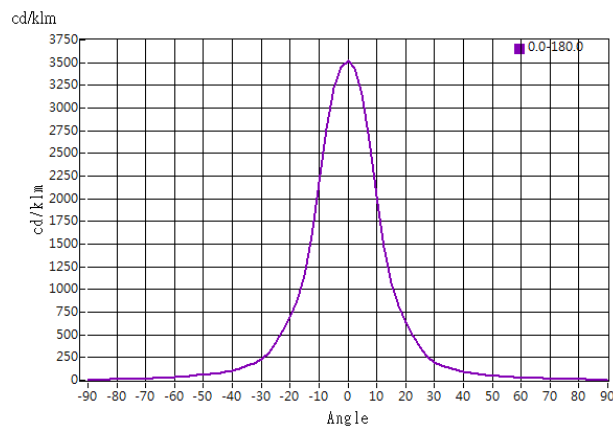




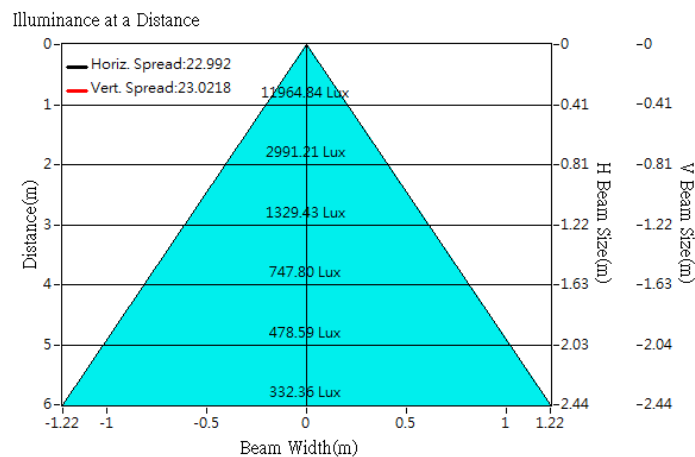
Optical Characteristics

Model Number	CKO-CH15-045021-1601	<p>"H" definition</p>
LED	CLU 720	
LES / LED Size	Φ 11 mm	
FWHM (D50)	23°	
Field Angle (D10)	51°	
H (distance)	2.5mm	
Dimension	Φ =45 mm, Thickness=20.9 mm	
Luminous Flux	3404 lm	
Material	PC / UL94V2	

cd/klm



Illuminance At Distances

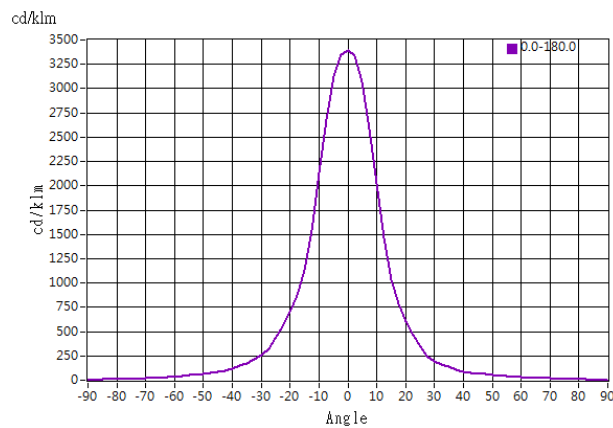




Optical Characteristics

Model Number	CKO-CH15-045021-1601	<p>"H" definition</p>
LED	CLU 721	
LES / LED Size	Φ 11 mm	
FWHM (D50)	23°	
Field Angle (D10)	52°	
H (distance)	2.5mm	
Dimension	Φ =45 mm, Thickness=20.9 mm	
Luminous Flux	4123 lm	
Material	PC / UL94V2	

cd/klm



Illuminance At Distances

