



## Product Model Number

CKO-CH15-060027-4309

### ✓ Model Number Definitions

**CKO-XXXX-XXXXXX-XXXX**

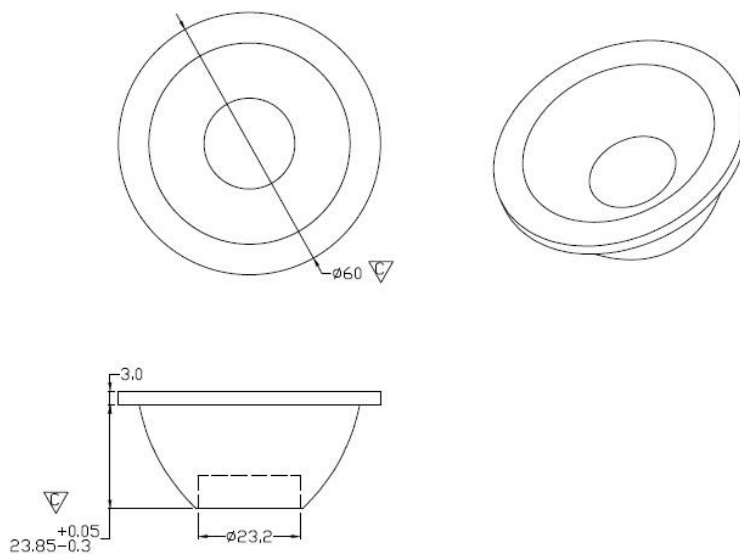


- A. Chun Kuang Optics Corp. Product
- B. Product Type: product abbreviation  
Ex:  
CH→CoB High Intensity  
CC→CoB Compact  
CS→Soft Shading for CoB LED  
HC→Holder for CoB LED

- C. Identity Code
- D. Lens / Fixture Size  
Ex: 075026=Φ75mm / Thickness=26mm (round up)
- E. Serial Numbers

The lens datasheet is applicable for **Citizen LED**, that manufactured by Chun Kuang Optics Corp.

### ✓ Dimensions (mm) : Φ60 x 26.85

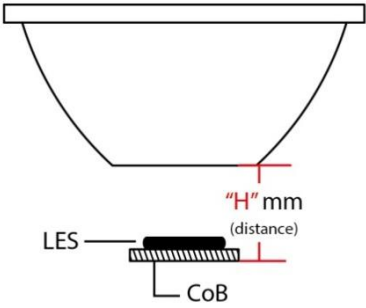


▽:Critical Dimension

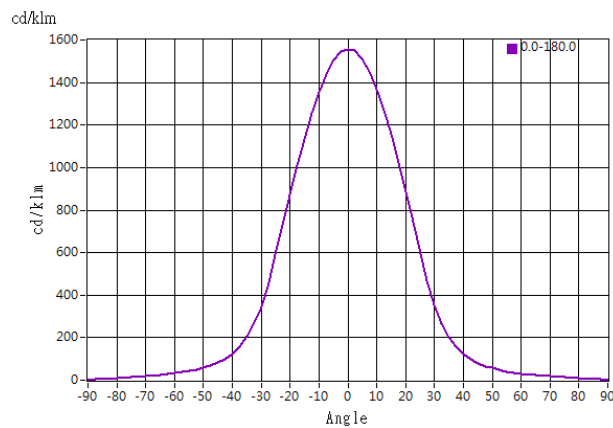




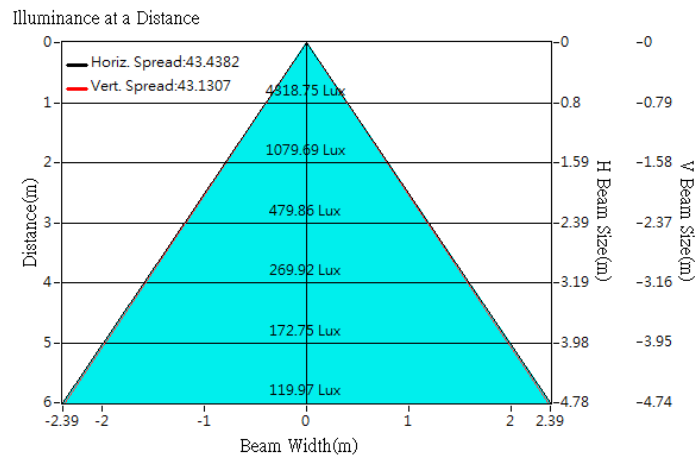
## Optical Characteristics

Model Number	CKO-CH15-060027-4309	<p>"H" definition</p> 
LED	<b>CLU 711</b>	
LES / LED Size	Φ 8.5 mm	
FWHM (D50)	43°	
Field Angle (D10)	75°	
H (distance)	3.65 mm	
Dimension	Φ =60 mm, Thickness=26.85 mm	
Luminous Flux	2772 lm	
Material	PC / UL94V2	

## cd/klm

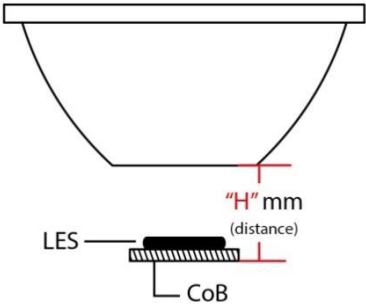


## Illuminance At Distances

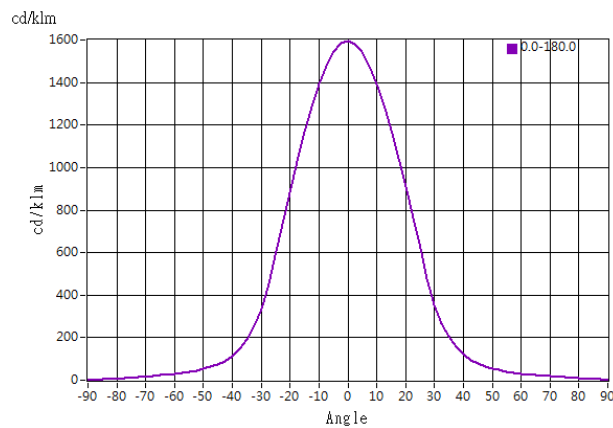




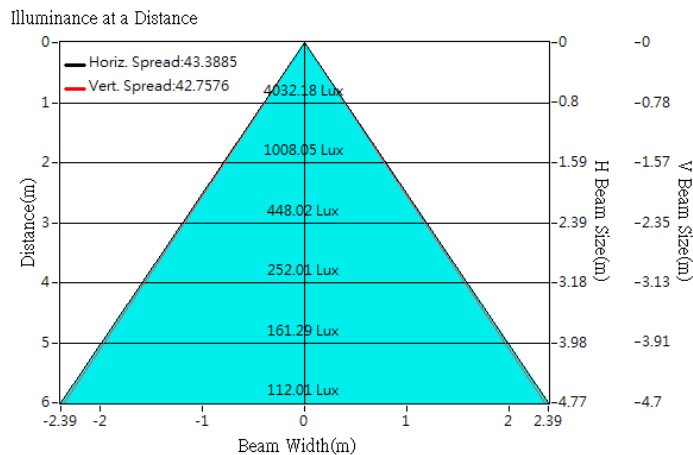
## Optical Characteristics

Model Number	CKO-CH15-060027-4309		<p>"H" definition</p> 
LED	<b>CLU 710</b>		
LES / LED Size	Φ 8.5 mm		
FWHM (D50)	43°		
Field Angle (D10)	74°		
H (distance)	3.65 mm		
Dimension	Φ =60 mm, Thickness=26.85 mm		
Luminous Flux	2531 lm	Measured @ 26.7 W	
Material	PC / UL94V2		

## cd/klm



## Illuminance At Distances

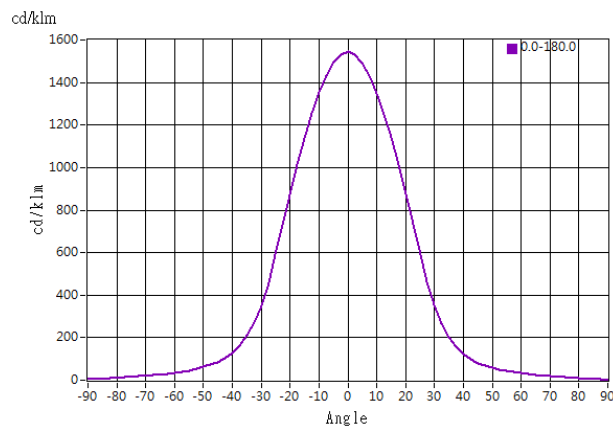




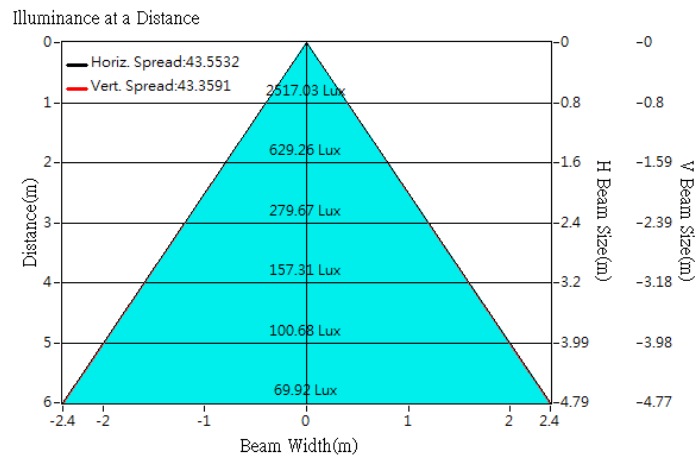
## Optical Characteristics

Model Number	CKO-CH15-060027-4309	<p>"H" definition</p>
LED	<b>CLU 028</b>	
LES / LED Size	Φ 9.8 mm	
FWHM (D50)	44°	
Field Angle (D10)	76°	
H (distance)	3.65 mm	
Dimension	Φ =60 mm, Thickness=26.85 mm	
Luminous Flux	1629 lm	
Material	PC / UL94V2	

## cd/klm



## Illuminance At Distances

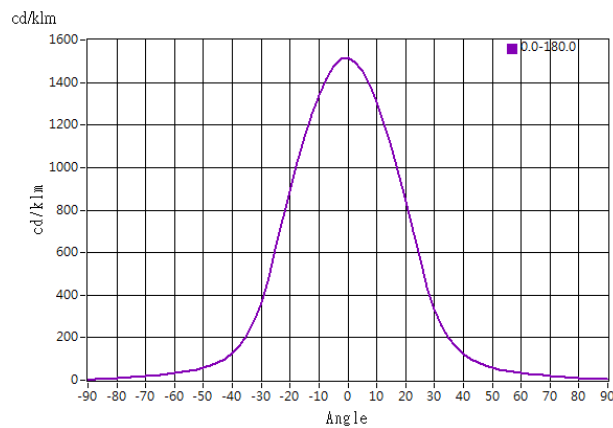




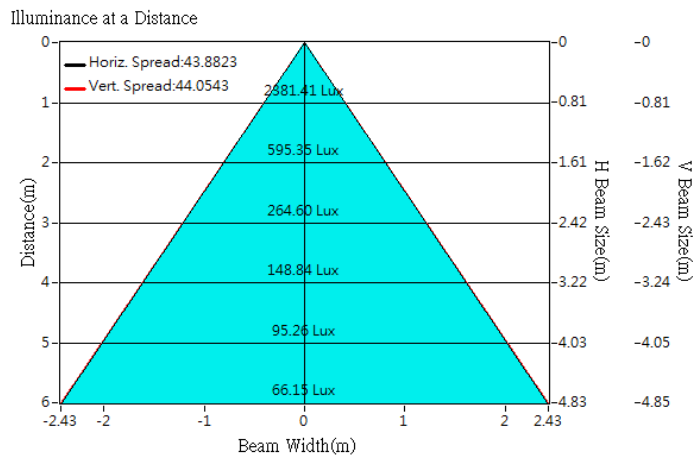
## Optical Characteristics

Model Number	CKO-CH15-060027-4309		<p>"H" definition</p>
LED	CLU 026		
LES / LED Size	Φ 9.8 mm		
FWHM (D50)	44°		
Field Angle (D10)	76°		
H (distance)	3.65 mm		
Dimension	Φ =60 mm, Thickness=26.85 mm		
Luminous Flux	1571 lm	Measured @ 12.4 W	
Material	PC / UL94V2		

## cd/klm



## Illuminance At Distances

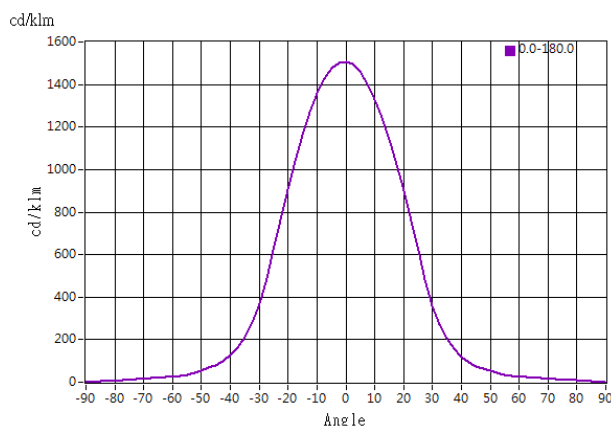




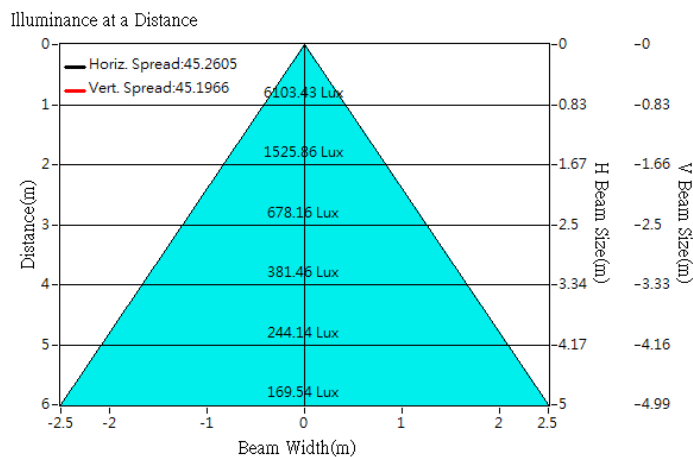
## Optical Characteristics

Model Number	CKO-CH15-060027-4309	<p>"H" definition</p>
LED	<b>CLU 721</b>	
LES / LED Size	Φ 11 mm	
FWHM (D50)	45°	
Field Angle (D10)	76°	
H (distance)	3.65 mm	
Dimension	Φ =60 mm, Thickness=26.85 mm	
Luminous Flux	4057 lm	
Material	PC / UL94V2	

## cd/klm



## Illuminance At Distances

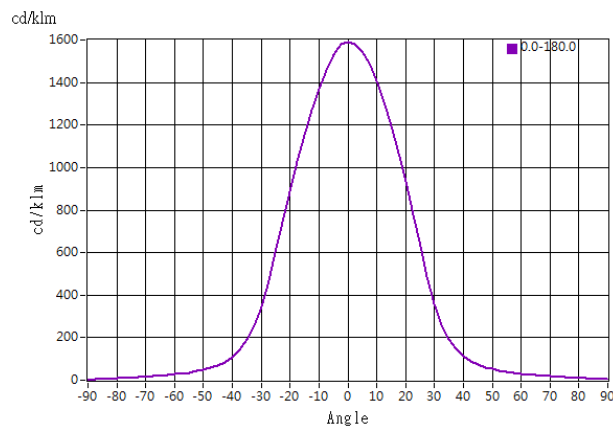




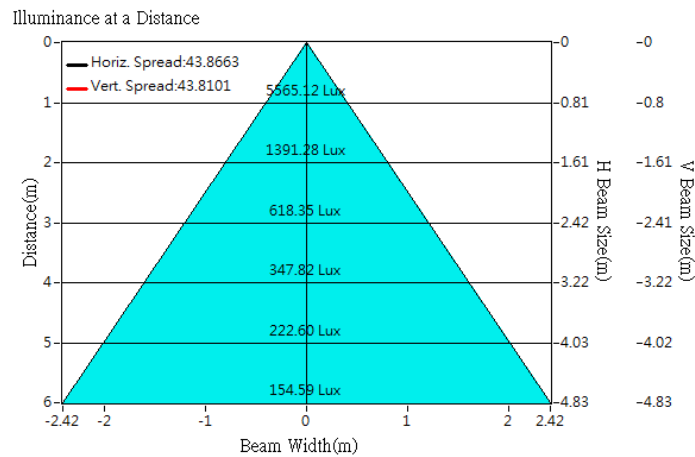
## Optical Characteristics

Model Number	CKO-CH15-060027-4309	<p>"H" definition</p> <p>LES CoB</p>
LED	<b>CLU 720</b>	
LES / LED Size	Φ 11 mm	
FWHM (D50)	44°	
Field Angle (D10)	74°	
H (distance)	3.65 mm	
Dimension	Φ =60 mm, Thickness=26.85 mm	
Luminous Flux	3500 lm	
Material	PC / UL94V2	

## cd/klm



## Illuminance At Distances

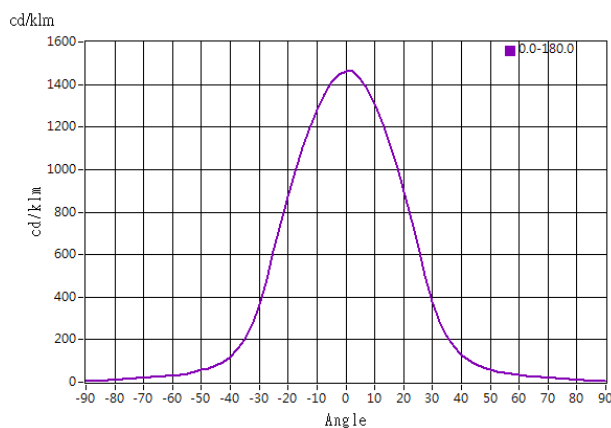




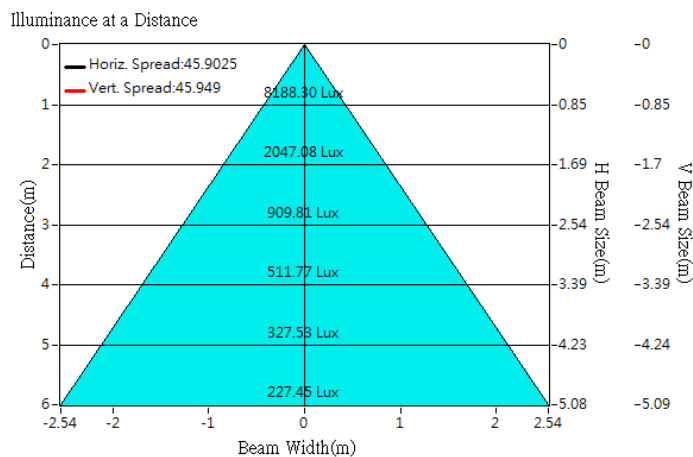
## Optical Characteristics

Model Number	CKO-CH15-060027-4309	<p>"H" definition</p> <p>LES CoB</p>
LED	<b>CLU 730</b>	
LES / LED Size	Φ 13 mm	
FWHM (D50)	46°	
Field Angle (D10)	77°	
H (distance)	3.65 mm	
Dimension	Φ =60 mm, Thickness=26.85 mm	
Luminous Flux	5592 lm	
Material	PC / UL94V2	

## cd/klm



## Illuminance At Distances

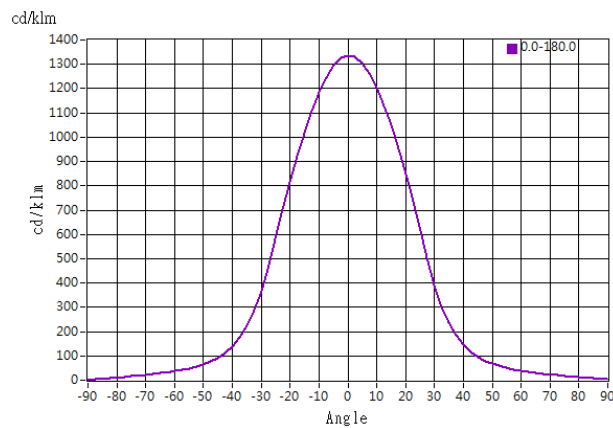




## Optical Characteristics

Model Number	CKO-CH15-060027-4309	<p>"H" definition</p>
LED	<b>CLU 038</b>	
LES / LED Size	Φ 14.5 mm	
FWHM (D50)	47°	
Field Angle (D10)	82°	
H (distance)	3.65 mm	
Dimension	Φ =60 mm, Thickness=26.85 mm	
Luminous Flux	2706 lm	
Material	PC / UL94V2	

## cd/klm



## Illuminance At Distances

