



## Product Model Number

**CKO-CH15-075033-4401**

### ✓ Model Number Definitions

**CKO-XXXX-XXXXXX-XXXX**

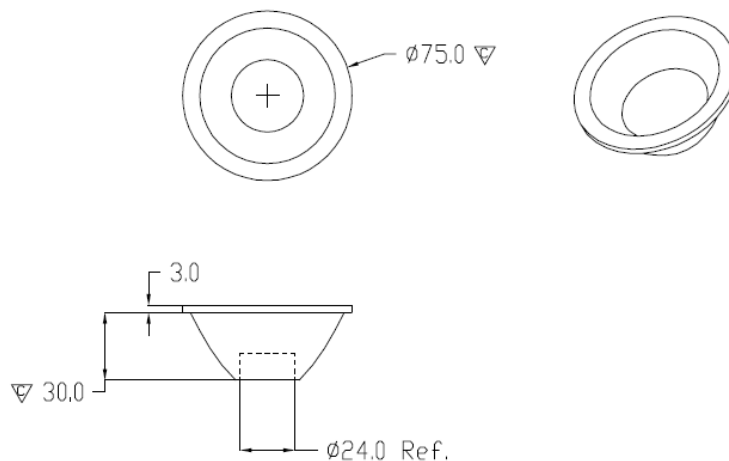


- A. Chun Kuang Optics Corp. Product
- B. Product Type: product abbreviation  
Ex:  
CH→CoB High Intensity  
CC→CoB Compact  
CS→Soft Shading for CoB LED  
HC→Holder for CoB LED

- C. Identity Code
- D. Lens / Fixture Size  
Ex: 075026=Φ75mm / Thickness=26mm (round up)
- C. Serial Numbers

The lens datasheet is applicable for **TRIDONIC LED**, that manufactured by Chun Kuang Optics Corp.

### ✓ Dimensions (mm) : Φ75 x 33

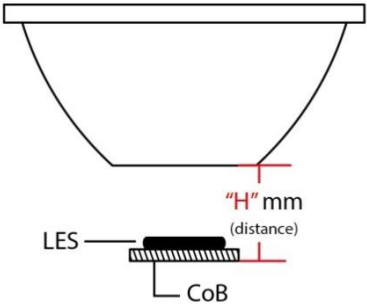


▽:Critical Dimension

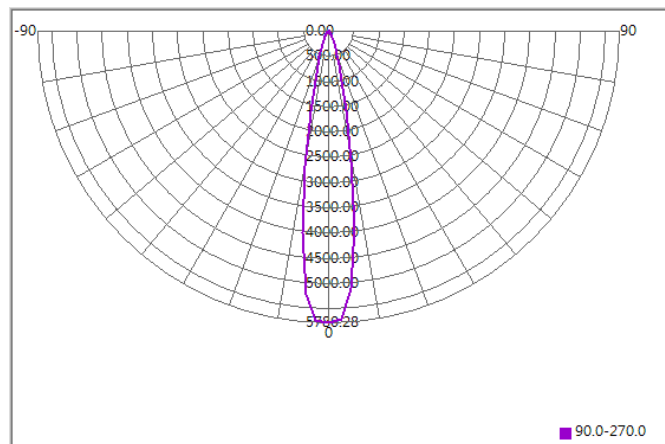




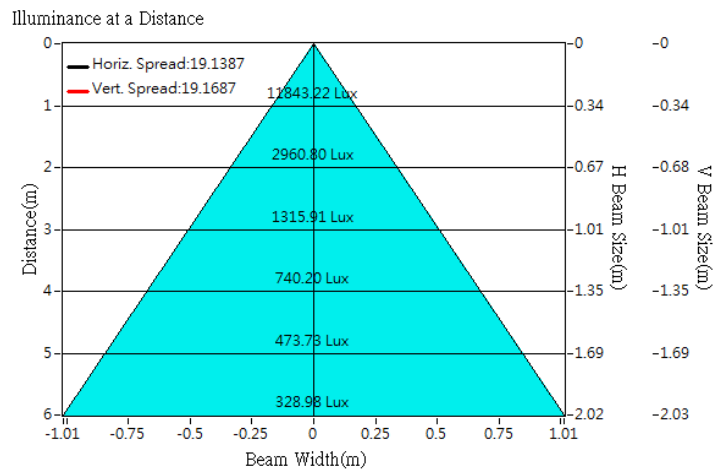
## Optical Characteristics

Model Number	CKO-CH15-075033-4401		<p>"H" definition</p> 
LED	SLE G7 13mm 3000lm 930 R ADV		
LES / LED Size	Φ 13 mm		
FWHM (D50)	19°		
Field Angle (D10)	38°		
H (distance)	3.65mm		
Dimension	Φ =75 mm, Thickness=33 mm		
Luminous Flux	2049 lm	Measured @ 17.9 W	
Material	PC / UL94V2		

## cd/klm

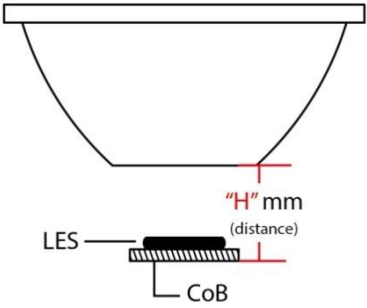


## Illuminance At Distances

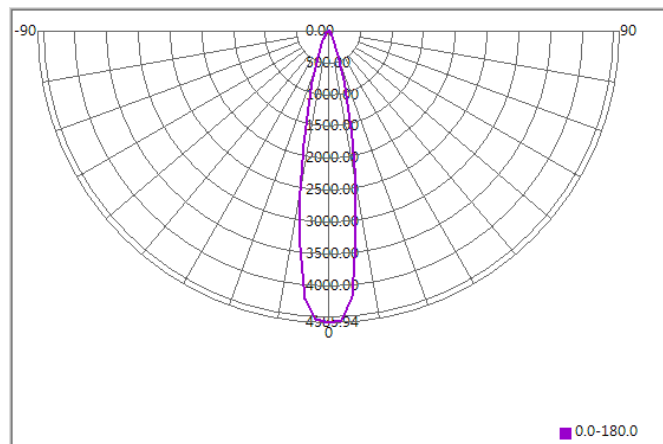




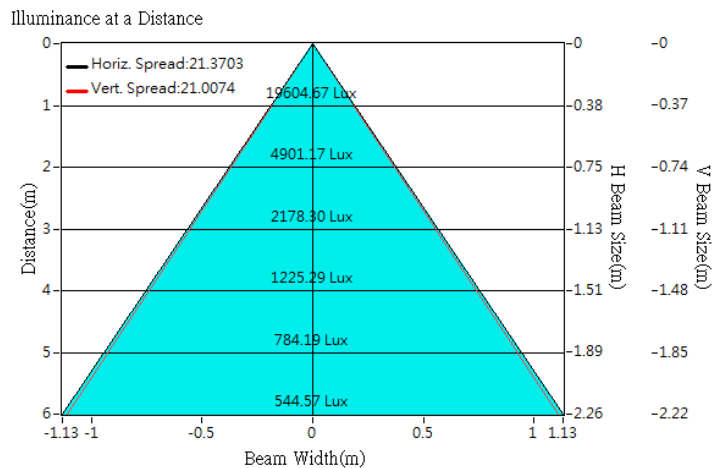
## Optical Characteristics

Model Number	CKO-CH15-075033-4401		<p>"H" definition</p> 
LED	SLE G7 15mm 4000lm 840 R ADV		
LES / LED Size	Φ 15 mm		
FWHM (D50)	21°		
Field Angle (D10)	44°		
H (distance)	3.65mm		
Dimension	Φ =75 mm, Thickness=33 mm		
Luminous Flux	4275 lm	Measured @ 33.3 W	
Material	PC / UL94V2		

## cd/klm



## Illuminance At Distances

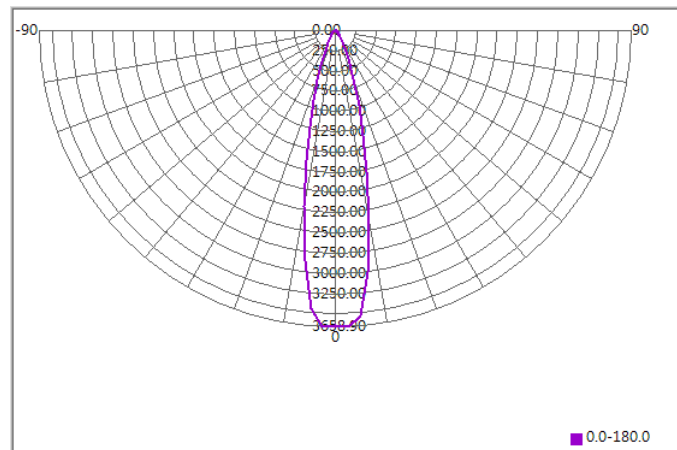




## Optical Characteristics

Model Number	CKO-CH15-075033-4401		
LED	SLE G7 17mm 5000lm 830 R ADV		
LES / LED Size	Φ 17 mm		
FWHM (D50)	24°		
Field Angle (D10)	50°		
H (distance)	3.65mm		
Dimension	Φ =75 mm, Thickness=33 mm		
Luminous Flux	4791 lm	Measured @ 38.2 W	
Material	PC / UL94V2		

## cd/klm



## Illuminance At Distances

