



Product Model Number

CKO-CH15-085040-5003

✓ Model Number Definitions

CKO-XXXX-XXXXXX-XXXX

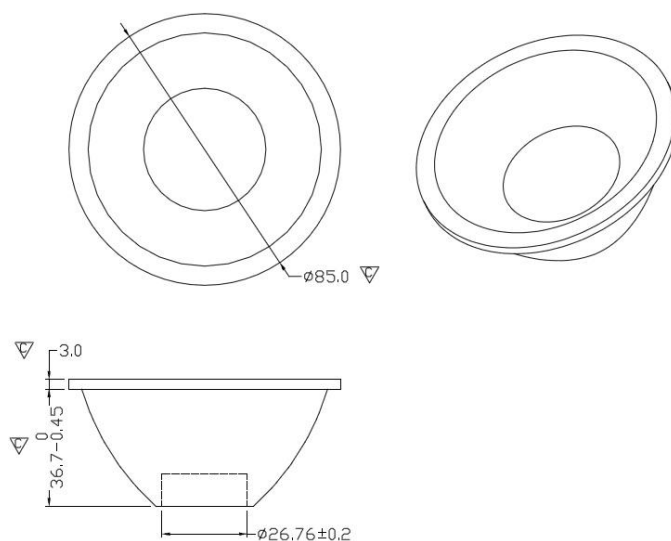


- A. Chun Kuang Optics Corp. Product
- B. Product Type: product abbreviation
Ex:
CH→CoB High Intensity
CC→CoB Compact
CS→Soft Shading for CoB LED
HC→Holder for CoB LED

- C. Identity Code
- D. Lens / Fixture Size
Ex: 075026=Φ75mm / Thickness=26mm (round up)
- C. Serial Numbers

The lens datasheet is applicable for **Luminus LED**, that manufactured by Chun Kuang Optics Corp.

✓ Dimensions (mm) : Φ85 x 39.7



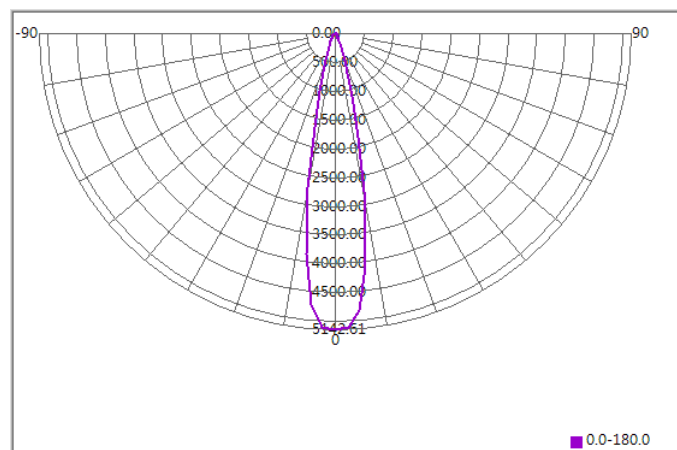
▽:Critical Dimension



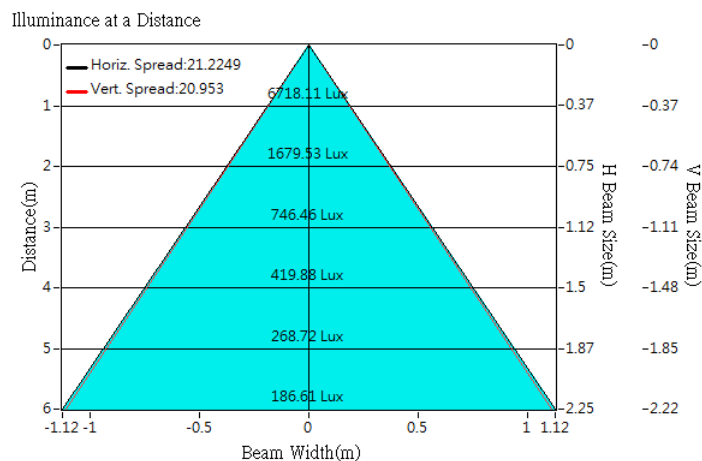
Optical Characteristics

Model Number	CKO-CH15-085040-5003	<p>"H" definition</p>
LED	CXM-9-AC30	
LES / LED Size	Φ 9.6 mm	
FWHM (D50)	21°	
Field Angle (D10)	39°	
H (distance)	3.65 mm	
Dimension	Φ =85 mm, Thickness=39.7 mm	
Luminous Flux	1306 lm	
Material	PC / UL94V2	

cd/klm



Illuminance At Distances

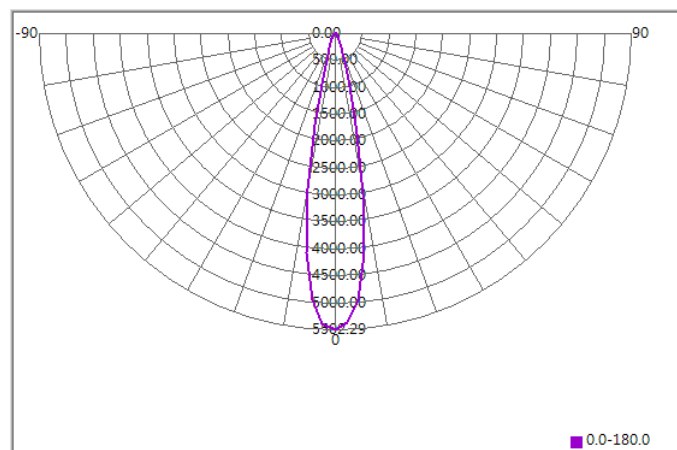




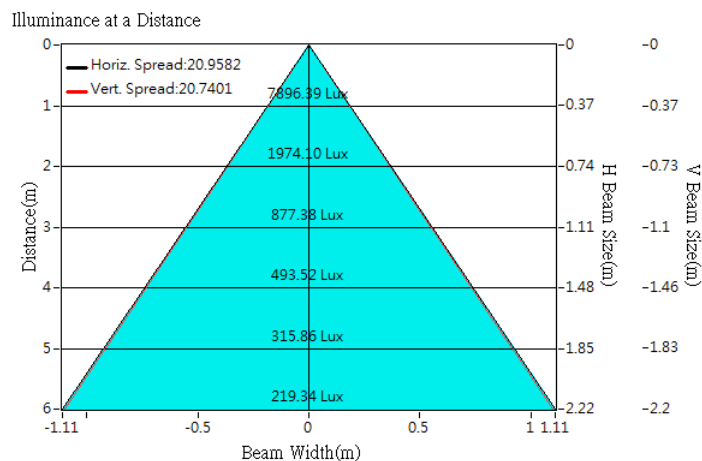
Optical Characteristics

Model Number	CKO-CH15-085040-5003		<p>"H" definition</p>
LED	CXM-9-AC40		
LES / LED Size	Φ 9.8 mm		
FWHM (D50)	21°		
Field Angle (D10)	38°		
H (distance)	3.65 mm		
Dimension	Φ =85 mm, Thickness=39.7 mm		
Luminous Flux	1435 lm	Measured @ 12 W	
Material	PC / UL94V2		

cd/klm



Illuminance At Distances

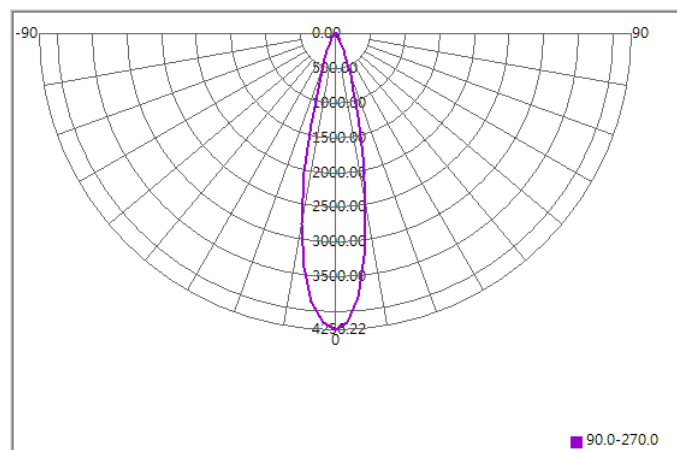




Optical Characteristics

Model Number	CKO-CH15-085040-5003		<p>"H" definition</p> <p>LES CoB</p>
LED	CLM-14-AC40		
LES / LED Size	Φ 14.5 mm		
FWHM (D50)	24°		
Field Angle (D10)	45°		
H (distance)	3.65 mm		
Dimension	Φ =85 mm, Thickness=39.7 mm		
Luminous Flux	2417 lm	Measured @ 16.7 W	
Material	PC / UL94V2		

cd/klm



Illuminance At Distances

