



Product Model Number

CKO-CH15-092043-2401

✓ Model Number Definitions

CKO-XXXX-XXXXXX-XXXX

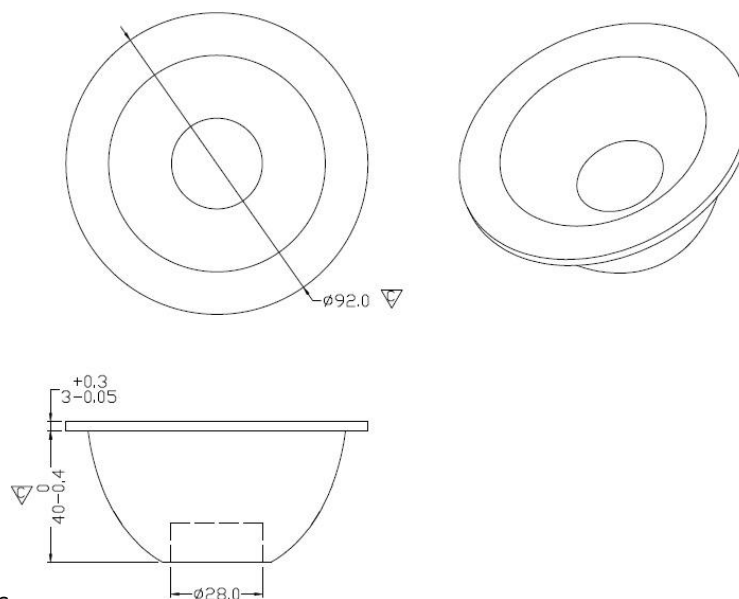


- A. Chun Kuang Optics Corp. Product
- B. Product Type: product abbreviation
Ex:
CH→CoB High Intensity
CC→CoB Compact
CS→Soft Shading for CoB LED
HC→Holder for CoB LED

- C. Identity Code
- D. Lens / Fixture Size
Ex: 075026=Φ75mm / Thickness=26mm (round up)
- C. Serial Numbers

The lens datasheet is applicable for **Luminus LED**, that manufactured by Chun Kuang Optics Corp.

✓ Dimensions (mm) : Φ92 x 43



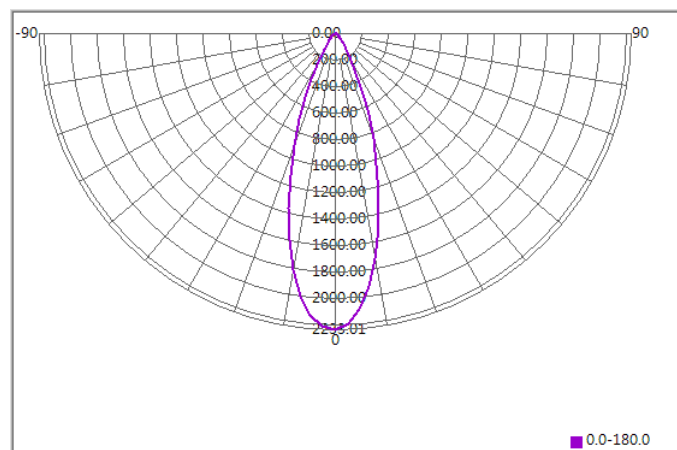
▽:Critical Dimensions



Optical Characteristics

Model Number	CKO-CH15-092043-2401		<p>"H" definition</p>
LED	CLM-14-AC40		
LES / LED Size	Φ14.5 mm		
FWHM (D50)	34°		
Field Angle (D10)	63°		
H (distance)	3.65 mm		
Dimension	Φ =92 mm, Thickness=43 mm		
Luminous Flux	2371 lm	Measured @ 16.7 W	
Material	PC / UL94V2		

cd/klm



Illuminance At Distances

