



## Product Model Number

**CKO-CH15-110058-3701**

### ✓ Model Number Definitions

**CKO-XXXX-XXXXXX-XXXX**

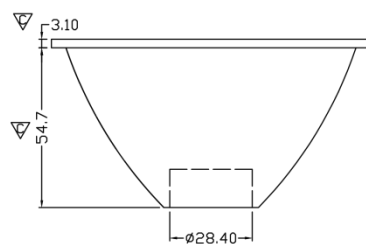
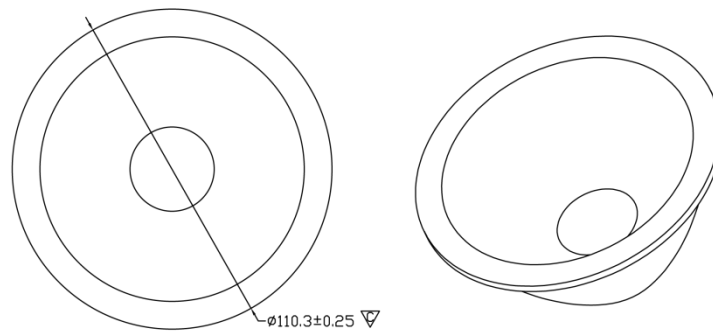


- A. Chun Kuang Optics Corp. Product
- B. Product Type: product abbreviation  
Ex:  
CH→CoB High Intensity  
CC→CoB Compact  
CS→Soft Shading for CoB LED  
HC→Holder for CoB LED

- C. Identity Code
- D. Lens / Fixture Size  
Ex: 075026=Φ75mm / Thickness=26mm (round up)
- C. Serial Numbers

The lens datasheet is applicable for **CREE LED**, that manufactured by Chun Kuang Optics Corp.

### ✓ Dimensions (mm) : Φ110 x 58



▽:Critical Dimension



✓ Optical Characteristics – Angle Performances

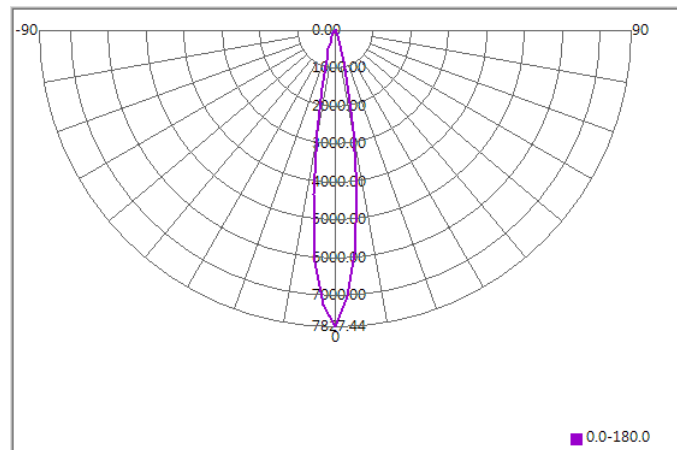
CREE	LED LES (mm)	FWHM (degrees)	Field Angle (degrees)
CXA1820	Φ12	16°	32°
CXB1820	Φ12	15°	32°
CMA1825	Φ12	16°	31°
CXA1830	Φ14	18°	30°
CXB1830	Φ14	18°	34°
CMA1840	Φ14	18°	35°
CMT1922	Φ14.5	18°	35°
CMT1925	Φ14.5	17°	35°
CMT1930	Φ14.5	18°	35°
CMT1945	Φ14.5	18°	35°
CXA2520	Φ19	21°	40°
CXA2530	Φ19	19°	38°
CXB2530	Φ19	19°	42°
CXA2540	Φ19	19°	39°
CXB2540	Φ19	21°	43°
CMA2550	Φ19	22°	45°
CMT2850	Φ22	23°	47°
CMT2890	Φ22	25°	50°
CXA3050	Φ23	24°	49°
CXB3050	Φ23	26°	53°
CXA3070	Φ23	23°	48°
CMA3090	Φ23	26°	53°



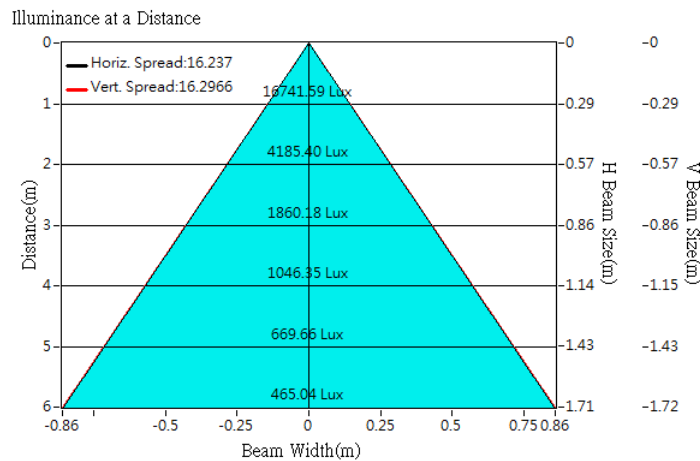
## Optical Characteristics

Model Number	CKO-CH15-110058-3701		<p>"H" definition</p> <p>LES CoB</p>
LED	<b>CXA1820</b>		
LES / LED Size	Φ 12 mm		
FWHM (D50)	16°		
Field Angle (D10)	32°		
H (distance)	4 mm		
Dimension	Φ =110 mm, Thickness=58 mm		
Luminous Flux	2138 lm	Measured @ 20.7 W	
Material	PC / UL94V2		

## cd/klm



## Illuminance At Distances

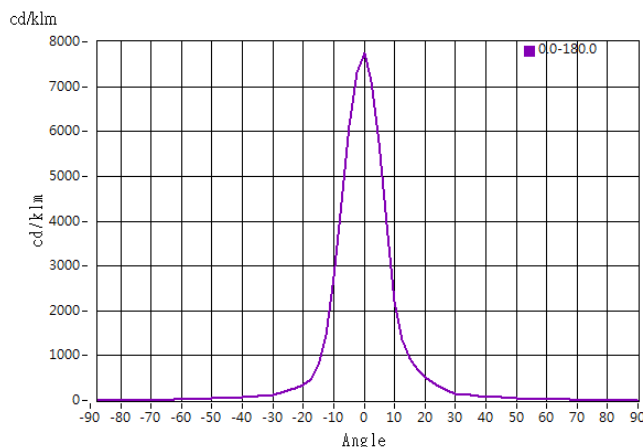




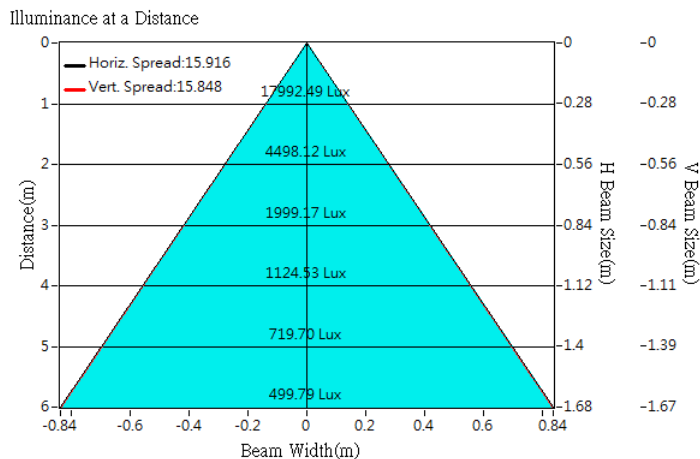
## Optical Characteristics

Model Number	CKO-CH15-110058-3701		<p>"H" definition</p>
LED	<b>CXB1820</b>		
LES / LED Size	Φ 12 mm		
FWHM (D50)	15°		
Field Angle (D10)	32°		
H (distance)	4 mm		
Dimension	Φ =110 mm, Thickness=58 mm		
Luminous Flux	2322 lm	Measured @ 19.4 W	
Material	PC / UL94V2		

## cd/klm



## Illuminance At Distances

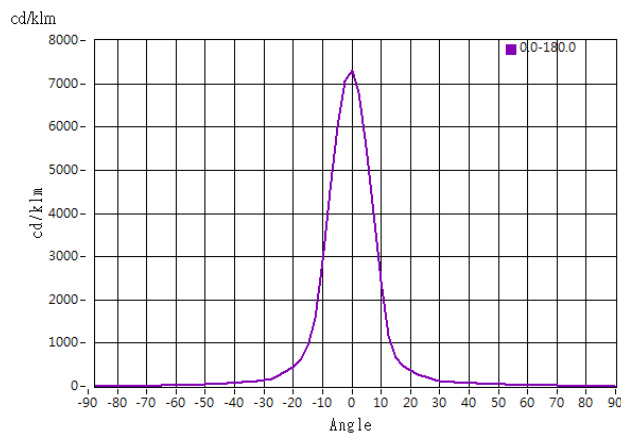




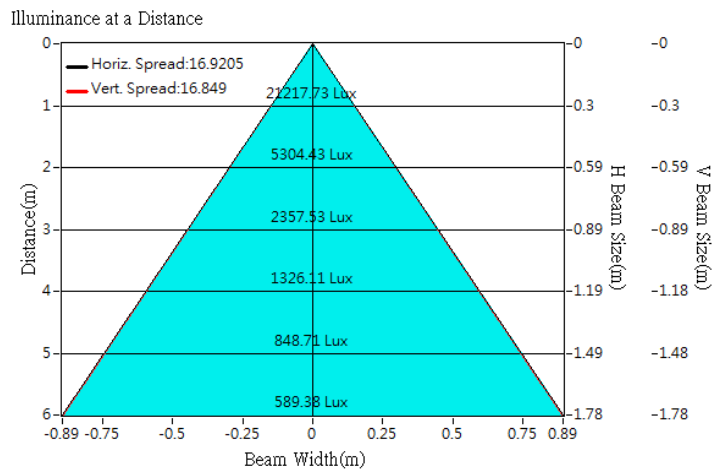
## Optical Characteristics

Model Number	CKO-CH15-110058-3701		<p>"H" definition</p>
LED	<b>CMA1825</b>		
LES / LED Size	Φ 12 mm		
FWHM (D50)	16°		
Field Angle (D10)	31°		
H (distance)	4 mm		
Dimension	Φ =110 mm, Thickness=58 mm		
Luminous Flux	2900 lm	Measured @ 24.9 W	
Material	PC / UL94V2		

## cd/klm

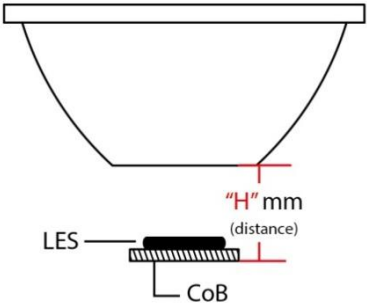


## Illuminance At Distances

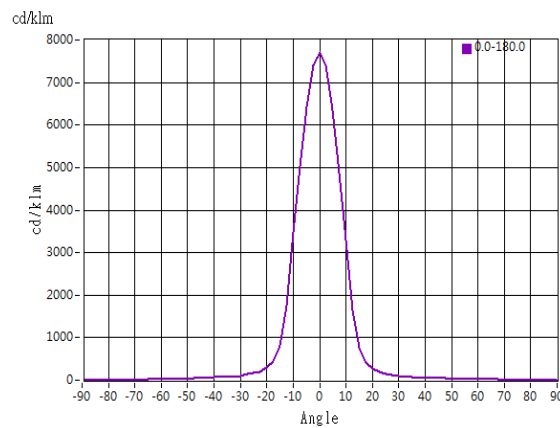




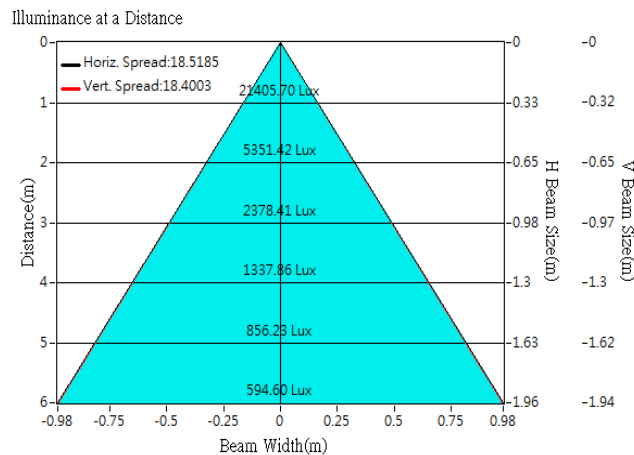
## Optical Characteristics

Model Number	CKO-CH15-110058-3701		<p>"H" definition</p> 
LED	<b>CREE CXA1830</b>		
LES / LED Size	Φ 14 mm		
FWHM (D50)	18°		
Field Angle (D10)	30°		
H (distance)	4 mm		
Dimension	Φ =110 mm, Thickness=58 mm		
Luminous Flux	2778 lm	Measured @ 28.8 W	
Material	PC / UL94V2		

## cd/klm



## Illuminance At Distances

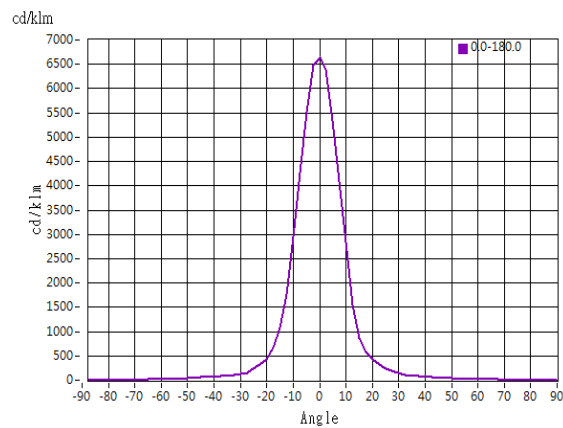




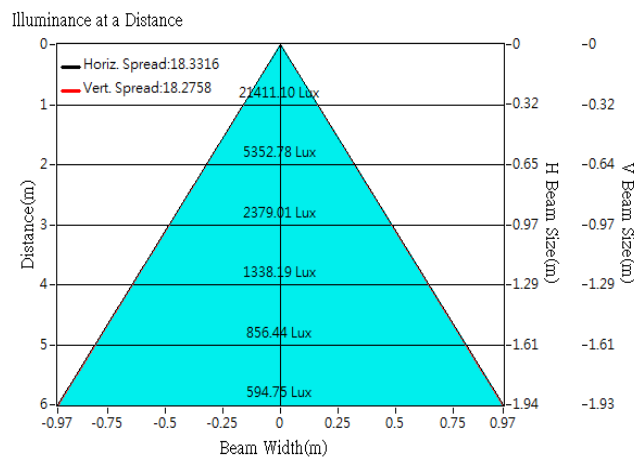
## Optical Characteristics

Model Number	CKO-CH15-110058-3701		<p>"H" definition</p>
LED	<b>CREE CXB1830</b>		
LES / LED Size	Φ 14 mm		
FWHM (D50)	18°		
Field Angle (D10)	34°		
H (distance)	4 mm		
Dimension	Φ =110 mm, Thickness=58 mm		
Luminous Flux	3223 lm	Measured @ 28.1 W	
Material	PC / UL94V2		

## cd/klm



## Illuminance At Distances

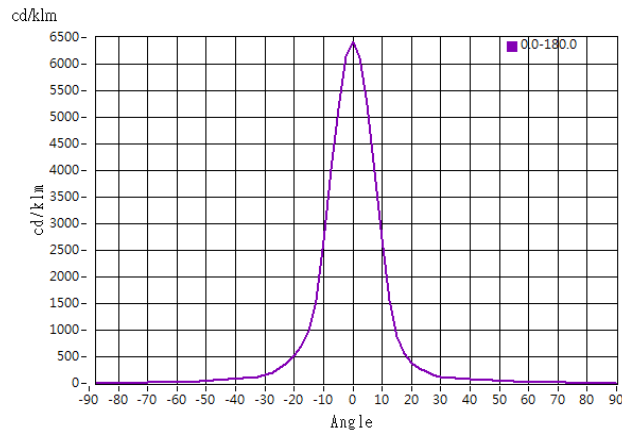




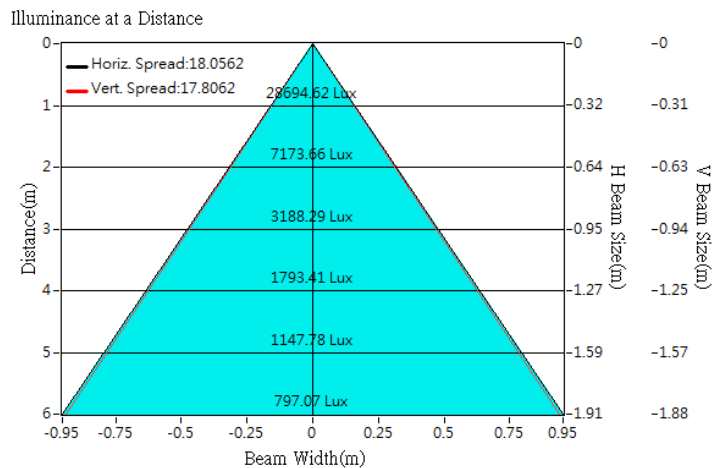
## Optical Characteristics

Model Number	CKO-CH15-110058-3701		<p>"H" definition</p>
LED	<b>CMA1840</b>		
LES / LED Size	Φ 14 mm		
FWHM (D50)	18°		
Field Angle (D10)	35°		
H (distance)	4 mm		
Dimension	Φ =110 mm, Thickness=58 mm		
Luminous Flux	4471 lm	Measured @ 40.1 W	
Material	PC / UL94V2		

## cd/klm



## Illuminance At Distances

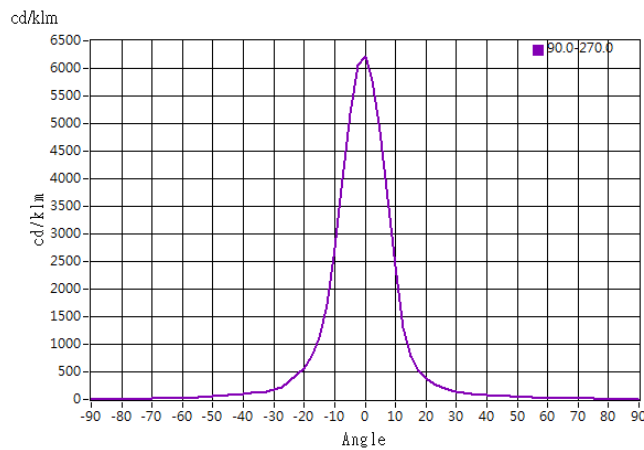




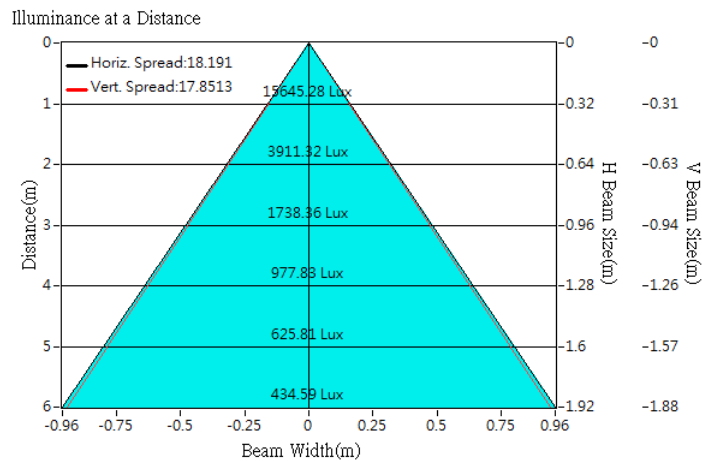
## Optical Characteristics

Model Number	CKO-CH15-110058-3701		<p>"H" definition</p>
LED	<b>CMT1922</b>		
LES / LED Size	Φ 14.5 mm		
FWHM (D50)	18°		
Field Angle (D10)	35°		
H (distance)	4 mm		
Dimension	Φ =110 mm, Thickness=58 mm		
Luminous Flux	2511 lm	Measured @ 22 W	
Material	PC / UL94V2		

## cd/klm

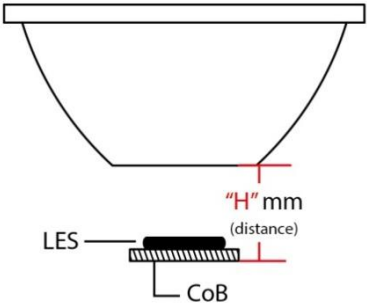


## Illuminance At Distances

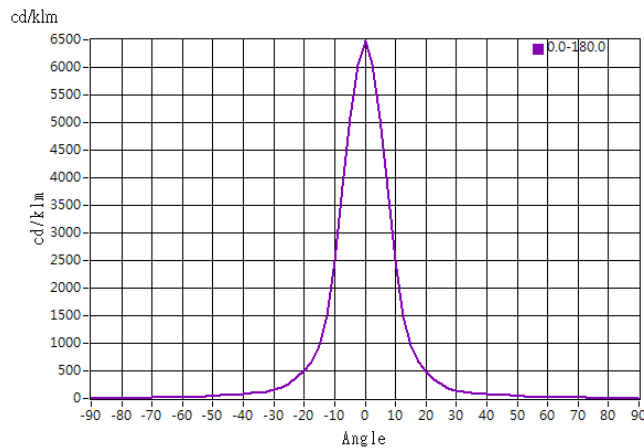




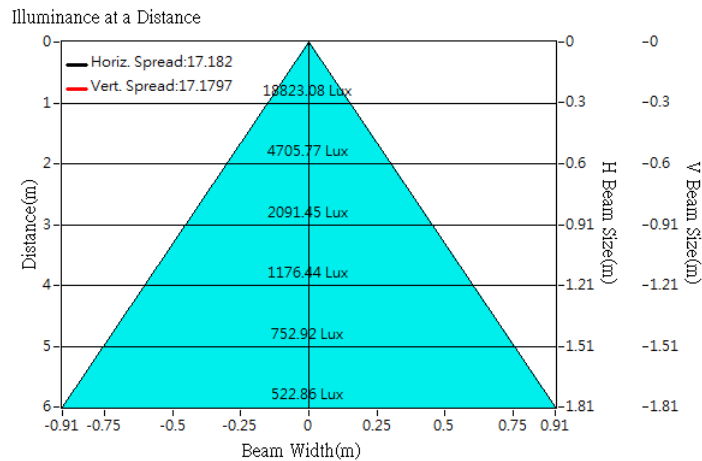
## Optical Characteristics

Model Number	CKO-CH15-110058-3701		<p>"H" definition</p> 
LED	<b>CMT1925</b>		
LES / LED Size	Φ 14.5 mm		
FWHM (D50)	17°		
Field Angle (D10)	35°		
H (distance)	4 mm		
Dimension	Φ =110 mm, Thickness=58 mm		
Luminous Flux	2901 lm	Measured @ 24.3 W	
Material	PC / UL94V2		

## cd/klm



## Illuminance At Distances

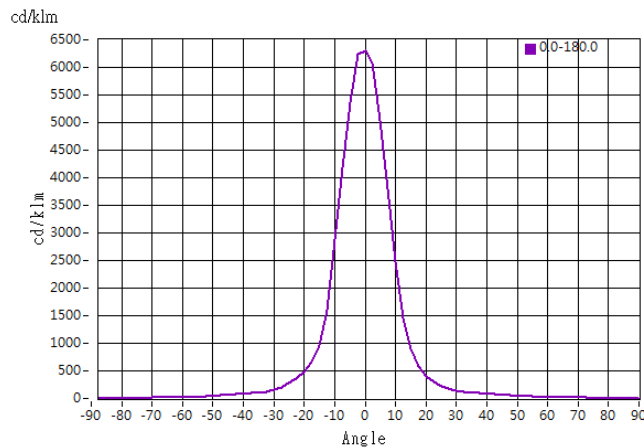




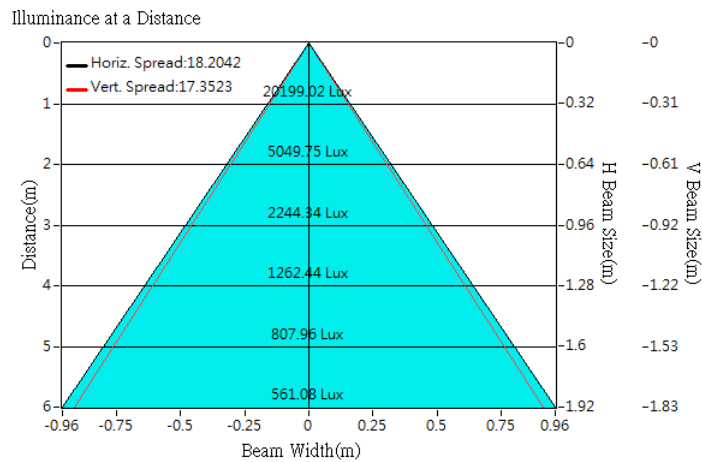
## Optical Characteristics

Model Number	CKO-CH15-110058-3701		<p>"H" definition</p>
LED	<b>CMT1930</b>		
LES / LED Size	Φ 14.5 mm		
FWHM (D50)	18°		
Field Angle (D10)	35°		
H (distance)	4 mm		
Dimension	Φ =110 mm, Thickness=58 mm		
Luminous Flux	3204 lm	Measured @ 28.9 W	
Material	PC / UL94V2		

## cd/klm

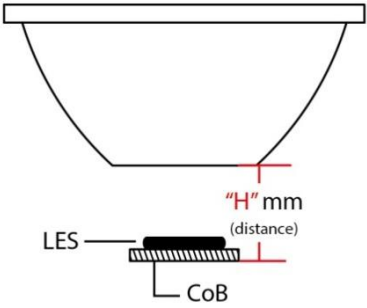


## Illuminance At Distances

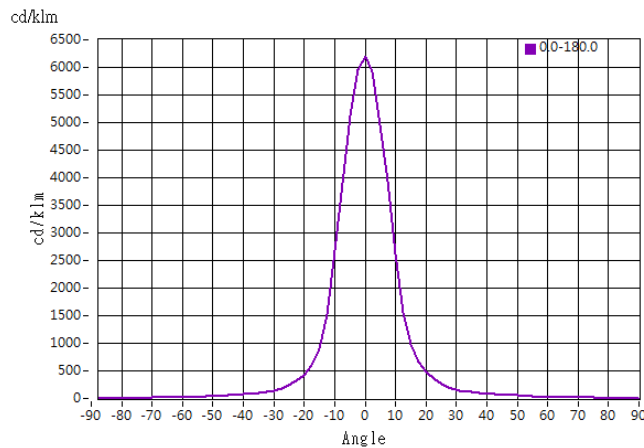




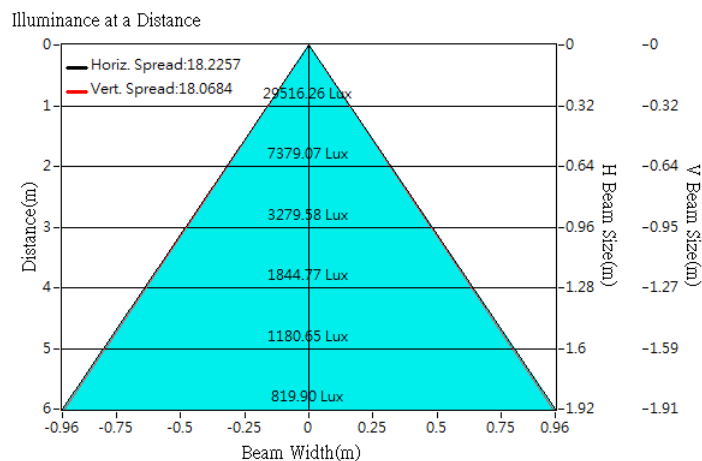
## Optical Characteristics

Model Number	CKO-CH15-110058-3701		<p>"H" definition</p> 
LED	<b>CMT1945</b>		
LES / LED Size	Φ 14.5 mm		
FWHM (D50)	18°		
Field Angle (D10)	35°		
H (distance)	4 mm		
Dimension	Φ =110 mm, Thickness=58 mm		
Luminous Flux	4759 lm	Measured @ 44.1 W	
Material	PC / UL94V2		

## cd/klm



## Illuminance At Distances

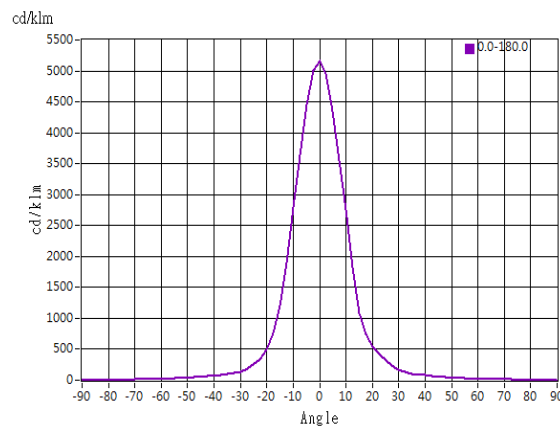




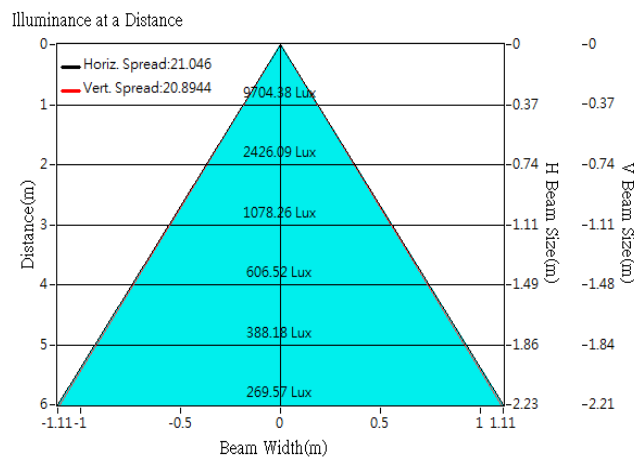
## Optical Characteristics

Model Number	CKO-CH15-110058-3701		<p>"H" definition</p>
LED	<b>CREE CXA2520</b>		
LES / LED Size	Φ 19 mm		
FWHM (D50)	21°		
Field Angle (D10)	40°		
H (distance)	4 mm		
Dimension	Φ =110 mm, Thickness=58 mm		
Luminous Flux	1879 lm	Measured @ 20.0 W	
Material	PC / UL94V2		

## cd/klm



## Illuminance At Distances

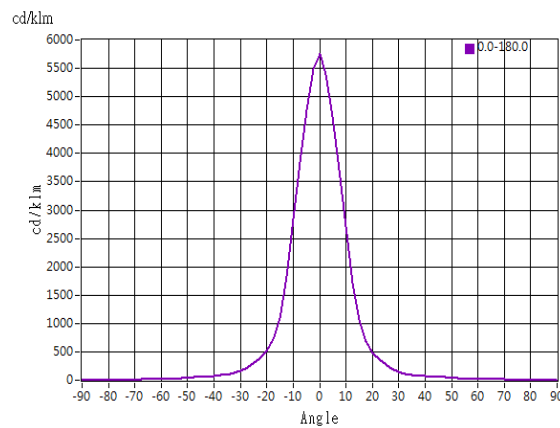




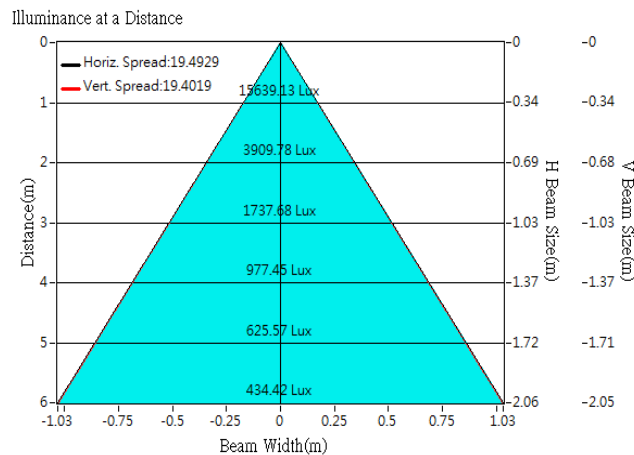
## Optical Characteristics

Model Number	CKO-CH15-110058-3701		<p>"H" definition</p>
LED	<b>CREE CXA2530</b>		
LES / LED Size	Φ 19 mm		
FWHM (D50)	19°		
Field Angle (D10)	38°		
H (distance)	4 mm		
Dimension	Φ =110 mm, Thickness=58 mm		
Luminous Flux	2719 lm	Measured @ 29.4 W	
Material	PC / UL94V2		

## cd/klm



## Illuminance At Distances

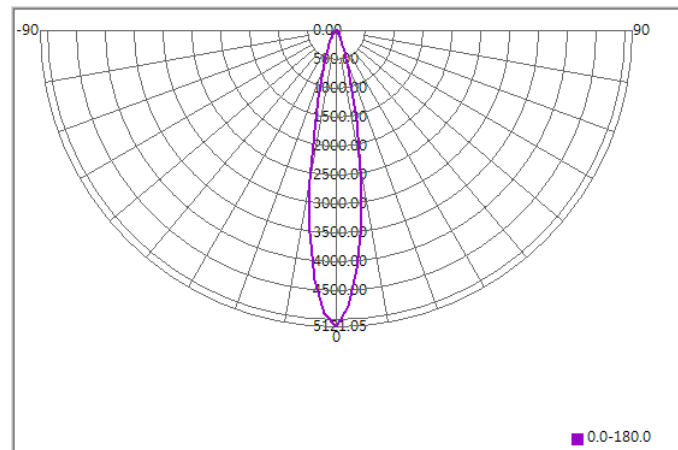




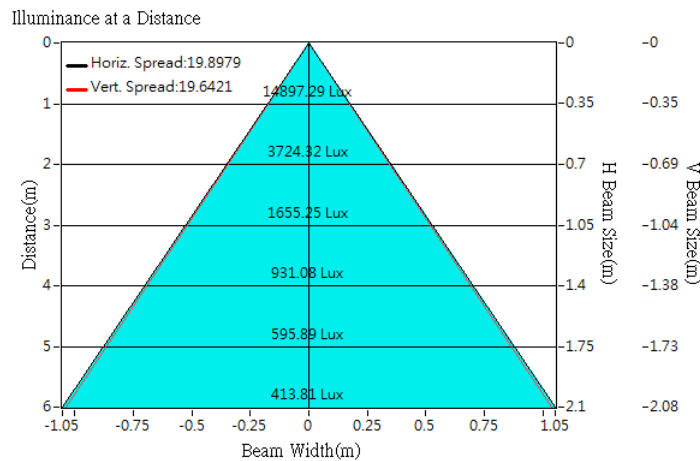
## Optical Characteristics

Model Number	CKO-CH15-110058-3701		<p>"H" definition</p> <p>LES CoB</p>
LED	<b>CREE CXB2530</b>		
LES / LED Size	Φ 19 mm		
FWHM (D50)	19°		
Field Angle (D10)	42°		
H (distance)	4 mm		
Dimension	Φ =110 mm, Thickness=58 mm		
Luminous Flux	2909 lm	Measured @ 27.6 W	
Material	PC / UL94V2		

## cd/klm



## Illuminance At Distances

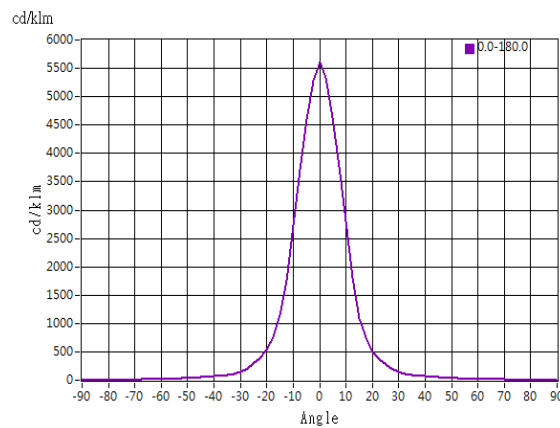




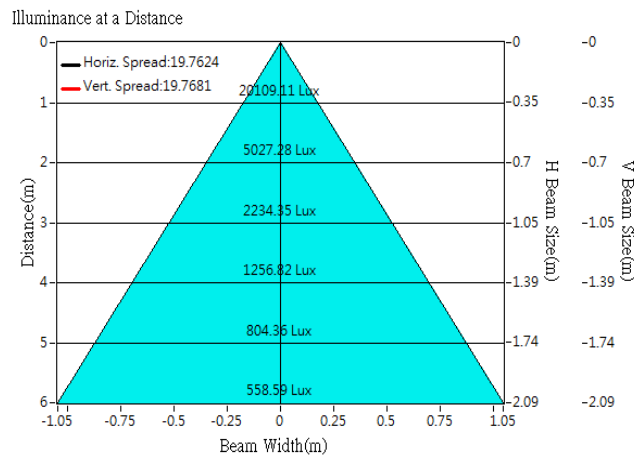
## Optical Characteristics

Model Number	CKO-CH15-110058-3701		<p>"H" definition</p>
LED	<b>CREE CXA2540</b>		
LES / LED Size	Φ 19 mm		
FWHM (D50)	19°		
Field Angle (D10)	39°		
H (distance)	4 mm		
Dimension	Φ =110 mm, Thickness=58 mm		
Luminous Flux	3580 lm	Measured @ 39.3 W	
Material	PC / UL94V2		

## cd/klm

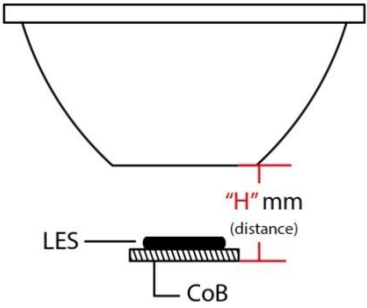


## Illuminance At Distances

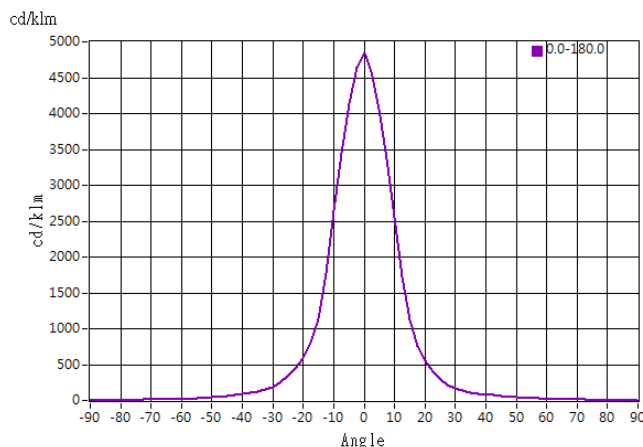




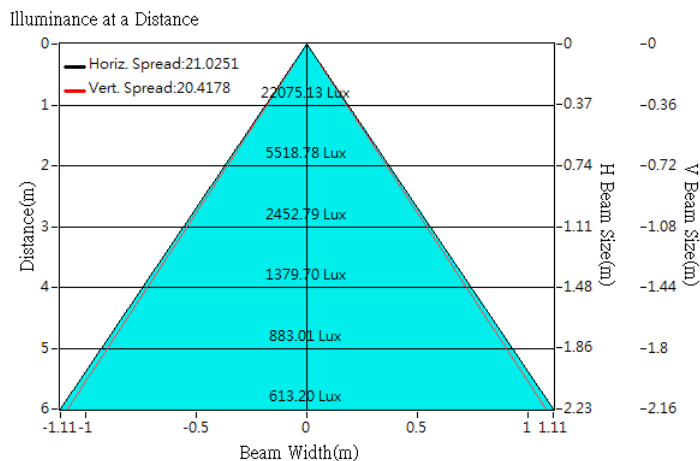
## Optical Characteristics

Model Number	CKO-CH15-110058-3701		<p>"H" definition</p> 
LED	<b>CREE CXB2540</b>		
LES / LED Size	Φ 19 mm		
FWHM (D50)	21°		
Field Angle (D10)	43°		
H (distance)	4 mm		
Dimension	Φ =110 mm, Thickness=58 mm		
Luminous Flux	4551 lm	Measured @ 38.7 W	
Material	PC / UL94V2		

## cd/klm



## Illuminance At Distances

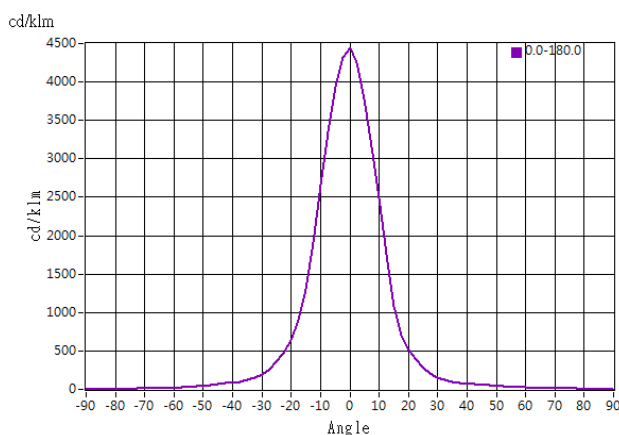




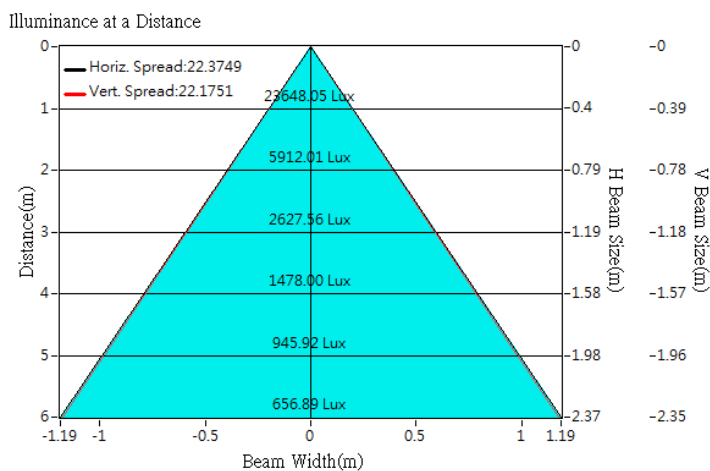
## Optical Characteristics

Model Number	CKO-CH15-110058-3701		<p>"H" definition</p>
LED	<b>CMA2550</b>		
LES / LED Size	Φ 19 mm		
FWHM (D50)	22°		
Field Angle (D10)	45°		
H (distance)	4 mm		
Dimension	Φ =110 mm, Thickness=58 mm		
Luminous Flux	5324 lm	Measured @ 42.4 W	
Material	PC / UL94V2		

## cd/klm

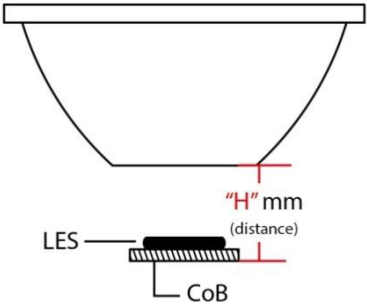


## Illuminance At Distances

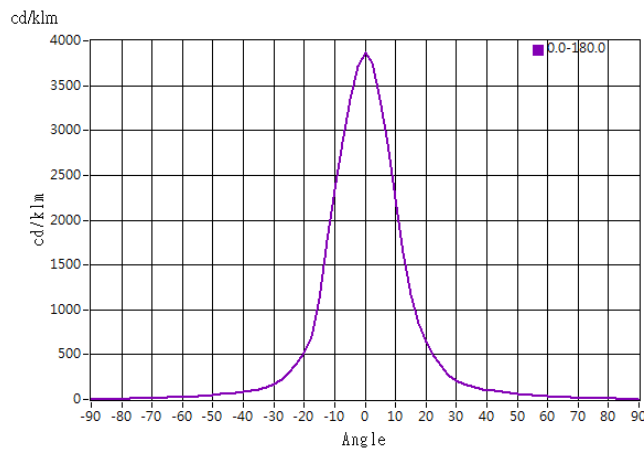




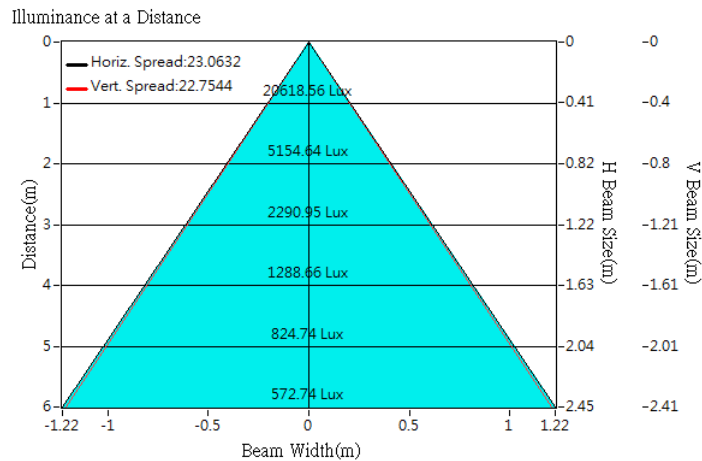
## Optical Characteristics

Model Number	CKO-CH15-110058-3701	<p>"H" definition</p> 
LED	<b>CMT2850</b>	
LES / LED Size	Φ 22 mm	
FWHM (D50)	23°	
Field Angle (D10)	47°	
H (distance)	4 mm	
Dimension	Φ =110 mm, Thickness=58 mm	
Luminous Flux	5338 lm Measured @ 47.6 W	
Material	PC / UL94V2	

## cd/klm



## Illuminance At Distances

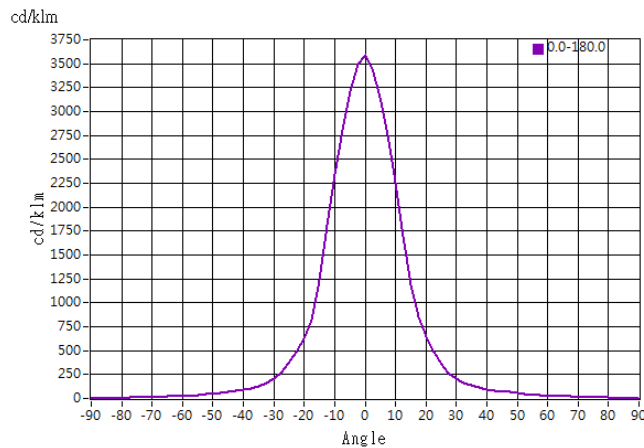




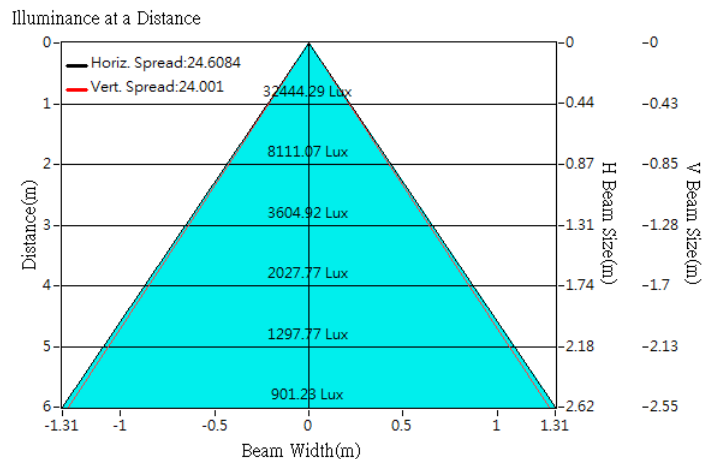
## Optical Characteristics

Model Number	CKO-CH15-110058-3701		<p>"H" definition</p> <p>LES CoB</p>
LED	<b>CMT2890</b>		
LES / LED Size	Φ 22 mm		
FWHM (D50)	25°		
Field Angle (D10)	50°		
H (distance)	4 mm		
Dimension	Φ =110 mm, Thickness=58 mm		
Luminous Flux	9031 lm	Measured @ 85 W	
Material	PC / UL94V2		

## cd/klm

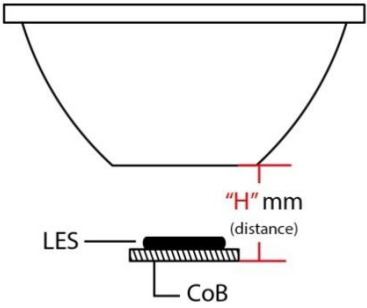


## Illuminance At Distances

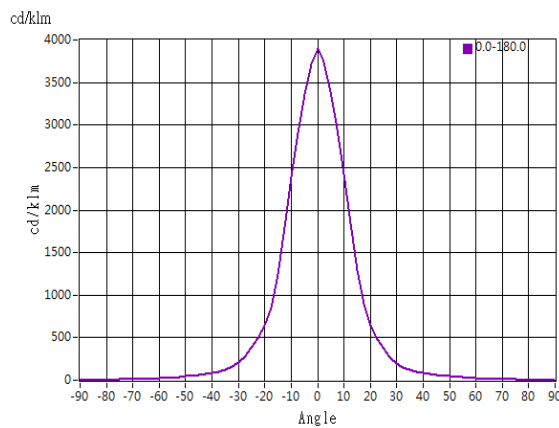




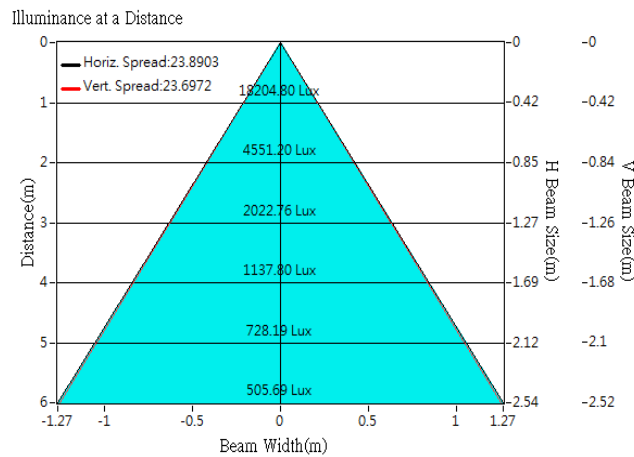
## Optical Characteristics

Model Number	CKO-CH15-110058-3701		<p>"H" definition</p> 
LED	<b>CREE CXA3050</b>		
LES / LED Size	Φ 23 mm		
FWHM (D50)	24°		
Field Angle (D10)	49°		
H (distance)	4 mm		
Dimension	Φ =110 mm, Thickness=58 mm		
Luminous Flux	4665 lm	Measured @ 50.2 W	
Material	PC / UL94V2		

## cd/klm

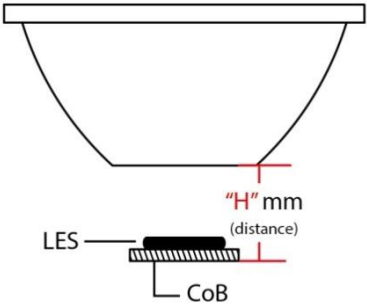


## Illuminance At Distances

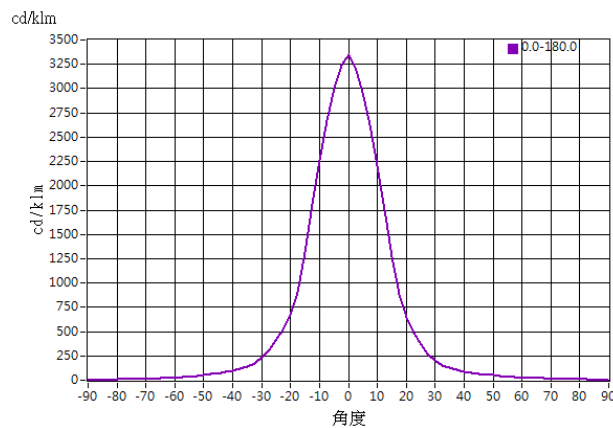




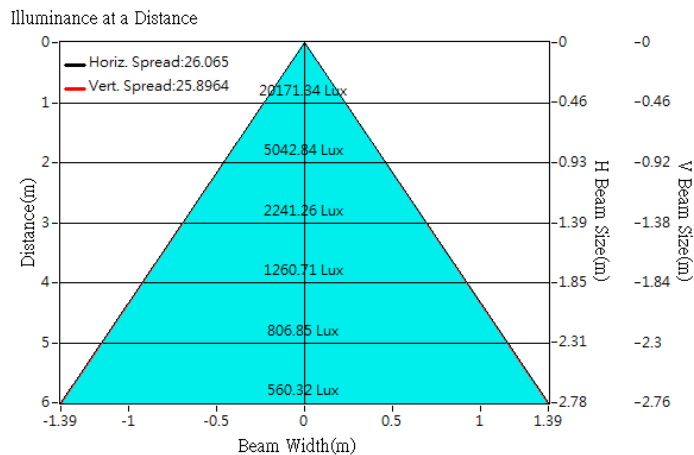
## Optical Characteristics

Model Number	CKO-CH15-110058-3701		<p>"H" definition</p> 
LED	<b>CREE CXB3050</b>		
LES / LED Size	Φ 23 mm		
FWHM (D50)	26°		
Field Angle (D10)	53°		
H (distance)	4 mm		
Dimension	Φ =110 mm, Thickness=58 mm		
Luminous Flux	6018 lm	Measured @ 48.4 W	
Material	PC / UL94V2		

## cd/klm



## Illuminance At Distances

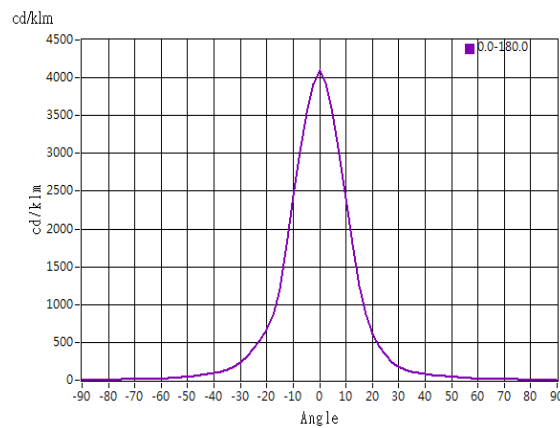




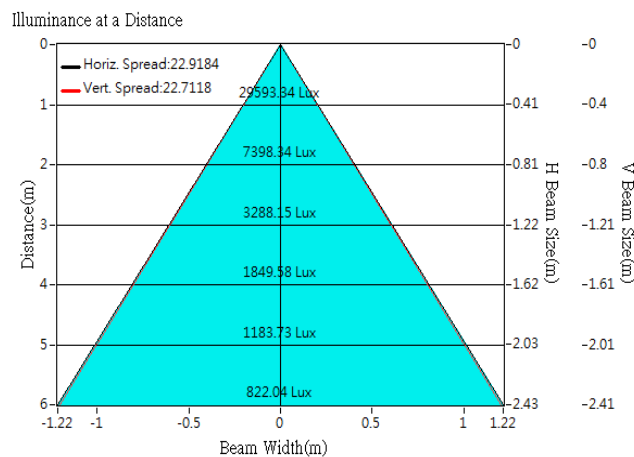
## Optical Characteristics

Model Number	CKO-CH15-110058-3701		<p>"H" definition</p>
LED	<b>CREE CXA3070</b>		
LES / LED Size	Φ 23 mm		
FWHM (D50)	23°		
Field Angle (D10)	48°		
H (distance)	4 mm		
Dimension	Φ =110 mm, Thickness=58 mm		
Luminous Flux	7210 lm	Measured @ 71.5 W	
Material	PC / UL94V2		

## cd/klm

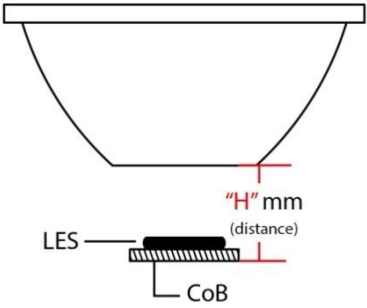


## Illuminance At Distances

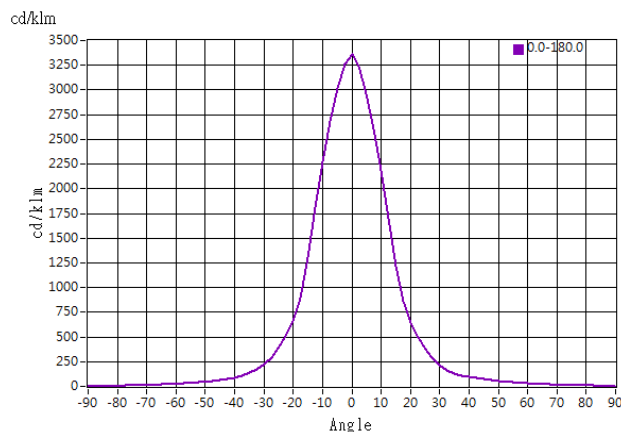




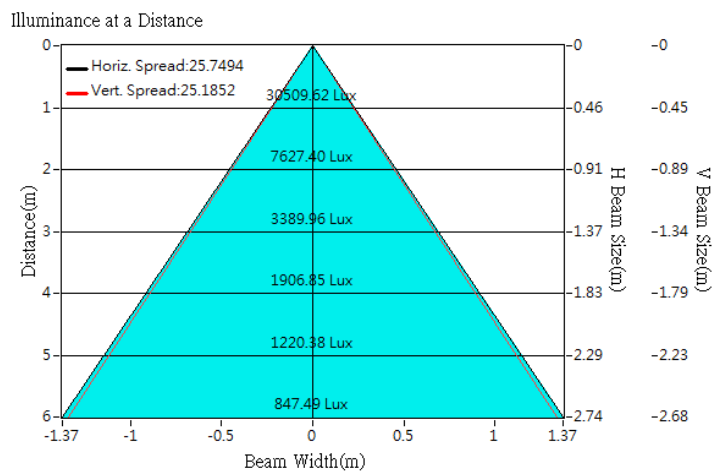
## Optical Characteristics

Model Number	CKO-CH15-110058-3701		<p>"H" definition</p> 
LED	<b>CMA3090</b>		
LES / LED Size	Φ 23 mm		
FWHM (D50)	26°		
Field Angle (D10)	53°		
H (distance)	4 mm		
Dimension	Φ =110 mm, Thickness=58 mm		
Luminous Flux	9085 lm	Measured @ 69.2 W	
Material	PC / UL94V2		

## cd/klm

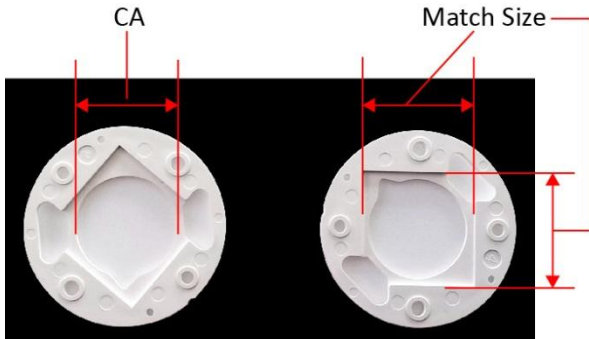


## Illuminance At Distances





## Lens Accessories - CoB Holder



Example of LES Area & LED Size Dimension Locations

Product Model	Match Size (mm)	CA (mm)	Material	Applicability
CKO-HC13-131307-6411	13.6 x 13.6	Φ 7.8	PBT	CREE CXA 13XX
CKO-HC13-161610-6412	16.1 x 16.1	Φ 10.8	PBT	CREE CXA 15XX
CKO-HC13-181816-6413	18.1 x 18.1	Φ 16.4	PBT	CREE CXA 18XX
CKO-HC13-242421-6414	24.1 x 24.1	Φ 21.3	PBT	CREE CXA 25XX
CKO-HC13-272725-6415	27.6 x 27.6	Φ 25.3	PBT	CREE CXA 30XX