



Product Model Number

CKO-CH17-045026-0405

✓ Model Number Definitions

CKO-XXXX-XXXXXX-XXXX

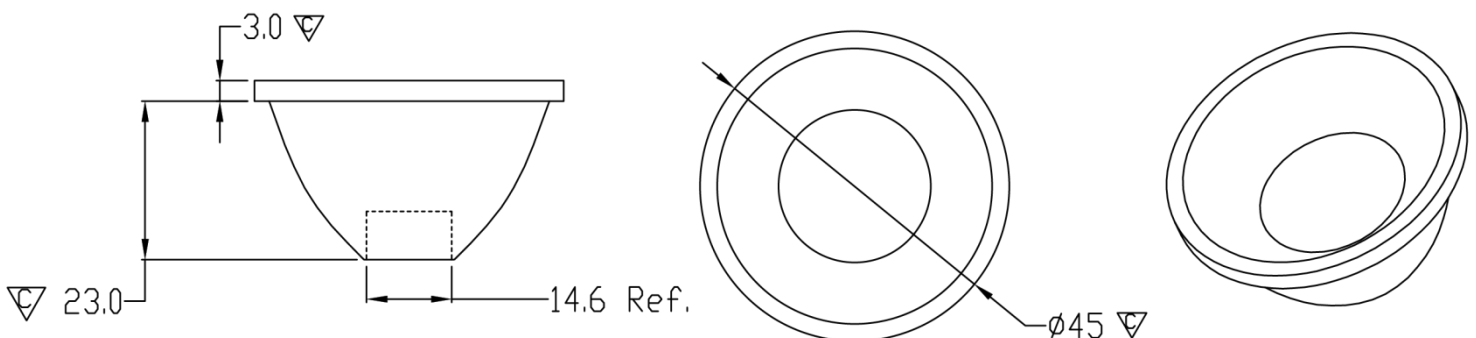


- A. Chun Kuang Optics Corp. Product
- B. Product Type: product abbreviation
Ex:
CH→CoB High Intensity
CC→CoB Compact
CS→Soft Shading for CoB LED
HC→Holder for CoB LED

- C. Identity Code
- D. Lens / Fixture Size
Ex: 075026=Φ75mm / Thickness=26mm (round up)
- E. Serial Numbers

The lens datasheet is applicable for **Citizen LED**, that manufactured by Chun Kuang Optics Corp.

✓ Dimensions (mm) : Φ 45 x 26



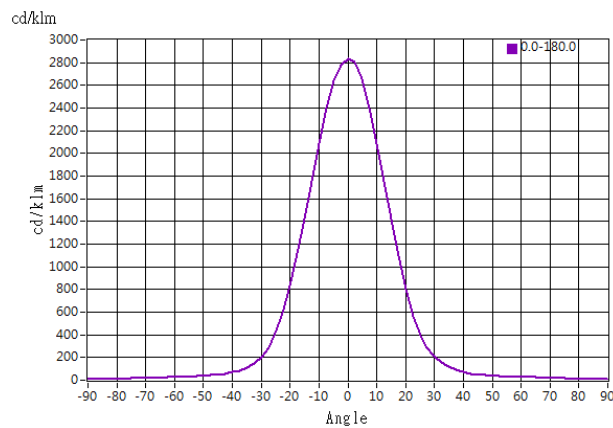
▽:Critical Dimension



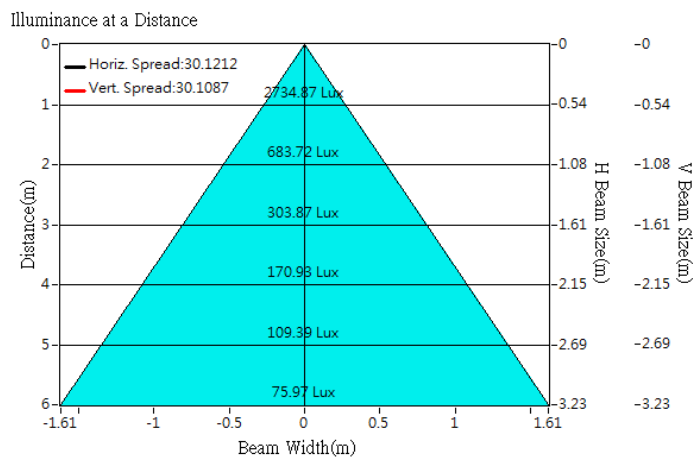
Optical Characteristics

Model Number	CKO-CH17-045026-0405		<p>"H" definition</p>
LED	CLU 701		
LES / LED Size	Φ 6 mm		
FWHM (D50)	30°		
Field Angle (D10)	55°		
H (distance)	2.5 mm		
Dimension	Φ =45 mm, Thickness=26 mm		
Luminous Flux	965 lm	Measured @ 11.1 W	
Material	PC / UL94V2		

cd/klm

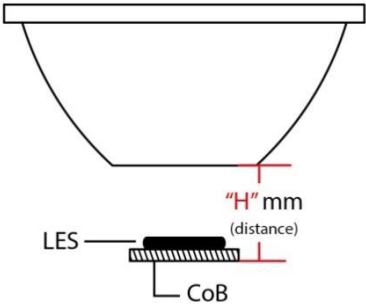


Illuminance At Distances

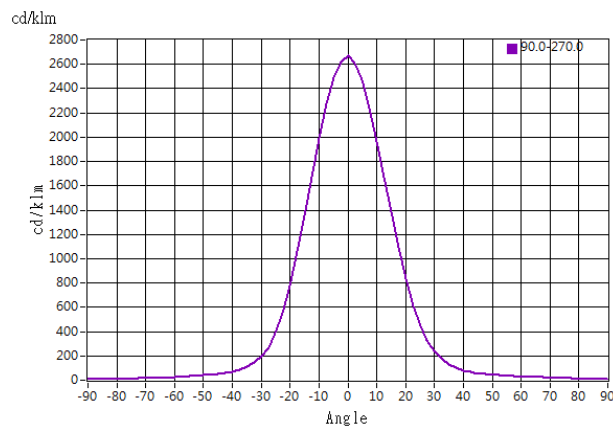




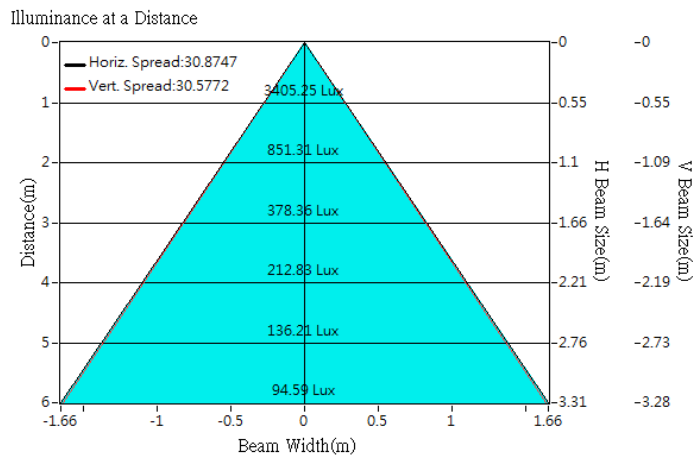
Optical Characteristics

Model Number	CKO-CH17-045026-0405	<p>"H" definition</p> 
LED	CLU 700	
LES / LED Size	Φ 6 mm	
FWHM (D50)	31°	
Field Angle (D10)	57°	
H (distance)	2.5 mm	
Dimension	Φ =45 mm, Thickness=26 mm	
Luminous Flux	1277 lm Measured @ 15 W	
Material	PC / UL94V2	

cd/klm



Illuminance At Distances

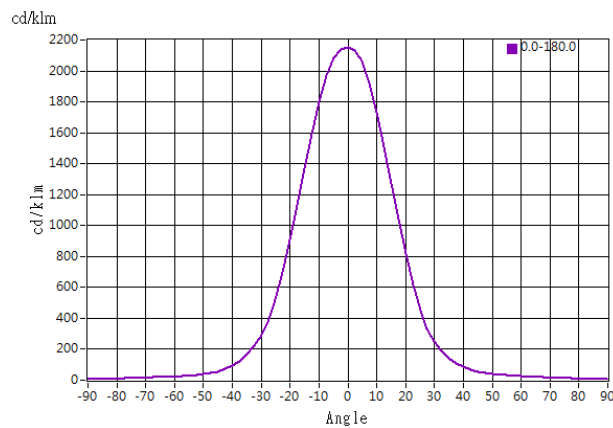




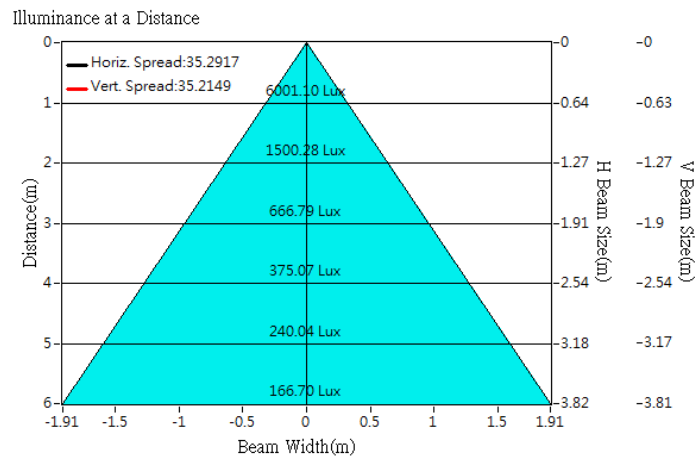
Optical Characteristics

Model Number	CKO-CH17-045026-0405	<p>"H" definition</p>
LED	CLU 711	
LES / LED Size	Φ 8.5 mm	
FWHM (D50)	35°	
Field Angle (D10)	64°	
H (distance)	2.5 mm	
Dimension	Φ =45 mm, Thickness=26 mm	
Luminous Flux	2790 lm	
Material	PC / UL94V2	

cd/klm



Illuminance At Distances

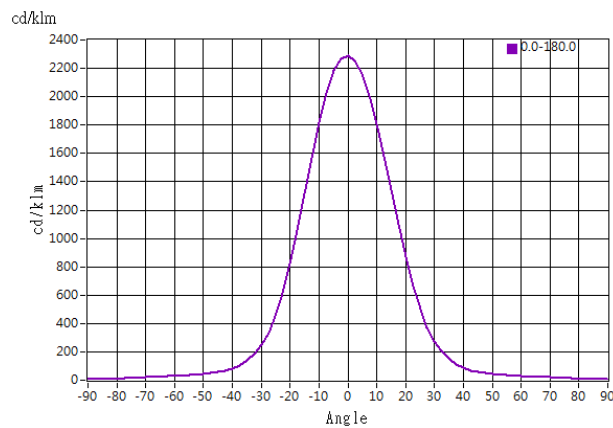




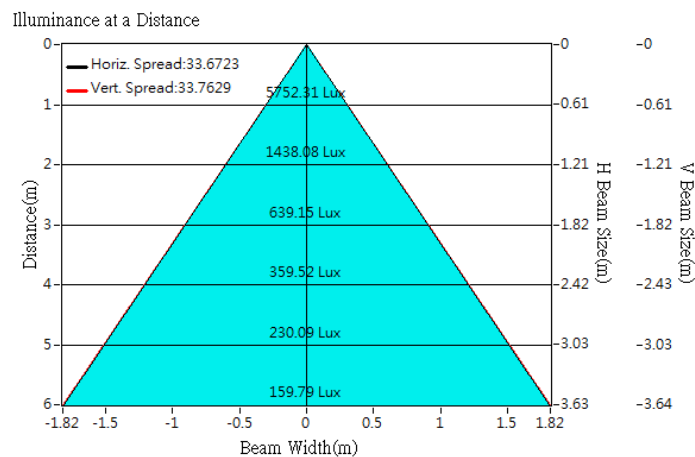
Optical Characteristics

Model Number	CKO-CH17-045026-0405		<p>"H" definition</p>
LED	CLU 710		
LES / LED Size	Φ 8.5 mm		
FWHM (D50)	34°		
Field Angle (D10)	62°		
H (distance)	2.5 mm		
Dimension	Φ =45 mm, Thickness=26 mm		
Luminous Flux	2512 lm	Measured @ 26.3 W	
Material	PC / UL94V2		

cd/klm



Illuminance At Distances

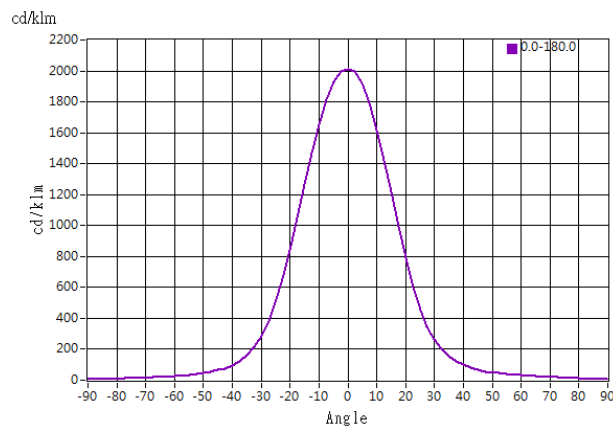




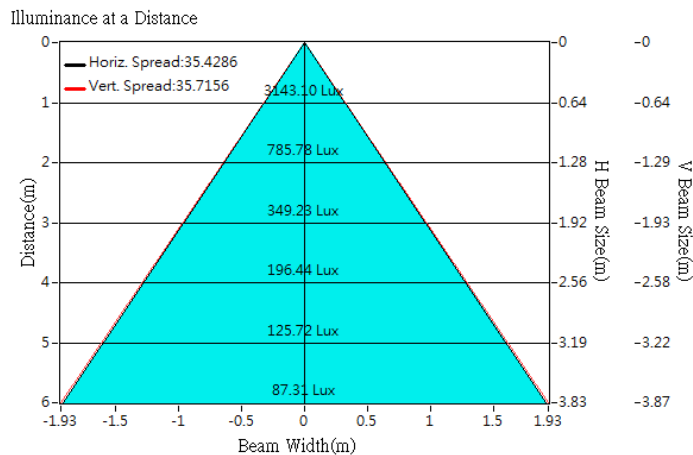
Optical Characteristics

Model Number	CKO-CH17-045026-0405	<p>"H" definition</p>
LED	CLU 028	
LES / LED Size	Φ 9.8 mm	
FWHM (D50)	35°	
Field Angle (D10)	66°	
H (distance)	2.5 mm	
Dimension	Φ =45 mm, Thickness=26 mm	
Luminous Flux	1561 lm	
Material	PC / UL94V2	

cd/klm



Illuminance At Distances

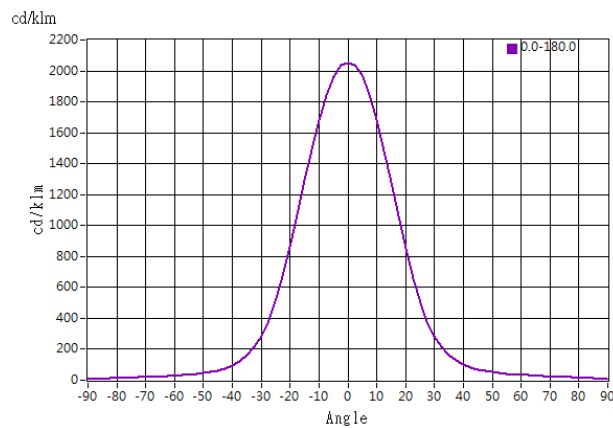




Optical Characteristics

Model Number	CKO-CH17-045026-0405	<p>"H" definition</p>
LED	CLU 026	
LES / LED Size	Φ 9.8 mm	
FWHM (D50)	36°	
Field Angle (D10)	66°	
H (distance)	2.5 mm	
Dimension	Φ =45 mm, Thickness=26 mm	
Luminous Flux	1436 lm	
Material	PC / UL94V2	

cd/klm



Illuminance At Distances

