



Product Model Number

CKO-CH17-045026-0405

✓ Model Number Definitions

CKO-XXXX-XXXXXX-XXXX

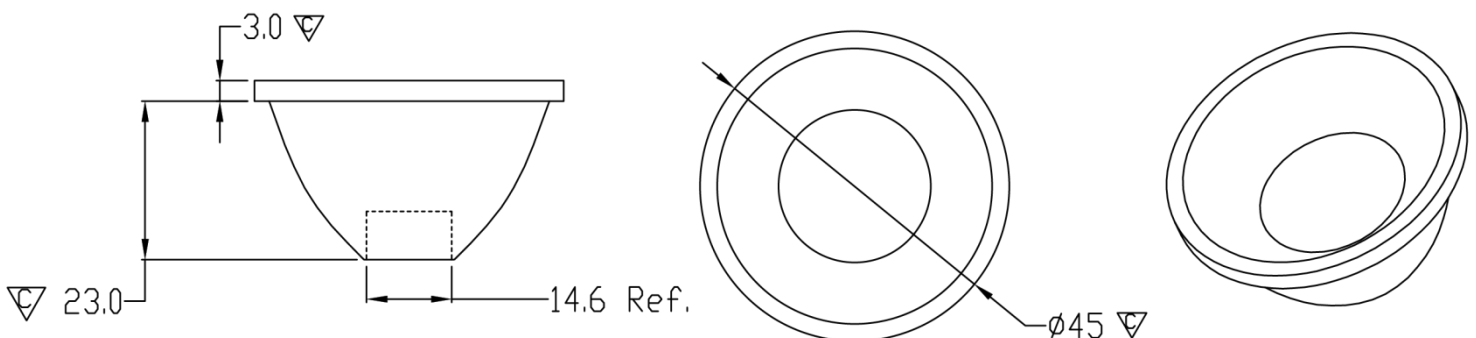


- A. Chun Kuang Optics Corp. Product
- B. Product Type: product abbreviation
Ex:
CH→CoB High Intensity
CC→CoB Compact
CS→Soft Shading for CoB LED
HC→Holder for CoB LED

- C. Identity Code
- D. Lens / Fixture Size
Ex: 075026=Φ75mm / Thickness=26mm (round up)
- E. Serial Numbers

The lens datasheet is applicable for **Luminus LED**, that manufactured by Chun Kuang Optics Corp.

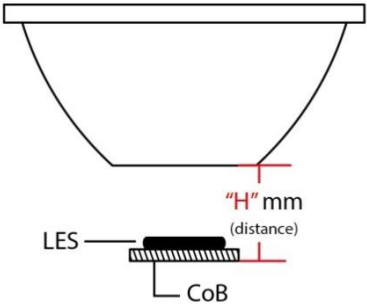
✓ Dimensions (mm) : Φ 45 x 26



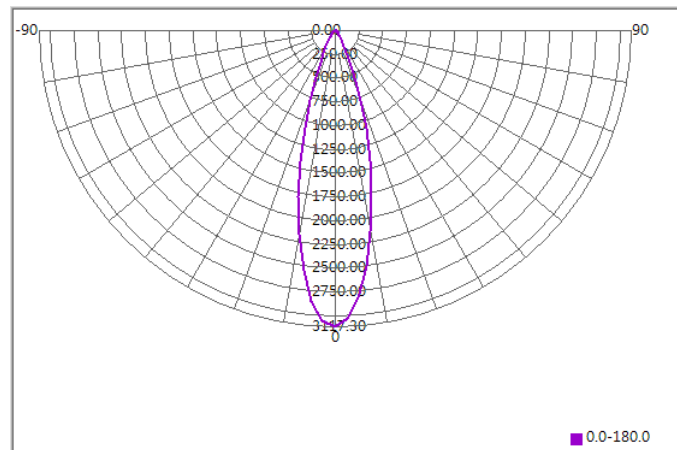
▽:Critical Dimension



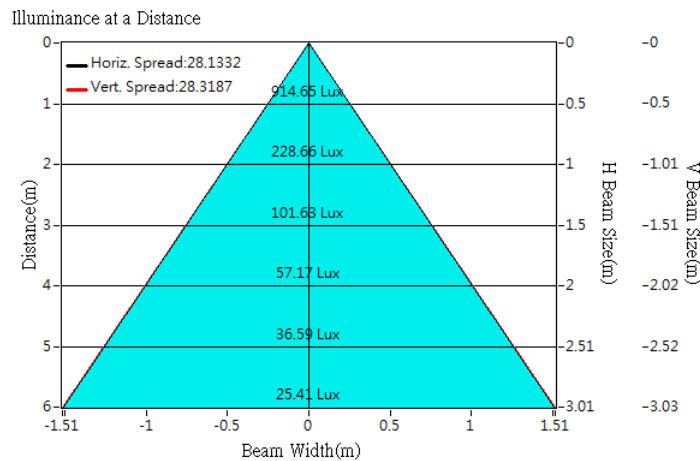
Optical Characteristics

Model Number	CKO-CH17-045026-0405		<p>"H" definition</p> 
LED	CXM-3-AC40		
LES / LED Size	Φ 3.5 mm		
FWHM (D50)	28°		
Field Angle (D10)	53°		
H (distance)	2.5 mm		
Dimension	Φ =45 mm, Thickness=26 mm		
Luminous Flux	293 lm	Measured @ 2.7 W	
Material	PC / UL94V2		

cd/klm



Illuminance At Distances

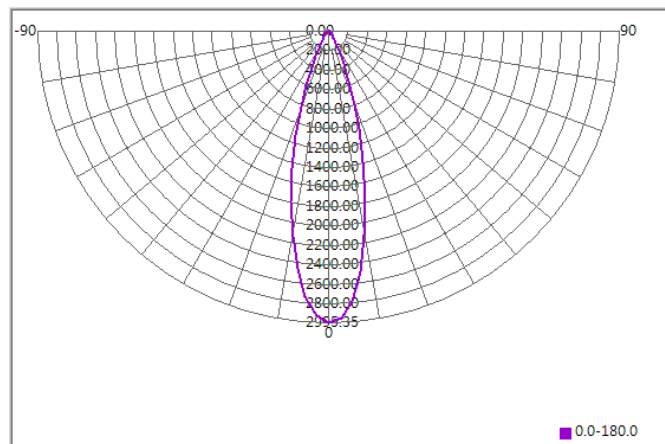




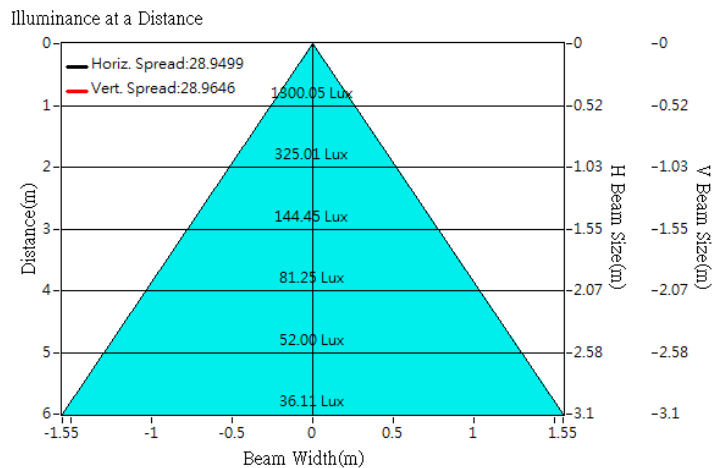
Optical Characteristics

Model Number	CKO-CH17-045026-0405		<p>"H" definition</p> <p>LES CoB</p>
LED	CXM-4-AC40		
LES / LED Size	Φ 4.5 mm		
FWHM (D50)	29°		
Field Angle (D10)	54°		
H (distance)	2.5 mm		
Dimension	Φ =45 mm, Thickness=26 mm		
Luminous Flux	434 lm	Measured @ 4 W	
Material	PC / UL94V2		

cd/klm



Illuminance At Distances

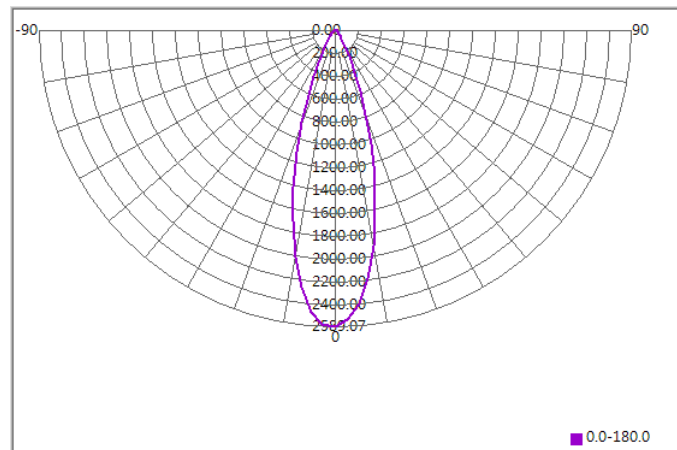




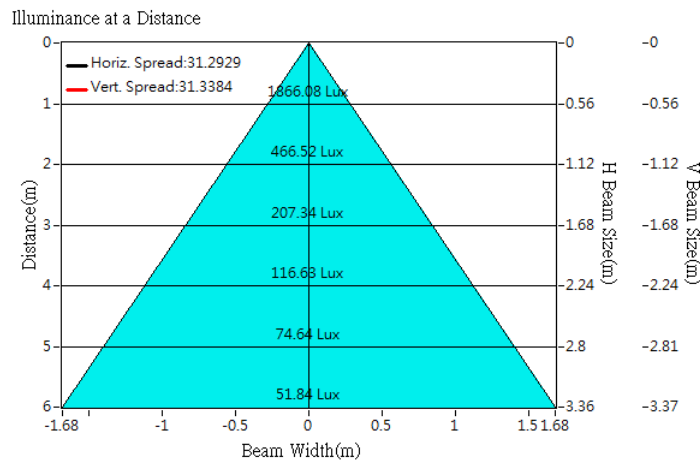
Optical Characteristics

Model Number	CKO-CH17-045026-0405		<p>"H" definition</p>
LED	CXM-6-AC40		
LES / LED Size	Φ 6.3 mm		
FWHM (D50)	31°		
Field Angle (D10)	58°		
H (distance)	2.5 mm		
Dimension	Φ =45 mm, Thickness=26 mm		
Luminous Flux	721 lm	Measured @ 5 W	
Material	PC / UL94V2		

cd/klm



Illuminance At Distances

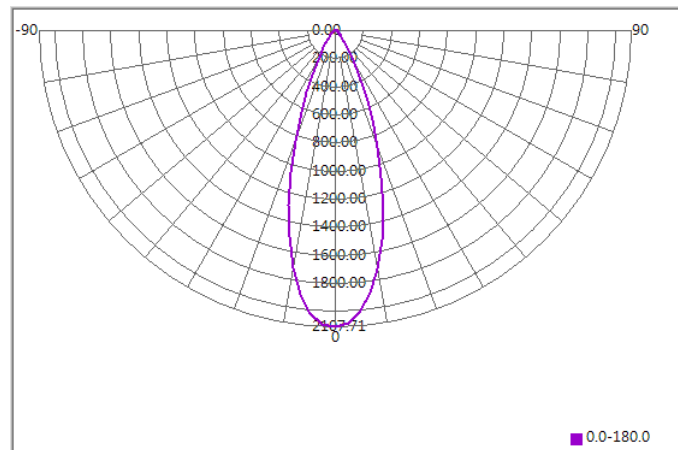




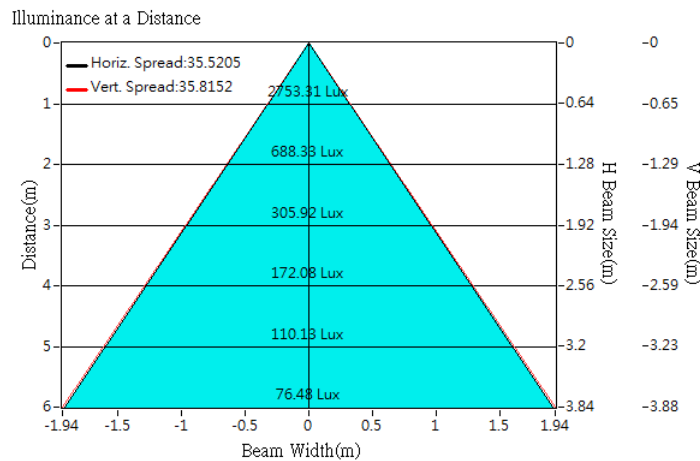
Optical Characteristics

Model Number	CKO-CH17-045026-0405		<p>"H" definition</p>
LED	CXM-9-AC30		
LES / LED Size	Φ 9.6 mm		
FWHM (D50)	36°		
Field Angle (D10)	65°		
H (distance)	2.5 mm		
Dimension	Φ =45 mm, Thickness=26 mm		
Luminous Flux	1306 lm	Measured @ 12 W	
Material	PC / UL94V2		

cd/klm



Illuminance At Distances

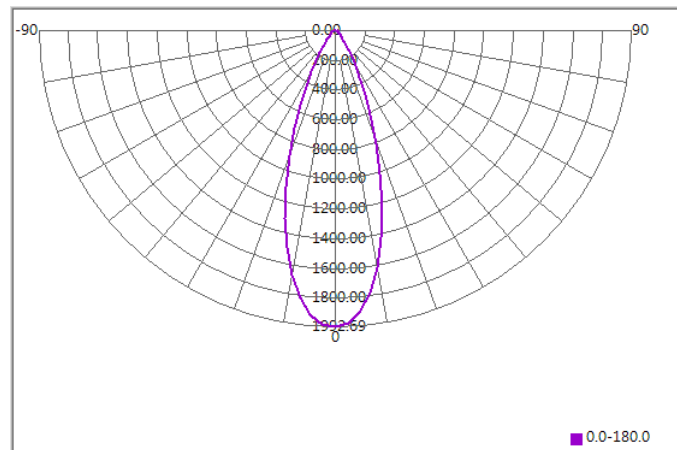




Optical Characteristics

Model Number	CKO-CH17-045026-0405		<p>"H" definition</p>
LED	CXM-9-AC40		
LES / LED Size	Φ 9.8 mm		
FWHM (D50)	36°		
Field Angle (D10)	67°		
H (distance)	2.5 mm		
Dimension	Φ =45 mm, Thickness=26 mm		
Luminous Flux	1397 lm	Measured @ 12 W	
Material	PC / UL94V2		

cd/klm



Illuminance At Distances

