



Product Model Number

CKO-CH17-075041-0301

✓ Model Number Definitions

CKO-XXXX-XXXXXX-XXXX

(A)

(B)

(C)

(D)

(E)

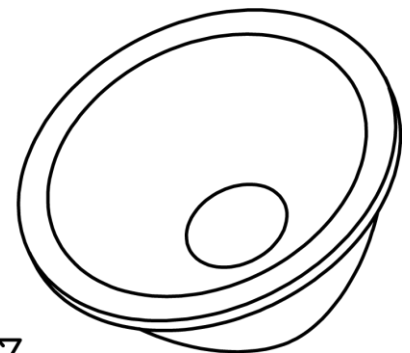
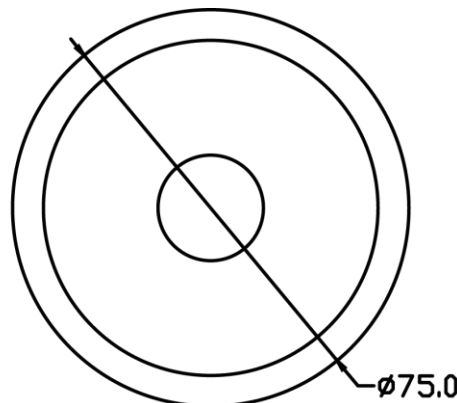
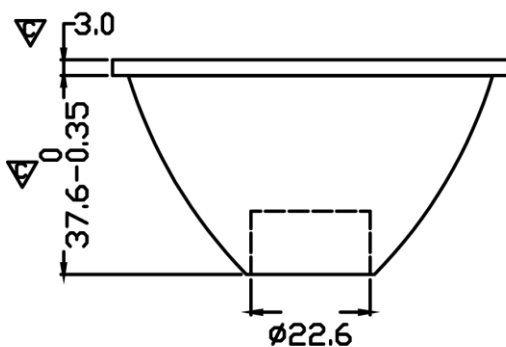


- A. Chun Kuang Optics Corp. Product
- B. Product Type: product abbreviation
Ex:
CH→CoB High Intensity
CC→CoB Compact
CS→Soft Shading for CoB LED
HC→Holder for CoB LED

- C. Identity Code
- D. Lens / Fixture Size
Ex: 075026=Φ75mm / Thickness=26mm (round up)
- C. Serial Numbers

The lens datasheet is applicable for **TRIDONIC LED**, that manufactured by Chun Kuang Optics Corp.

✓ Dimensions (mm) : Φ 75 x 40.6



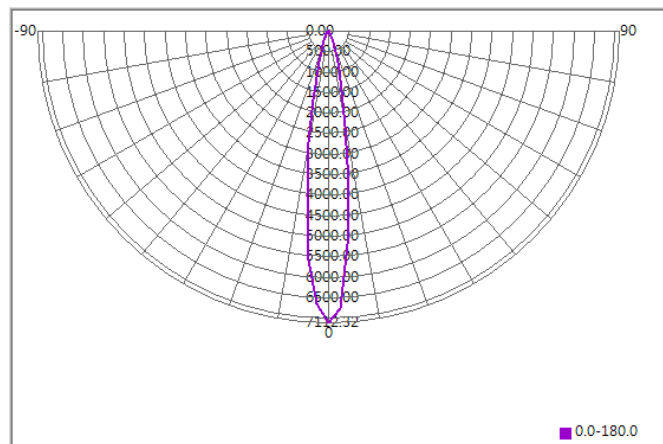
▽:Critical Dimension



Optical Characteristics

Model Number	CKO-CH17-075041-0301		
LED	SLE G7 13mm 3000lm 930 R ADV		
LES / LED Size	Φ 13 mm		
FWHM (D50)	16°		
Field Angle (D10)	35°		
H (distance)	3.65 mm		
Dimension	Φ =75 mm, Thickness=40.6 mm		
Luminous Flux	1953 lm	Measured @ 17.1 W	
Material	PC / UL94V2		

cd/klm



Illuminance At Distances

