



## Product Model Number

CKO-CH17-075041-0303

### ✓ Model Number Definitions

**CKO-XXXX-XXXXXX-XXXX**

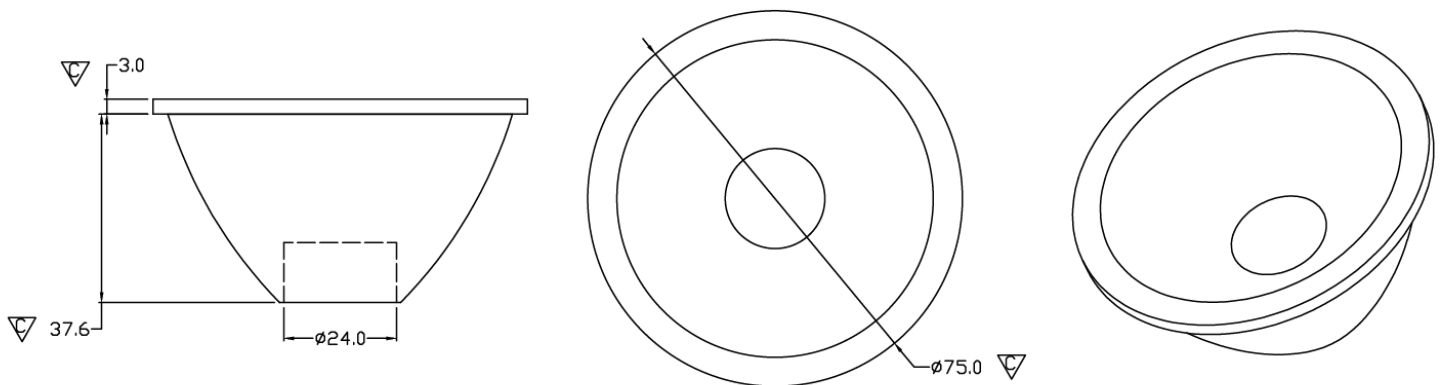


- A. Chun Kuang Optics Corp. Product
- B. Product Type: product abbreviation  
Ex:  
CH→CoB High Intensity  
CC→CoB Compact  
CS→Soft Shading for CoB LED  
HC→Holder for CoB LED

- C. Identity Code
- D. Lens / Fixture Size  
Ex: 075026=Φ75mm / Thickness=26mm (round up)
- E. Serial Numbers

The lens datasheet is applicable for **Luminus LED**, that manufactured by Chun Kuang Optics Corp.

### ✓ Dimensions (mm) : Φ 75 x 40.6



▽:Critical Dimension



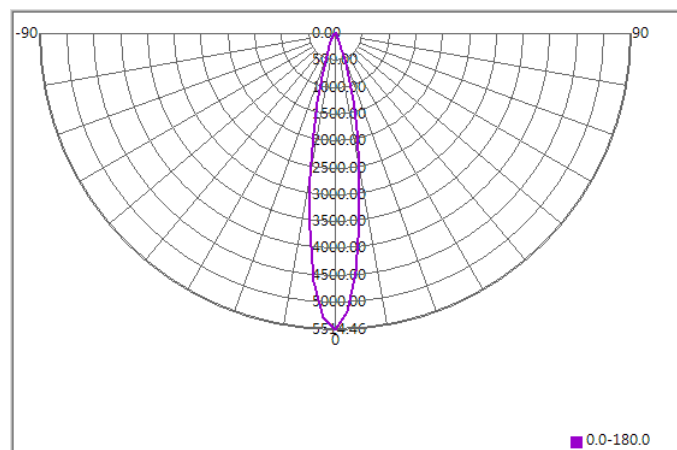




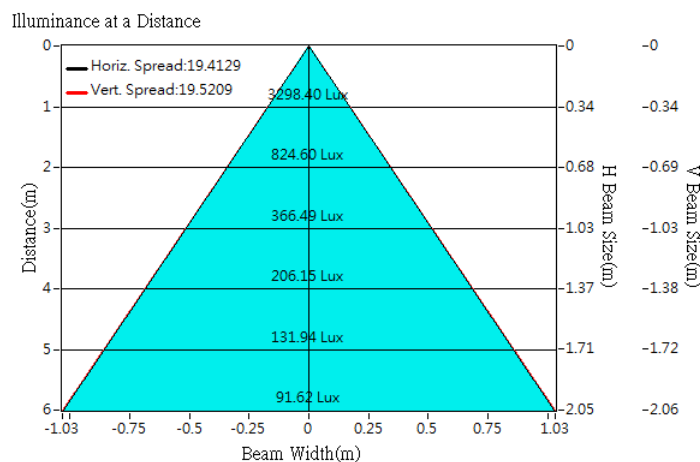
## Optical Characteristics

Model Number	CKO-CH17-075041-0303		<p>"H" definition</p> <p>LES</p> <p>CoB</p>
LED	<b>CXM-7</b>		
LES / LED Size	Φ 7.5 mm		
FWHM (D50)	19°		
Field Angle (D10)	40°		
H (distance)	3.65 mm		
Dimension	Φ =75 mm, Thickness=40.6 mm		
Luminous Flux	598 lm	Measured @ 5.5 W	
Material	PC / UL94V2		

## cd/klm



## Illuminance At Distances

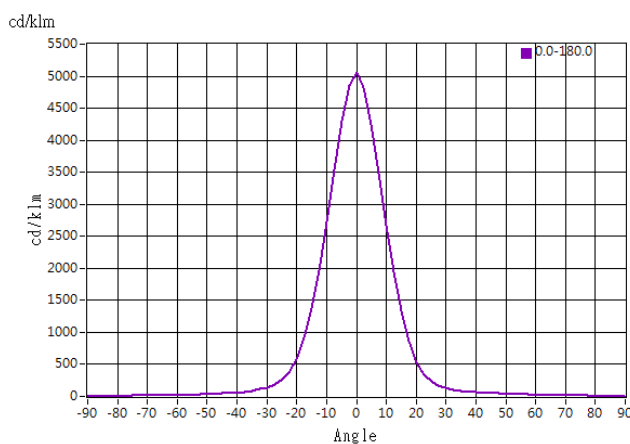




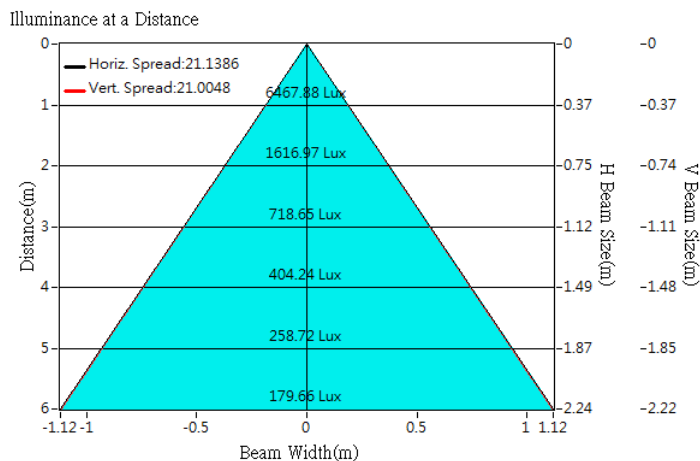
## Optical Characteristics

Model Number	CKO-CH17-075041-0303	<p>"H" definition</p> <p>LES CoB</p>
LED	<b>CXM-9-AC30</b>	
LES / LED Size	Φ 9.6 mm	
FWHM (D50)	21°	
Field Angle (D10)	41°	
H (distance)	3.65mm	
Dimension	Φ =75 mm, Thickness=40.6 mm	
Luminous Flux	1280 lm	
Material	PC / UL94V2	

## cd/klm



## Illuminance At Distances

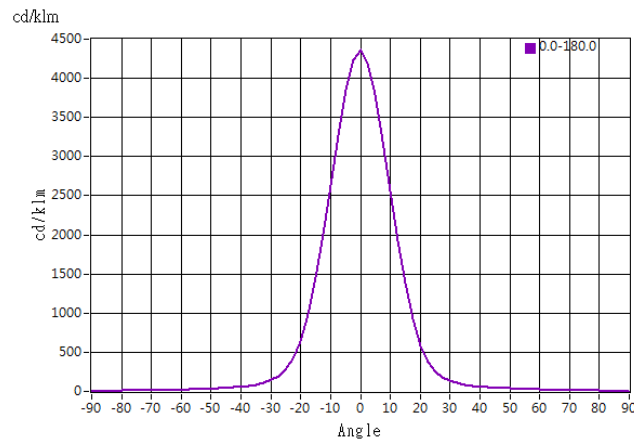




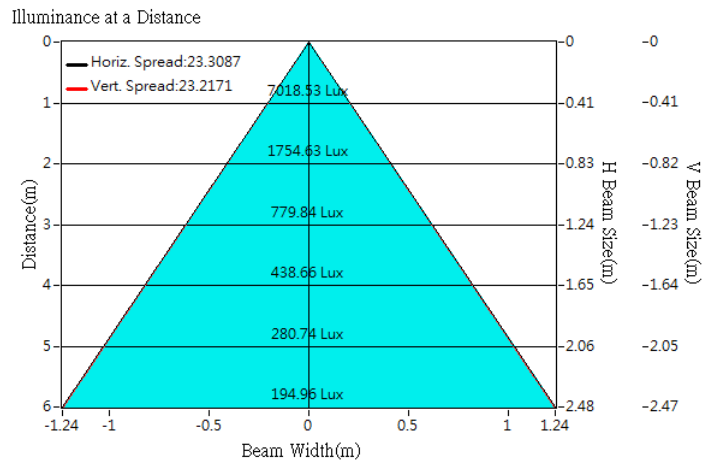
## Optical Characteristics

Model Number	CKO-CH17-075041-0303		<p>"H" definition</p>
LED	<b>CXM-11-AC30</b>		
LES / LED Size	Φ 11 mm		
FWHM (D50)	23°		
Field Angle (D10)	44°		
H (distance)	3.65mm		
Dimension	Φ =75 mm, Thickness=40.6 mm		
Luminous Flux	1610 lm	Measured @ 15.7 W	
Material	PC / UL94V2		

## cd/klm

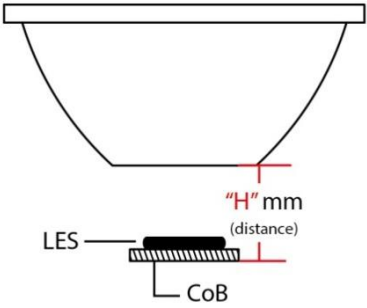


## Illuminance At Distances

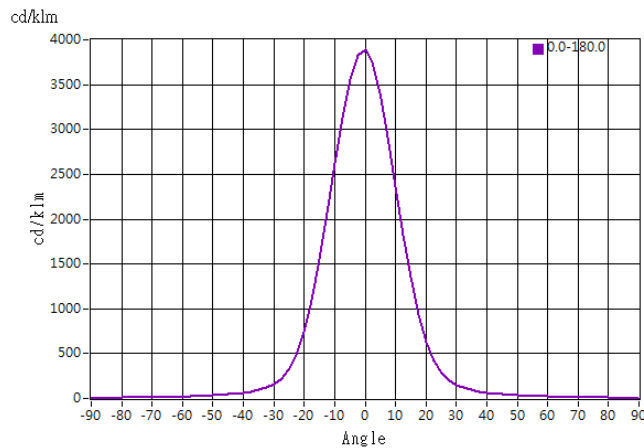




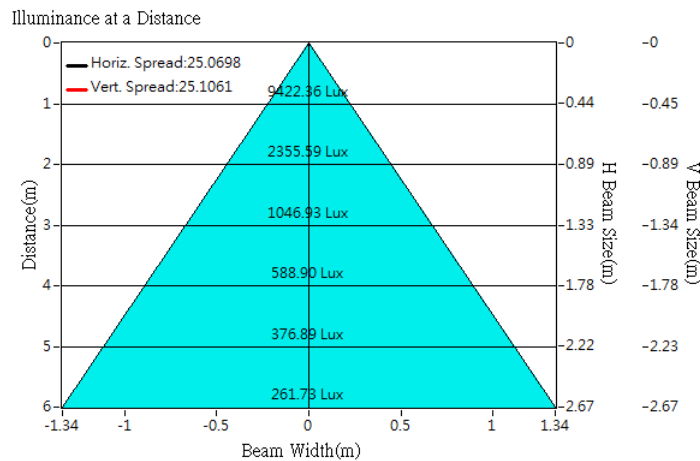
## Optical Characteristics

Model Number	CKO-CH17-075041-0303		<p>"H" definition</p> 
LED	<b>CXM-14-AA10</b>		
LES / LED Size	Φ 13.5 mm		
FWHM (D50)	25°		
Field Angle (D10)	47°		
H (distance)	3.65mm		
Dimension	Φ =75 mm, Thickness=40.6 mm		
Luminous Flux	2422 lm	Measured @ 25.7 W	
Material	PC / UL94V2		

## cd/klm

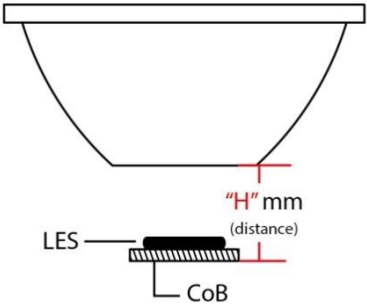


## Illuminance At Distances

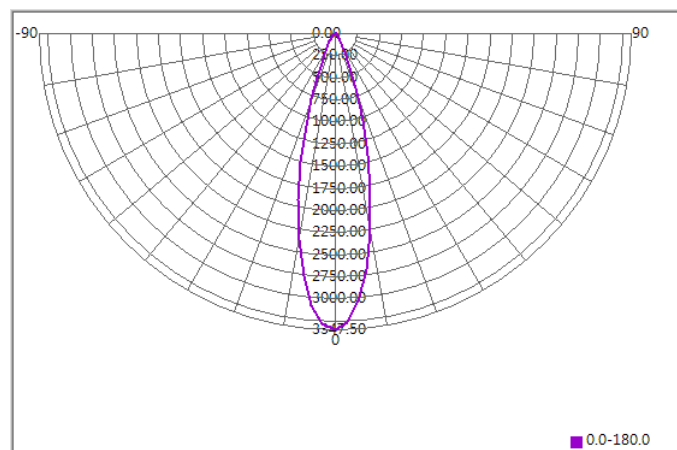




## Optical Characteristics

Model Number	CKO-CH17-075041-0303		<p>"H" definition</p> 
LED	<b>CLM-14-AC40</b>		
LES / LED Size	Φ14.5 mm		
FWHM (D50)	27°		
Field Angle (D10)	51°		
H (distance)	3.65mm		
Dimension	Φ =75 mm, Thickness=40.6 mm		
Luminous Flux	2444 lm	Measured @ 16.6 W	
Material	PC / UL94V2		

## cd/klm



## Illuminance At Distances

