



Product Model Number

CKO-CH19-030015-2505

✓ Model Number Definitions

CKO-XXXX-XXXXXX-XXXX

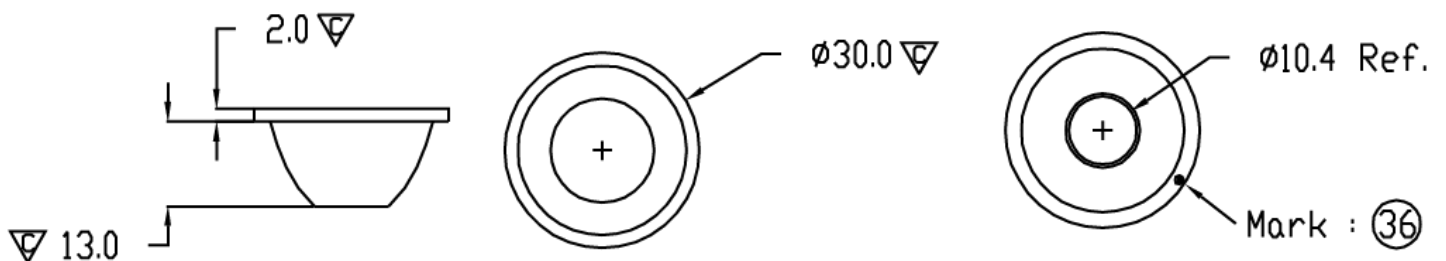


- A. Chun Kuang Optics Corp. Product
- B. Product Type: product abbreviation
Ex:
CH→CoB High Intensity
CC→CoB Compact
CS→Soft Shading for CoB LED
HC→Holder for CoB LED

- C. Identity Code
- D. Lens / Fixture Size
Ex: 075026=Φ75mm / Thickness=26mm (round up)
- E. Serial Numbers

The lens datasheet is applicable for **Citizen LED**, that manufactured by Chun Kuang Optics Corp.

✓ Dimensions (mm) : Φ30 x 15



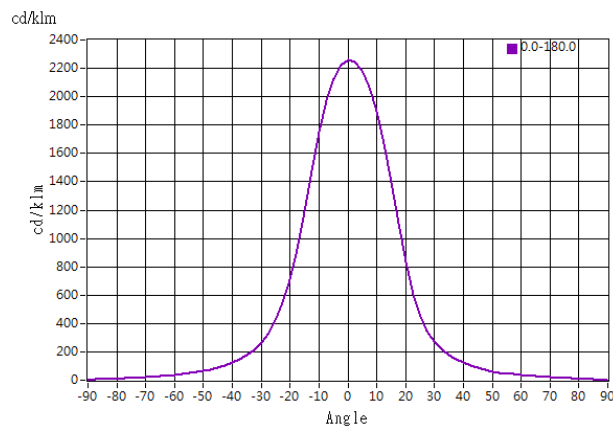
▽:Critical Dimension



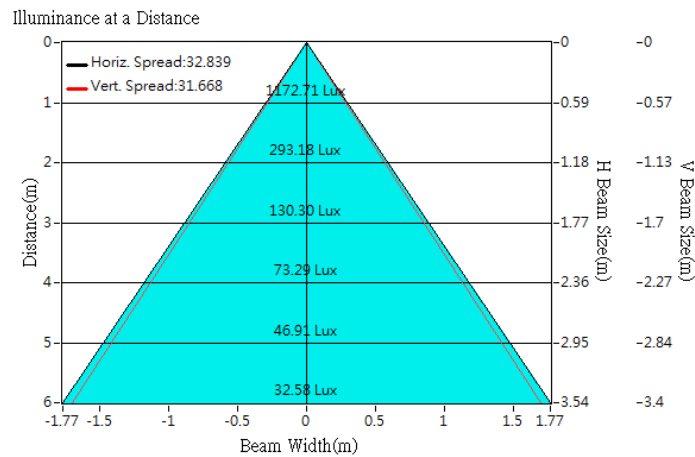
Optical Characteristics

Model Number	CKO-CH19-030015-2505	<p>"H" definition</p> <p>LES CoB</p>
LED	CLU 7A2	
LES / LED Size	Φ 4.2 mm	
FWHM (D50)	33°	
Field Angle (D10)	64°	
H (distance)	2.5 mm	
Dimension	Φ =30mm, Thickness=15mm	
Luminous Flux	519 lm	
Material	PC / UL94V2	

cd/klm



Illuminance At Distances

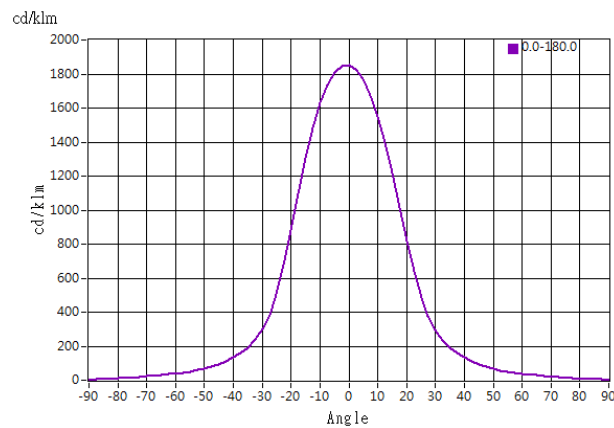




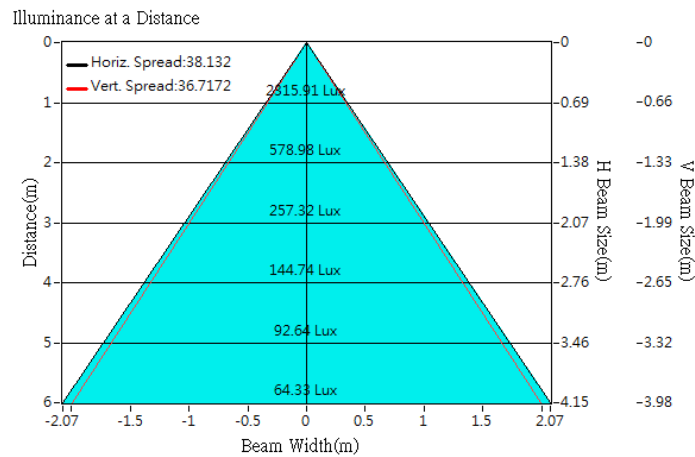
Optical Characteristics

Model Number	CKO-CH19-030015-2505		<p>"H" definition</p>
LED	CLU 700		
LES / LED Size	Φ 6 mm		
FWHM (D50)	38°		
Field Angle (D10)	71°		
H (distance)	2.5 mm		
Dimension	Φ =30mm, Thickness=15mm		
Luminous Flux	1250 lm	Measured @ 14.3 W	
Material	PC / UL94V2		

cd/klm

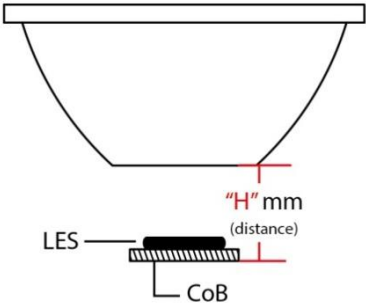


Illuminance At Distances

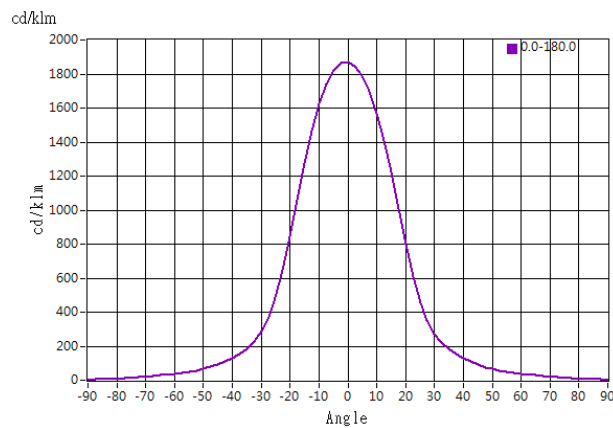




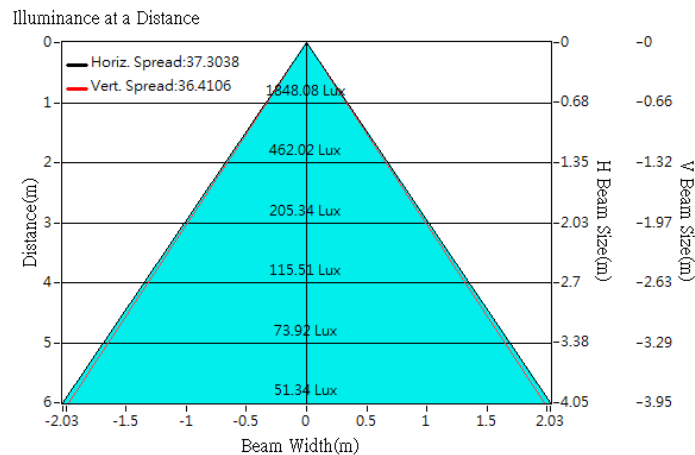
Optical Characteristics

Model Number	CKO-CH19-030015-2505		<p>"H" definition</p> 
LED	CLU 701		
LES / LED Size	Φ 6 mm		
FWHM (D50)	37°		
Field Angle (D10)	70°		
H (distance)	2.5 mm		
Dimension	Φ =30mm, Thickness=15mm		
Luminous Flux	986 lm	Measured @ 10.8 W	
Material	PC / UL94V2		

cd/klm

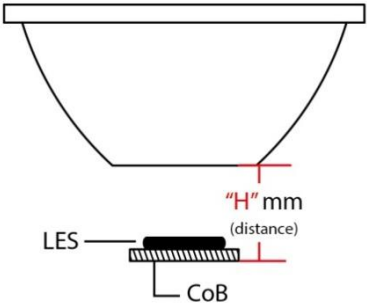


Illuminance At Distances

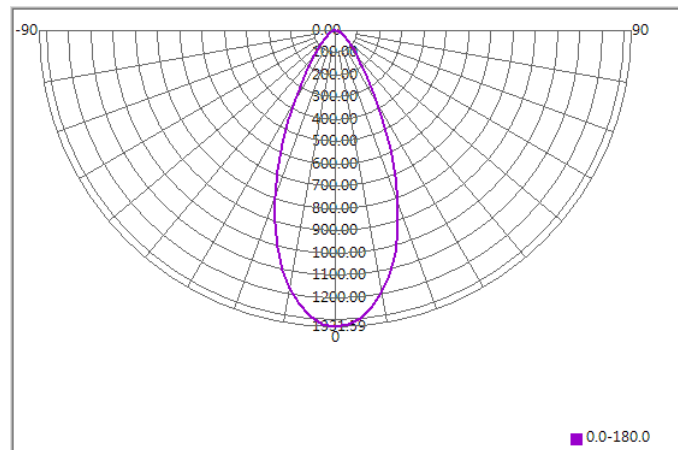




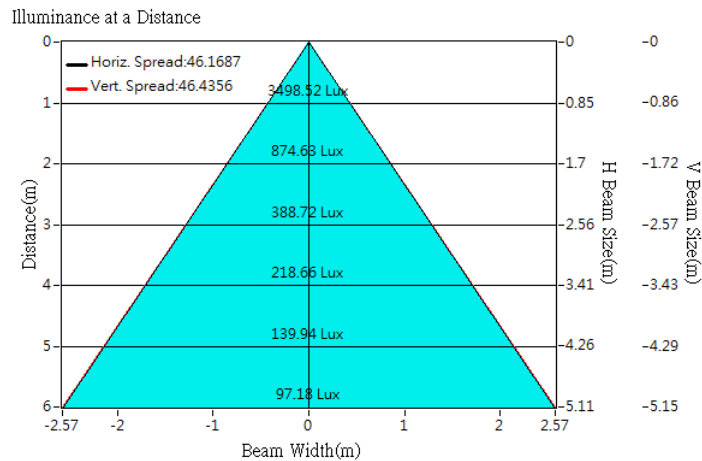
Optical Characteristics

Model Number	CKO-CH19-030015-2505		<p>"H" definition</p> 
LED	CLU 711		
LES / LED Size	Φ 8.5 mm		
FWHM (D50)	46°		
Field Angle (D10)	84°		
H (distance)	2.5 mm		
Dimension	Φ =30mm, Thickness=15mm		
Luminous Flux	2627 lm	Measured @ 25.7 W	
Material	PC / UL94V2		

cd/klm



Illuminance At Distances

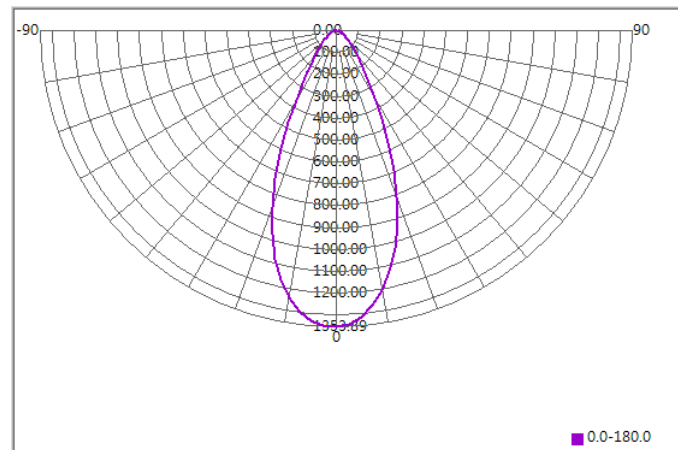




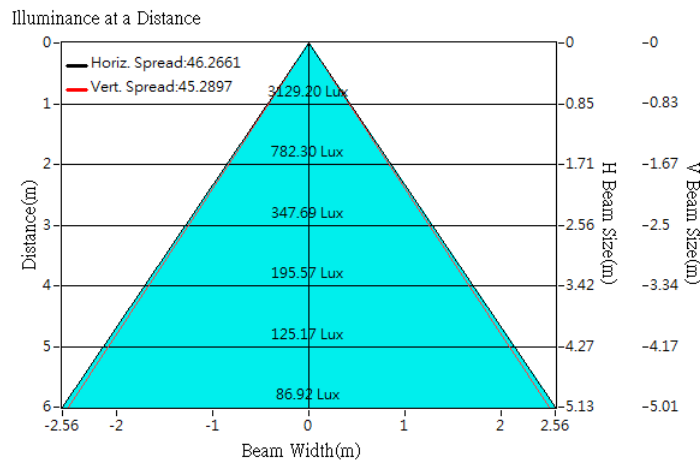
Optical Characteristics

Model Number	CKO-CH19-030015-2505		<p>"H" definition</p> <p>LES CoB</p>
LED	CLU 710		
LES / LED Size	Φ 8.5 mm		
FWHM (D50)	46°		
Field Angle (D10)	84°		
H (distance)	2.5 mm		
Dimension	Φ =30mm, Thickness=15mm		
Luminous Flux	2311 lm	Measured @ 26.4 W	
Material	PC / UL94V2		

cd/klm

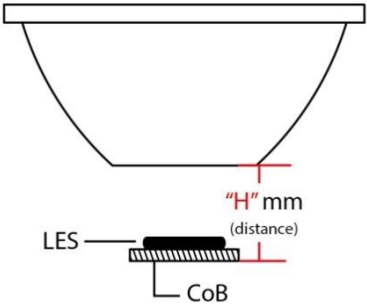


Illuminance At Distances

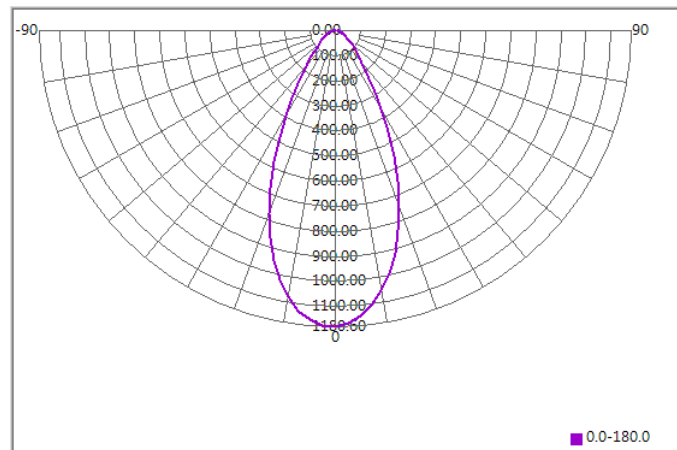




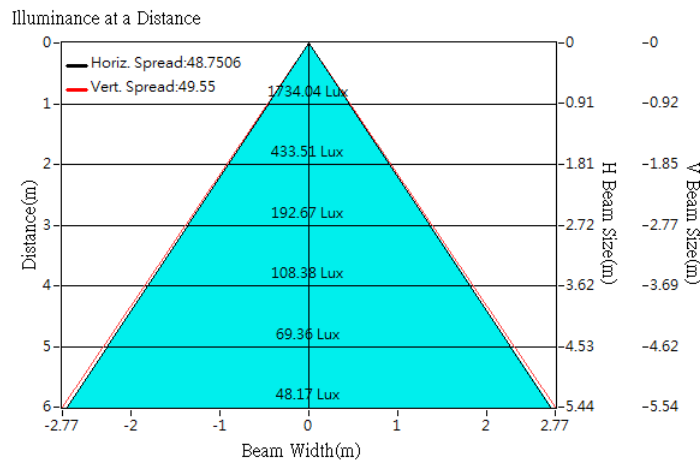
Optical Characteristics

Model Number	CKO-CH19-030015-2505		<p>"H" definition</p> 
LED	CLU 028		
LES / LED Size	Φ 9.8 mm		
FWHM (D50)	49°		
Field Angle (D10)	91°		
H (distance)	2.5 mm		
Dimension	Φ =30mm, Thickness=15mm		
Luminous Flux	1468 lm	Measured @ 12.5 W	
Material	PC / UL94V2		

cd/klm



Illuminance At Distances

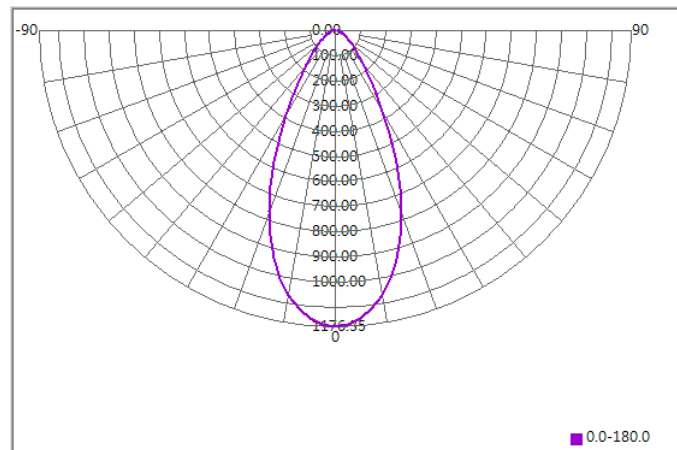




Optical Characteristics

Model Number	CKO-CH19-030015-2505		<p>"H" definition</p> <p>LES CoB</p>
LED	CLU 026		
LES / LED Size	Φ 9.8 mm		
FWHM (D50)	49°		
Field Angle (D10)	92°		
H (distance)	2.5 mm		
Dimension	Φ =30mm, Thickness=15mm		
Luminous Flux	1386 lm	Measured @ 12.5 W	
Material	PC / UL94V2		

cd/klm



Illuminance At Distances

