



Product Model Number

CKO-CH19-035018-2803

✓ Model Number Definitions

CKO-XXXX-XXXXXX-XXXX



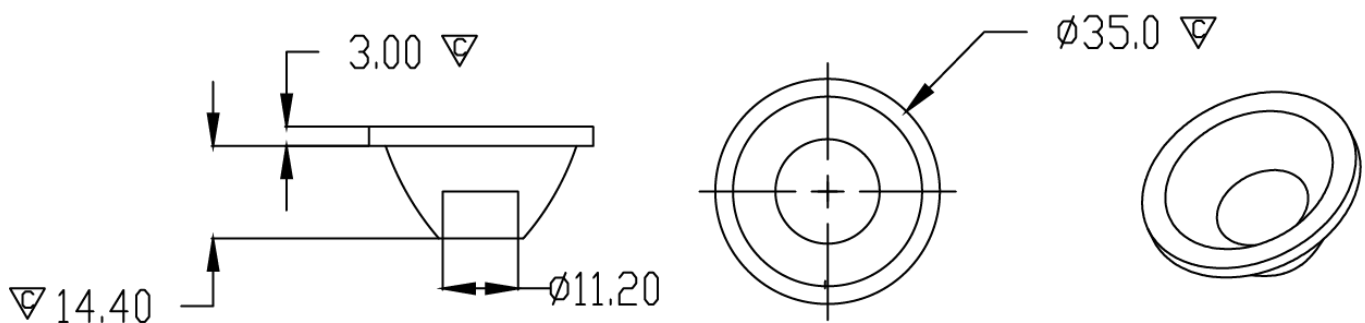
- A. Chun Kuang Optics Corp. Product
- B. Product Type: product abbreviation
Ex:
CH→CoB High Intensity
CC→CoB Compact
CS→Soft Shading for CoB LED
HC→Holder for CoB LED

- C. Identity Code
- D. Lens / Fixture Size
Ex: 075026=Φ75mm / Thickness=26mm (round up)
- E. Serial Numbers



The lens datasheet is applicable for **Cree LED**, that manufactured by Chun Kuang Optics Corp.

✓ Dimensions (mm) : Φ35 x 17.4



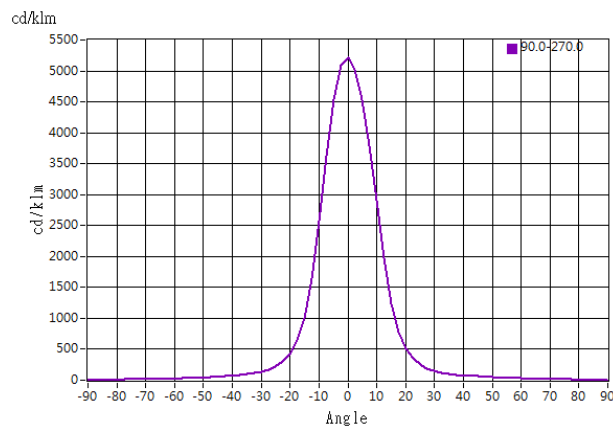
▽:Critical Dimension



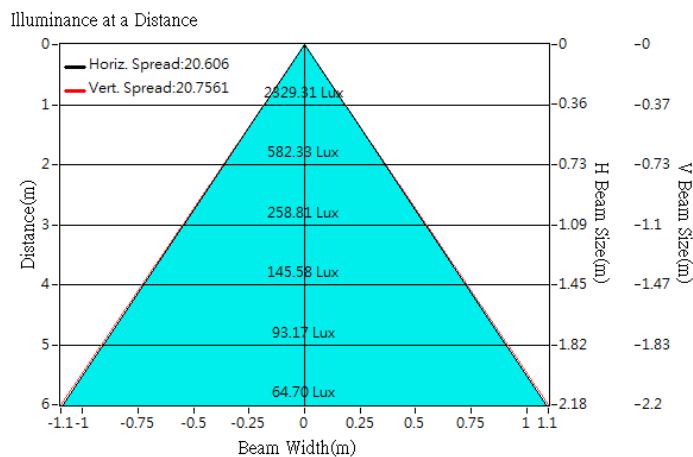
Optical Characteristics

Model Number	CKO-CH19-035018-2803		<p>"H" definition</p>
LED	XHP35-HI		
LES / LED Size	3.45 x 3.45		
FWHM (D50)	21°		
Field Angle (D10)	39°		
H (distance)	2.5 mm		
MCPCB Height	1.1 mm		
Dimension	Φ =35 mm, Thickness=17.4 mm		
Luminous Flux	447 lm	Measured @ 4.5 W	
Material	PC / UL94V2		

cd/klm

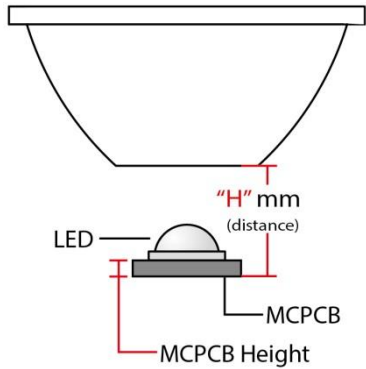


Illuminance At Distances

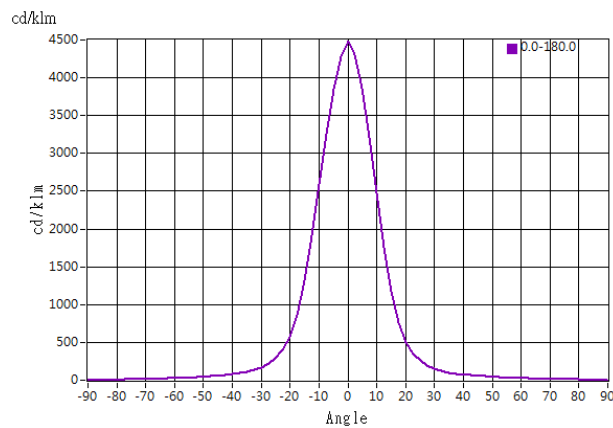




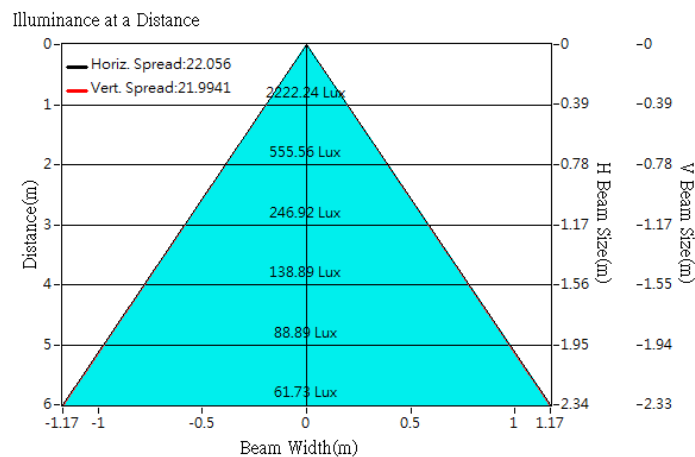
Optical Characteristics

Model Number	CKO-CH19-035018-2803		<p>"H" definition</p> 
LED	XHP35-HD		
LES / LED Size	3.45 x 3.45		
FWHM (D50)	22°		
Field Angle (D10)	43°		
H (distance)	2.5 mm		
MCPCB Height	1.1 mm		
Dimension	Φ =35 mm, Thickness=17.4 mm		
Luminous Flux	495 lm	Measured @ 4.5 W	
Material	PC / UL94V2		

cd/klm



Illuminance At Distances

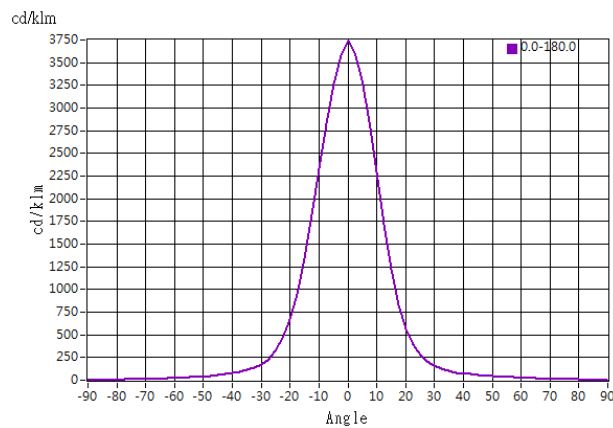




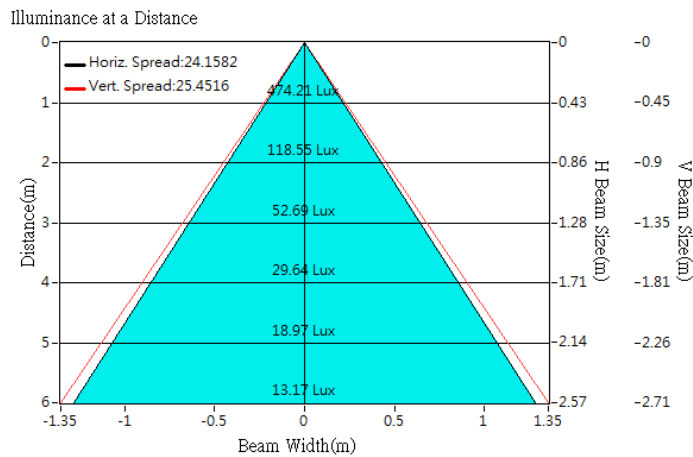
Optical Characteristics

Model Number	CKO-CH19-035018-2803		
LED	MHB		
LES / LED Size	5.0 x 5.0		
FWHM (D50)	24°		
Field Angle (D10)	47°		
H (distance)	2.5 mm		
MCPCB Height	1.6 mm		
Dimension	Φ =35 mm, Thickness=17.4 mm		
Luminous Flux	127 lm	Measured @ 1.0 W	
Material	PC / UL94V2		

cd/klm



Illuminance At Distances

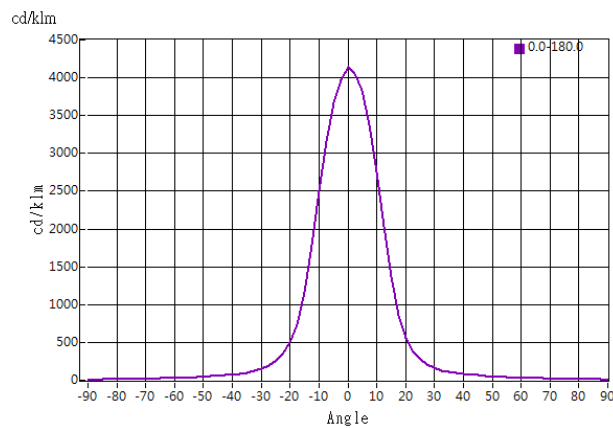




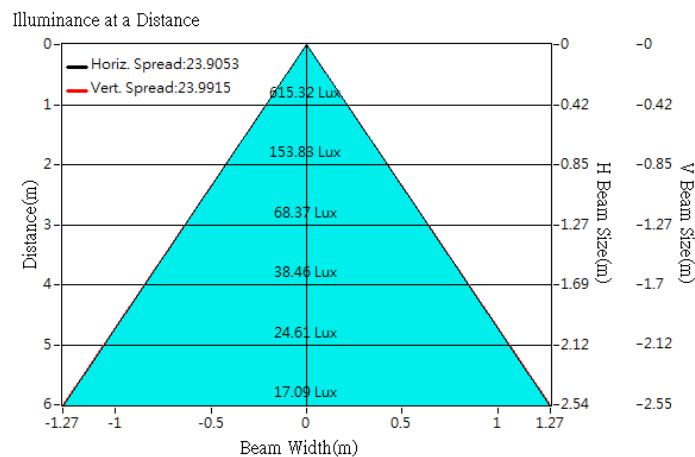
Optical Characteristics

Model Number	CKO-CH19-035018-2803		<p>"H" definition</p>
LED	XM-L		
LES / LED Size	5.0 x 5.0		
FWHM (D50)	24°		
Field Angle (D10)	43°		
H (distance)	2.5 mm		
MCPCB Height	1.6 mm		
Dimension	Φ =35 mm, Thickness=17.4 mm		
Luminous Flux	149 lm	Measured @ 3.2 W	
Material	PC / UL94V2		

cd/klm

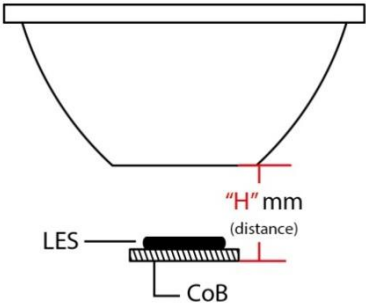


Illuminance At Distances

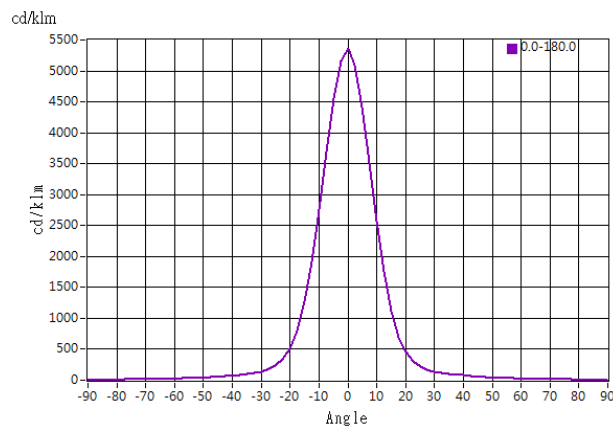




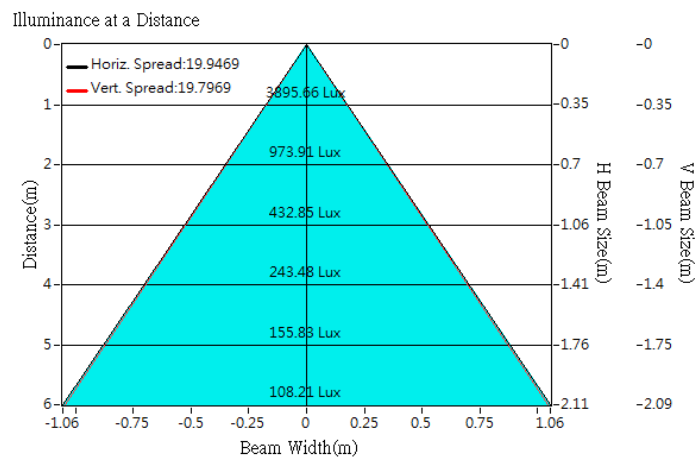
Optical Characteristics

Model Number	CKO-CH19-035018-2803	<p>"H" definition</p> 
LED	CMA1303	
LES / LED Size	Φ 4.5 mm	
FWHM (D50)	19°	
Field Angle (D10)	39°	
H (distance)	2.5 mm	
Dimension	Φ =35mm, Thickness=17.4mm	
Luminous Flux	726lm Measured @ 6.7 W	
Material	PC / UL94V2	

cd/klm

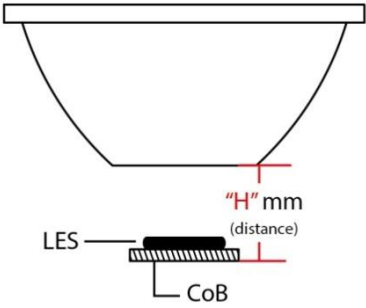


Illuminance At Distances

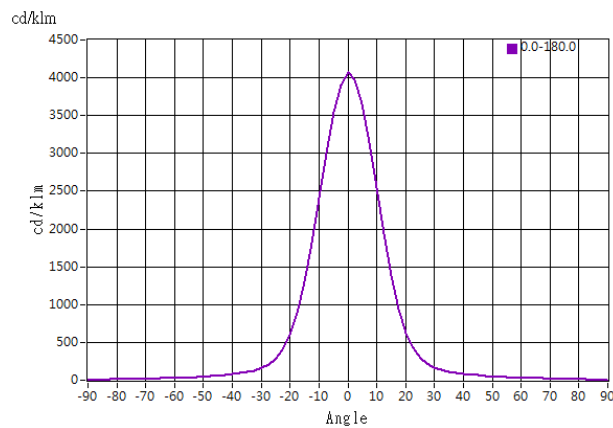




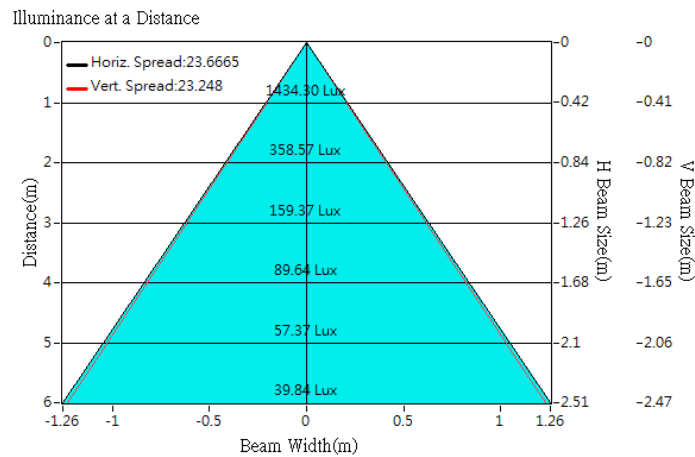
Optical Characteristics

Model Number	CKO-CH19-035018-2803		<p>"H" definition</p> 
LED	CXA1304		
LES / LED Size	Φ 6 mm		
FWHM (D50)	24°		
Field Angle (D10)	45°		
H (distance)	2.5 mm		
Dimension	Φ =35mm, Thickness=17.4mm		
Luminous Flux	352 lm	Measured @ 4.2 W	
Material	PC / UL94V2		

cd/klm

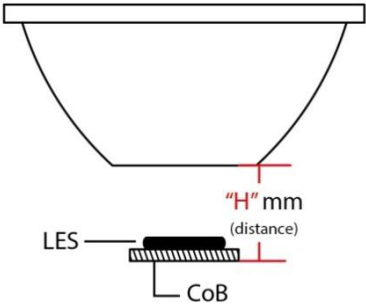


Illuminance At Distances

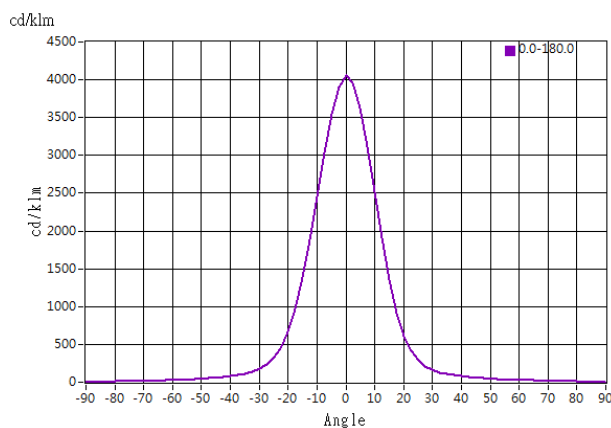




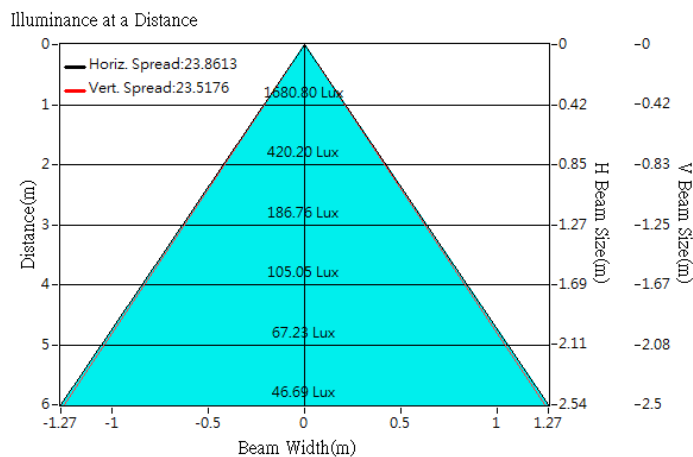
Optical Characteristics

Model Number	CKO-CH19-035018-2803	<p>"H" definition</p> 
LED	CXB1304	
LES / LED Size	Φ 6 mm	
FWHM (D50)	24°	
Field Angle (D10)	46°	
H (distance)	2.5 mm	
Dimension	Φ =35mm, Thickness=17.4mm	
Luminous Flux	414 lm Measured @ 3.5 W	
Material	PC / UL94V2	

cd/klm

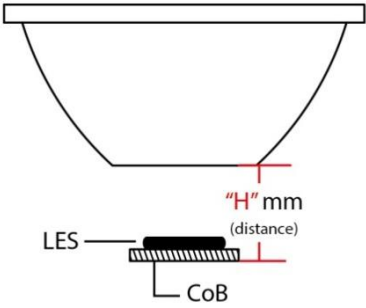


Illuminance At Distances

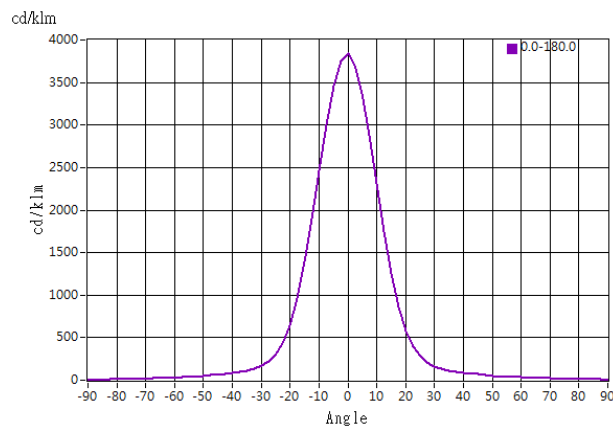




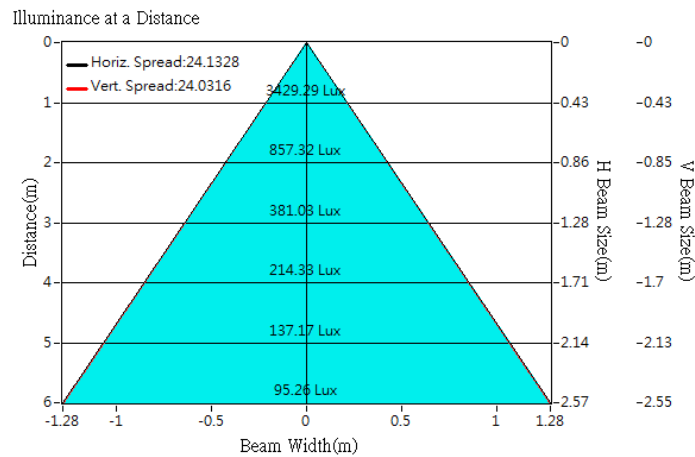
Optical Characteristics

Model Number	CKO-CH19-035018-2803	<p>"H" definition</p> 
LED	CXA1310	
LES / LED Size	Φ 6 mm	
FWHM (D50)	24°	
Field Angle (D10)	46°	
H (distance)	2.5 mm	
Dimension	Φ =35mm, Thickness=17.4mm	
Luminous Flux	893 lm	
Material	PC / UL94V2	

cd/klm



Illuminance At Distances

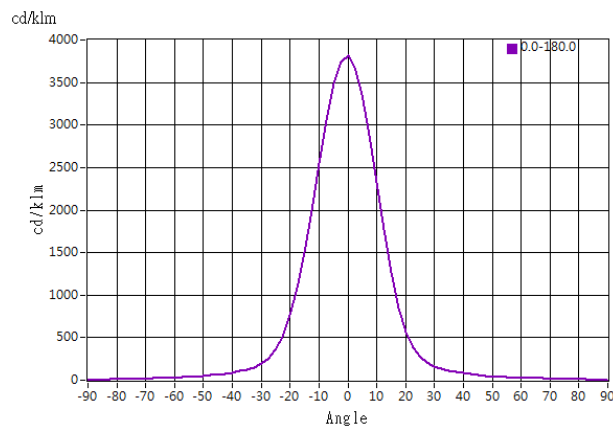




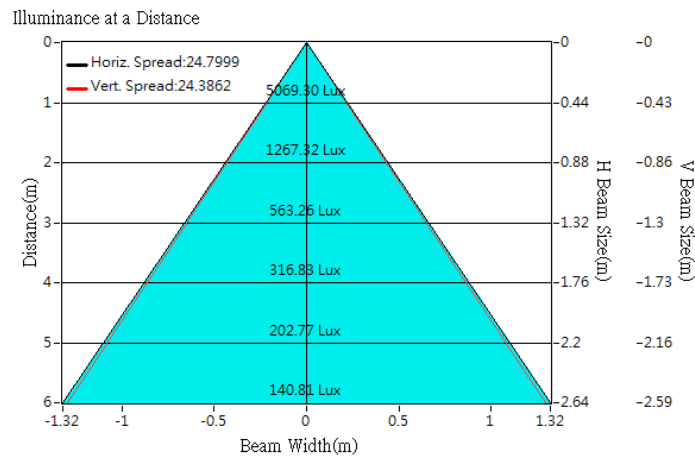
Optical Characteristics

Model Number	CKO-CH19-035018-2803		<p>"H" definition</p>
LED	CXB1310		
LES / LED Size	Φ 6 mm		
FWHM (D50)	25°		
Field Angle (D10)	47°		
H (distance)	2.5 mm		
Dimension	Φ =35mm, Thickness=17.4mm		
Luminous Flux	1329 lm	Measured @ 11.8 W	
Material	PC / UL94V2		

cd/klm

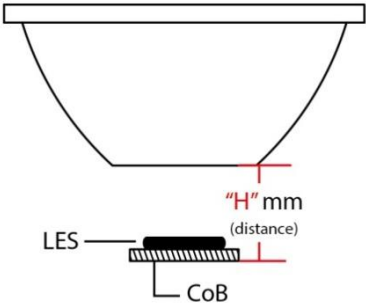


Illuminance At Distances

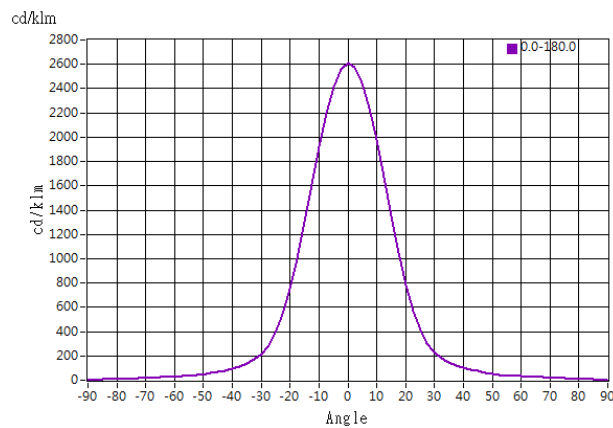




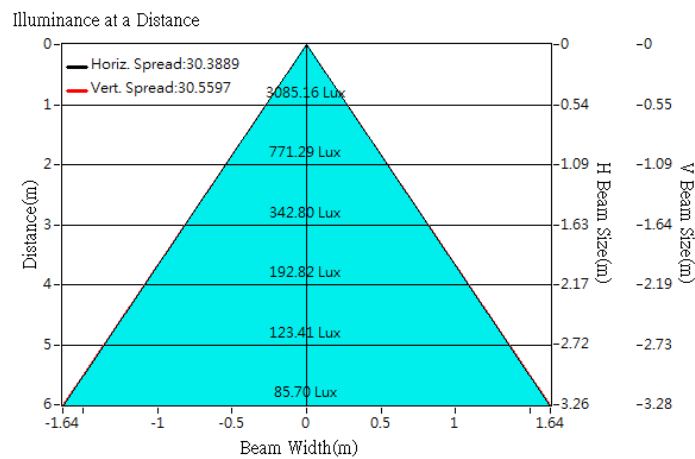
Optical Characteristics

Model Number	CKO-CH19-035018-2803	<p>"H" definition</p> 
LED	CXA1512	
LES / LED Size	Φ 9 mm	
FWHM (D50)	30°	
Field Angle (D10)	57°	
H (distance)	2.5 mm	
Dimension	Φ =35mm, Thickness=17.4mm	
Luminous Flux	1183 lm	
Material	PC / UL94V2	

cd/klm



Illuminance At Distances

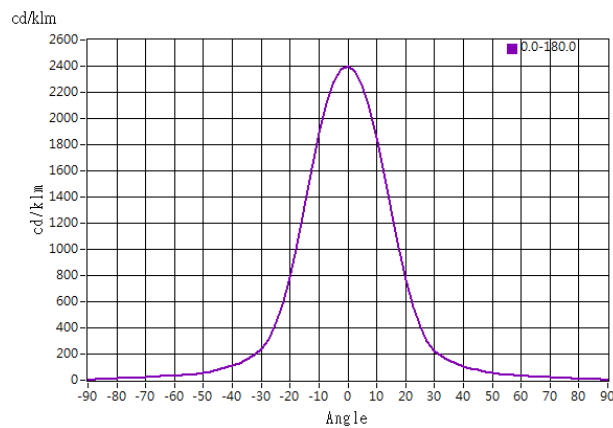




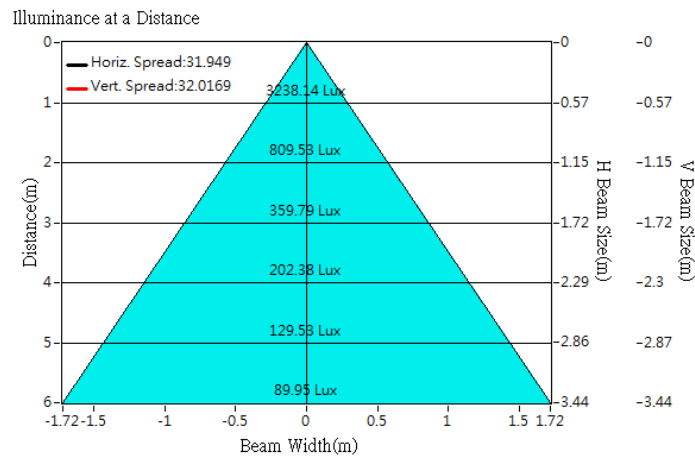
Optical Characteristics

Model Number	CKO-CH19-035018-2803		<p>"H" definition</p>
LED	CXB1512		
LES / LED Size	Φ 9 mm		
FWHM (D50)	32°		
Field Angle (D10)	60°		
H (distance)	2.5 mm		
Dimension	Φ =35mm, Thickness=17.4mm		
Luminous Flux	1348 lm	Measured @ 12.0 W	
Material	PC / UL94V2		

cd/klm

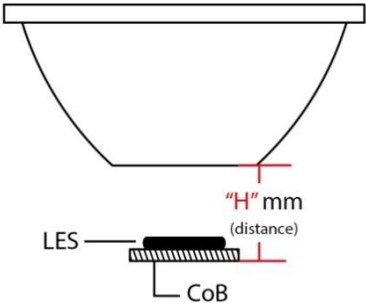


Illuminance At Distances

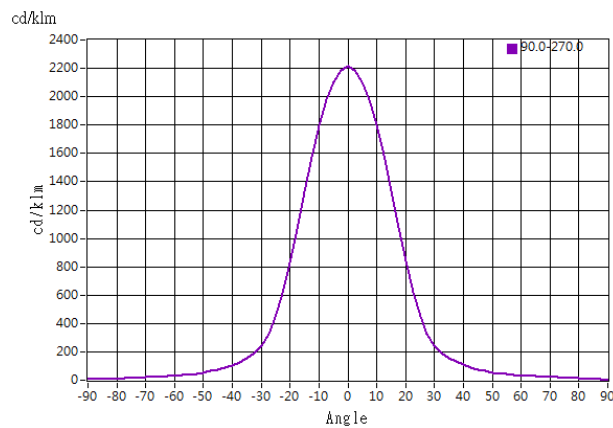




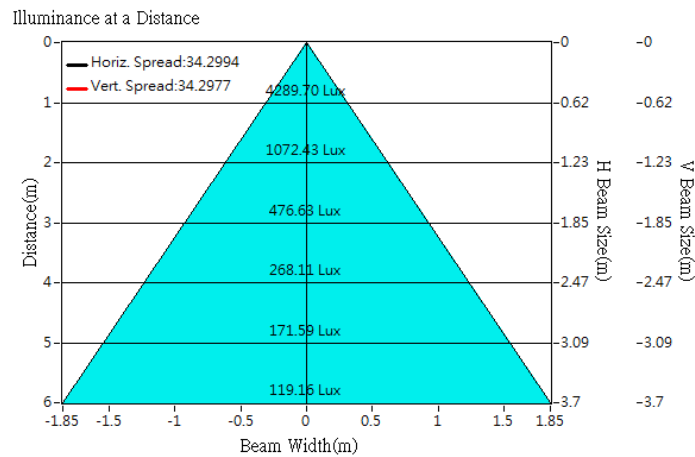
Optical Characteristics

Model Number	CKO-CH19-035018-2803		<p>"H" definition</p> 
LED	CXB1520		
LES / LED Size	Φ 9 mm		
FWHM (D50)	34°		
Field Angle (D10)	61°		
H (distance)	2.5 mm		
Dimension	Φ =35mm, Thickness=17.4mm		
Luminous Flux	1938 lm	Measured @ 16.8 W	
Material	PC / UL94V2		

cd/klm

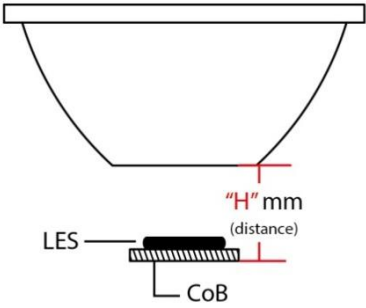


Illuminance At Distances

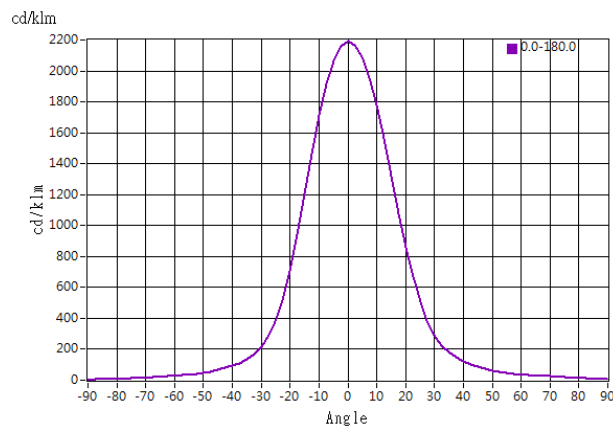




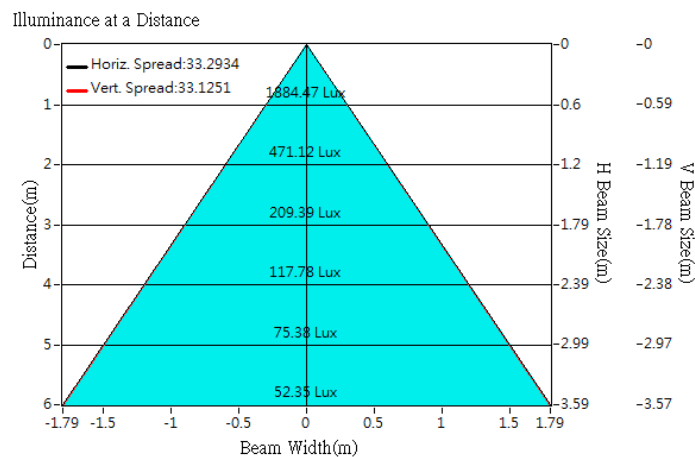
Optical Characteristics

Model Number	CKO-CH19-035018-2803	<p>"H" definition</p> 
LED	CMT1407	
LES / LED Size	Φ 9.8 mm	
FWHM (D50)	33°	
Field Angle (D10)	63°	
H (distance)	2.5 mm	
Dimension	Φ =35mm, Thickness=17.4mm	
Luminous Flux	859 lm Measured @ 7 W	
Material	PC / UL94V2	

cd/klm



Illuminance At Distances

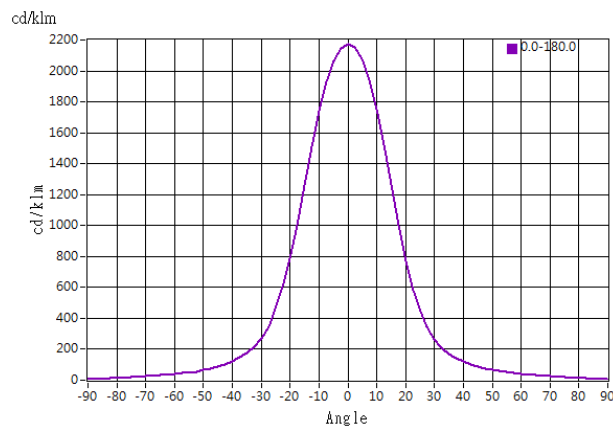




Optical Characteristics

Model Number	CKO-CH19-035018-2803	<p>"H" definition</p>
LED	CMT1412	
LES / LED Size	Φ 9.8 mm	
FWHM (D50)	33°	
Field Angle (D10)	65°	
H (distance)	2.5 mm	
Dimension	Φ =35mm, Thickness=17.4mm	
Luminous Flux	1391 lm	
Material	PC / UL94V2	

cd/klm



Illuminance At Distances

