



## Product Model Number

CKO-CH19-035018-2805

### ✓ Model Number Definitions

**CKO-XXXX-XXXXXX-XXXX**

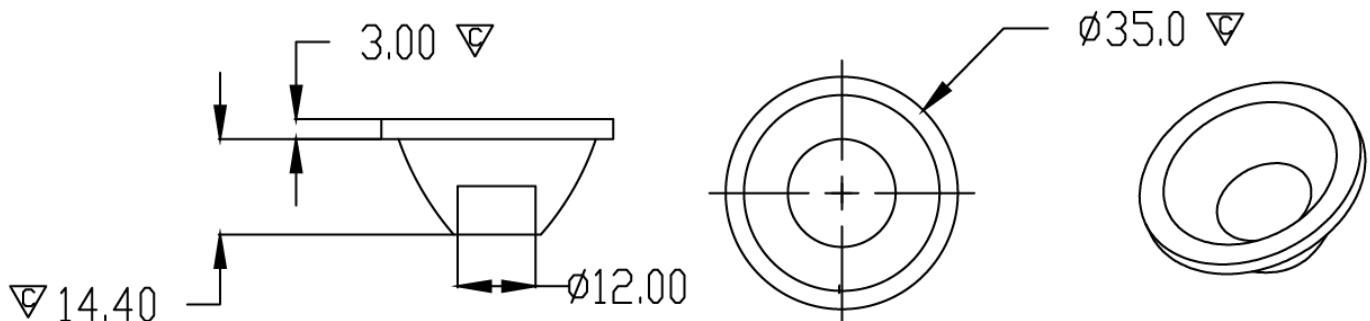


- A. Chun Kuang Optics Corp. Product
- B. Product Type: product abbreviation  
Ex:  
CH→CoB High Intensity  
CC→CoB Compact  
CS→Soft Shading for CoB LED  
HC→Holder for CoB LED

- C. Identity Code
- D. Lens / Fixture Size  
Ex: 075026=Φ75mm / Thickness=26mm (round up)
- E. Serial Numbers

The lens datasheet is applicable for **Cree LED**, that manufactured by Chun Kuang Optics Corp.

### ✓ Dimensions (mm) : Φ35 x 17.4



▽:Critical Dimension

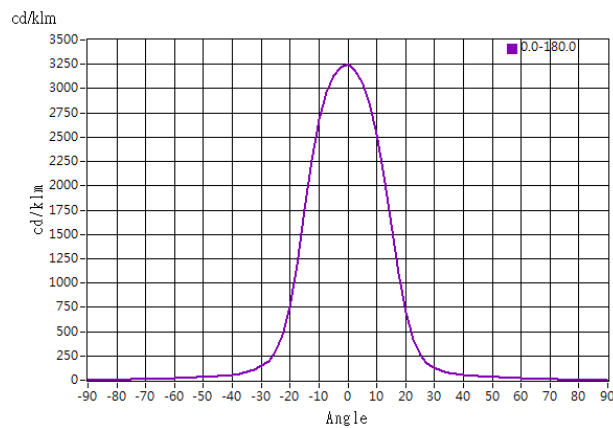




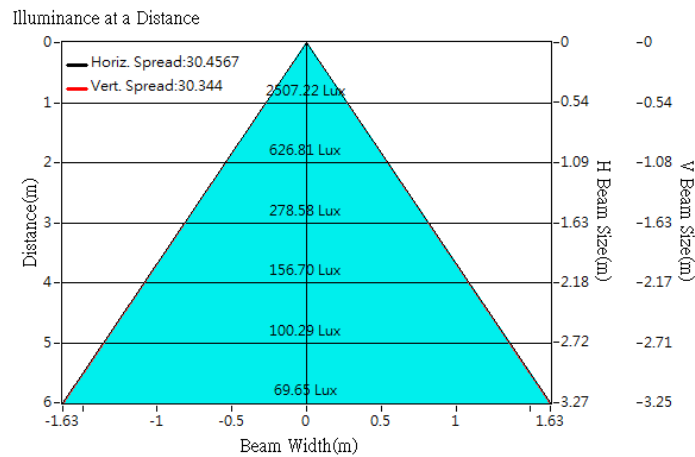
## Optical Characteristics

Model Number	CKO-CH19-035018-2805		<p>"H" definition</p>
LED	CMA1303		
LES / LED Size	Φ 4.5 mm		
FWHM (D50)	30°		
Field Angle (D10)	49°		
H (distance)	2.5 mm		
Dimension	Φ =35mm, Thickness=17.4mm		
Luminous Flux	771 lm	Measured @ 6.7 W	
Material	PC / UL94V2		

## cd/klm

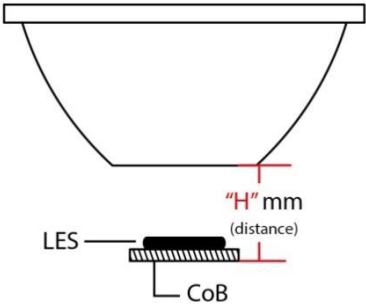


## Illuminance At Distances

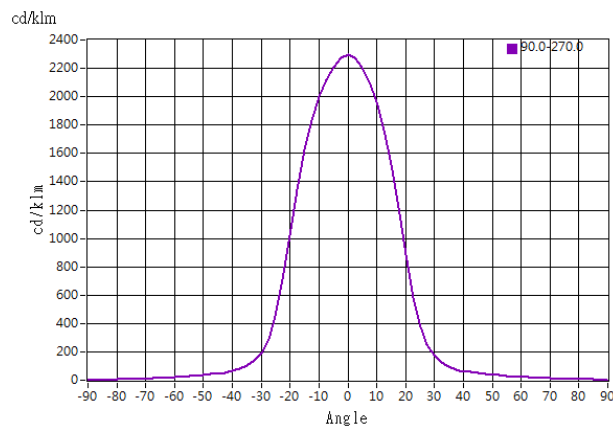




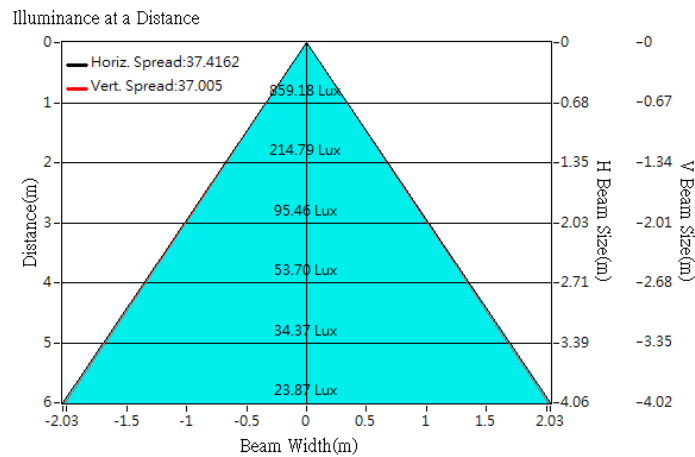
## Optical Characteristics

Model Number	CKO-CH19-035018-2805		<p>"H" definition</p> 
LED	CXA1304		
LES / LED Size	Φ 6 mm		
FWHM (D50)	37°		
Field Angle (D10)	57°		
H (distance)	2.5 mm		
Dimension	Φ =35mm, Thickness=17.4mm		
Luminous Flux	374 lm	Measured @ 4.2 W	
Material	PC / UL94V2		

## cd/klm



## Illuminance At Distances

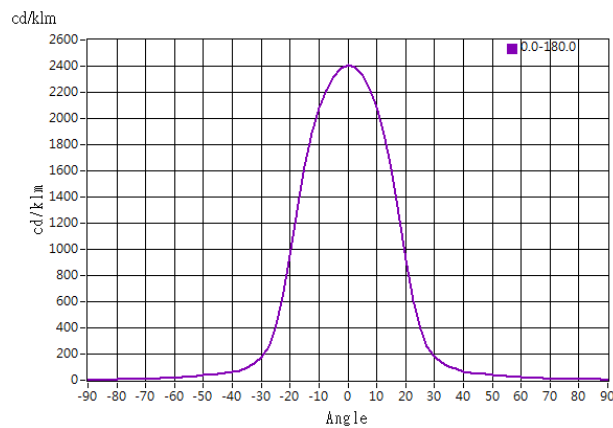




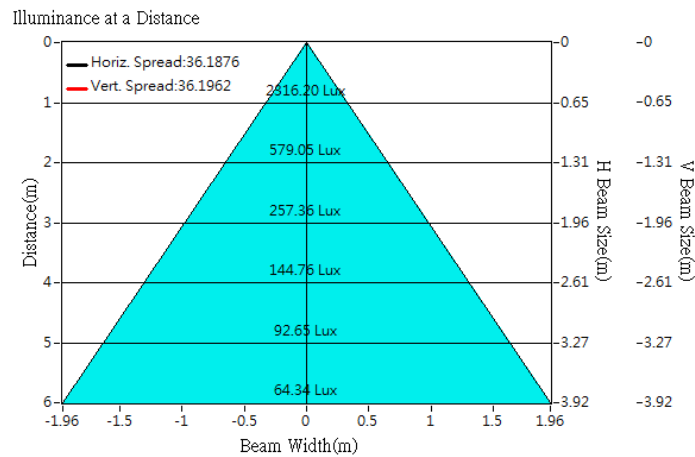
## Optical Characteristics

Model Number	CKO-CH19-035018-2805	<p>"H" definition</p>
LED	CXA1310	
LES / LED Size	Φ 6 mm	
FWHM (D50)	36°	
Field Angle (D10)	56°	
H (distance)	2.5 mm	
Dimension	Φ =35mm, Thickness=17.4mm	
Luminous Flux	963 lm	
Material	PC / UL94V2	

## cd/klm



## Illuminance At Distances

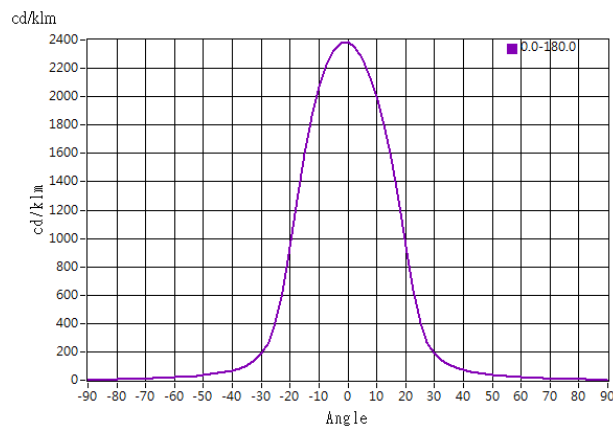




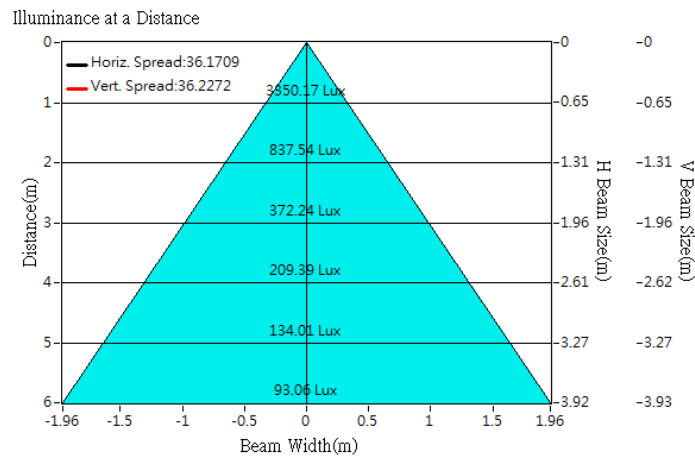
## Optical Characteristics

Model Number	CKO-CH19-035018-2805	<p>"H" definition</p>
LED	CXB1310	
LES / LED Size	Φ 6 mm	
FWHM (D50)	36°	
Field Angle (D10)	57°	
H (distance)	2.5 mm	
Dimension	Φ =35mm, Thickness=17.4mm	
Luminous Flux	1405 lm	
Material	PC / UL94V2	

## cd/klm

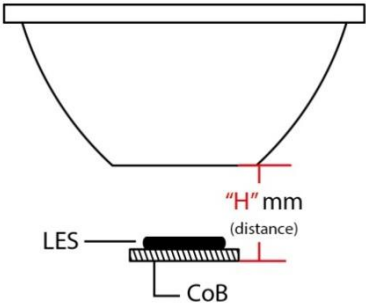


## Illuminance At Distances

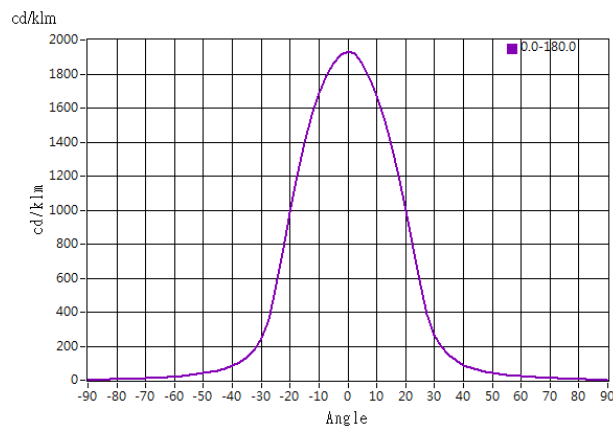




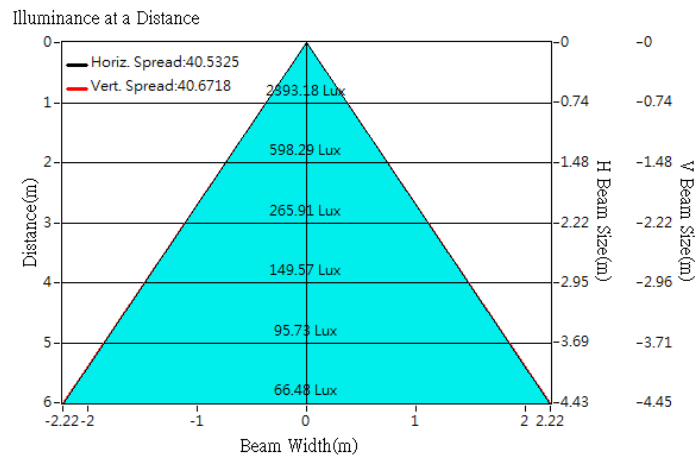
## Optical Characteristics

Model Number	CKO-CH19-035018-2805	<p>"H" definition</p> 
LED	CXA1512	
LES / LED Size	Φ 9 mm	
FWHM (D50)	41°	
Field Angle (D10)	65°	
H (distance)	2.5 mm	
Dimension	Φ =35mm, Thickness=17.4mm	
Luminous Flux	1237 lm	
Material	PC / UL94V2	

## cd/klm



## Illuminance At Distances

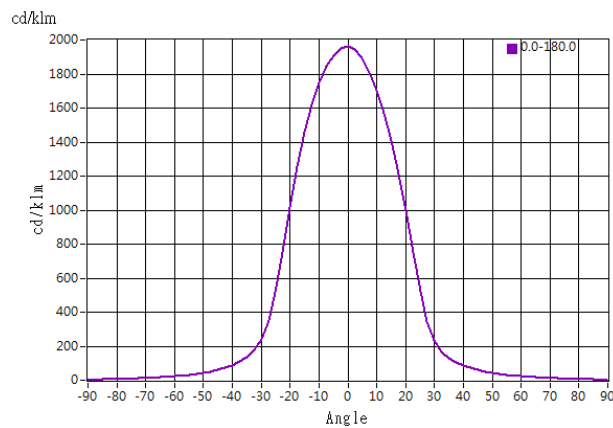




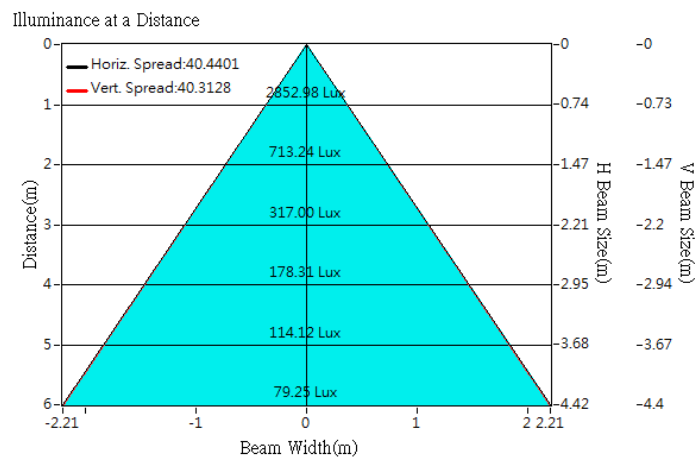
## Optical Characteristics

Model Number	CKO-CH19-035018-2805		<p>"H" definition</p>
LED	CXB1512		
LES / LED Size	Φ 9 mm		
FWHM (D50)	40°		
Field Angle (D10)	63°		
H (distance)	2.5 mm		
Dimension	Φ =35mm, Thickness=17.4mm		
Luminous Flux	1452 lm	Measured @ 12.0 W	
Material	PC / UL94V2		

## cd/klm



## Illuminance At Distances

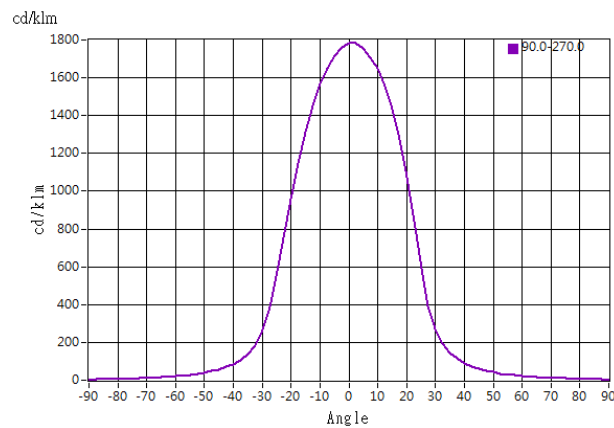




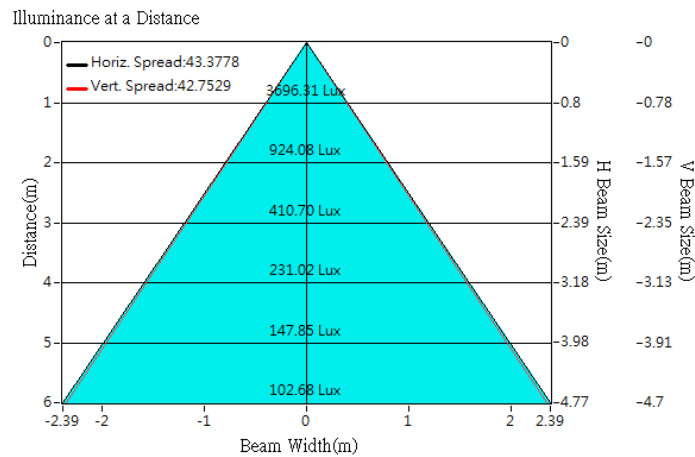
## Optical Characteristics

Model Number	CKO-CH19-035018-2805	<p>"H" definition</p> <p>LES CoB</p>
LED	<b>CXB1520</b>	
LES / LED Size	Φ 9 mm	
FWHM (D50)	43°	
Field Angle (D10)	67°	
H (distance)	2.5 mm	
Dimension	Φ =35mm, Thickness=17.4mm	
Luminous Flux	2070 lm	
Material	PC / UL94V2	

## cd/klm

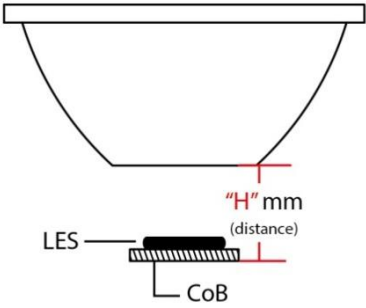


## Illuminance At Distances

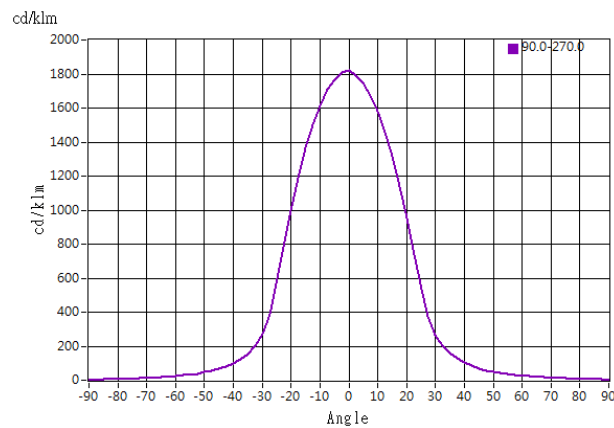




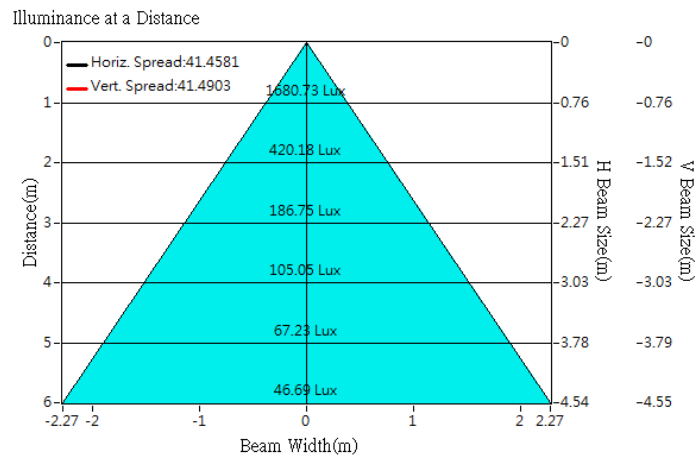
## Optical Characteristics

Model Number	CKO-CH19-035018-2805	<p>"H" definition</p> 
LED	<b>CMT1407</b>	
LES / LED Size	Φ 9.8 mm	
FWHM (D50)	41°	
Field Angle (D10)	67°	
H (distance)	2.5 mm	
Dimension	Φ =35mm, Thickness=17.4mm	
Luminous Flux	924 lm Measured @ 7.0 W	
Material	PC / UL94V2	

## cd/klm



## Illuminance At Distances

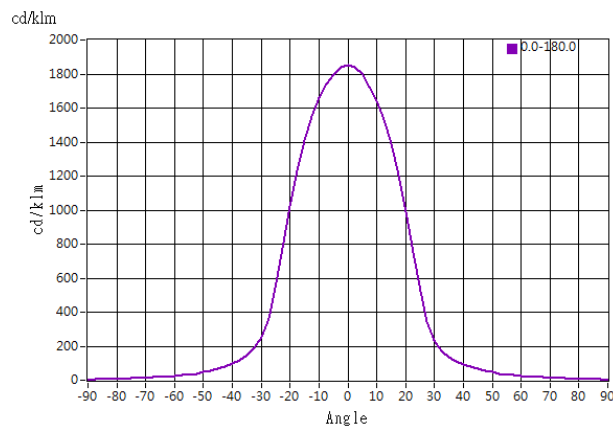




## Optical Characteristics

Model Number	CKO-CH19-035018-2805	<p>"H" definition</p>
LED	<b>CMT1412</b>	
LES / LED Size	Φ 9.8 mm	
FWHM (D50)	42°	
Field Angle (D10)	65°	
H (distance)	2.5 mm	
Dimension	Φ =35mm, Thickness=17.4mm	
Luminous Flux	1560 lm	
Material	PC / UL94V2	

## cd/klm



## Illuminance At Distances

