



Product Model Number

CKO-CS15-060027-4201

✓ Model Number Definitions

CKO-XXXX-XXXXXX-XXXX

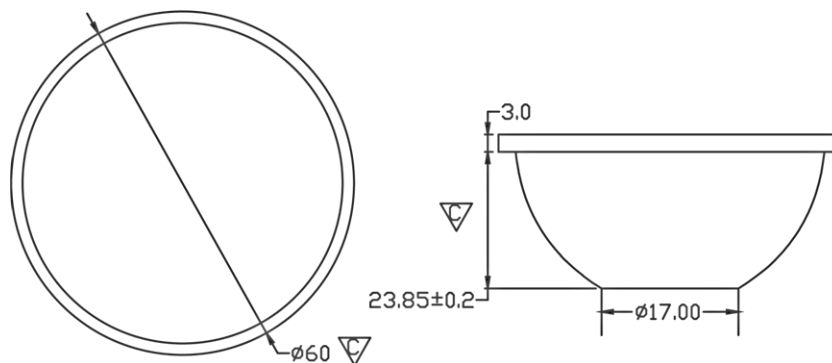


- A. Chun Kuang Optics Corp. Product
- B. Product Type: product abbreviation
Ex:
CH→CoB High Intensity
CC→CoB Compact
CS→Soft Shading for CoB LED
HC→Holder for CoB LED

- C. Identity Code
- D. Lens / Fixture Size
Ex: 075026=Φ75mm / Thickness=26mm (round up)
- C. Serial Numbers

The lens datasheet is applicable for **Citizen LED**, that manufactured by Chun Kuang Optics Corp.

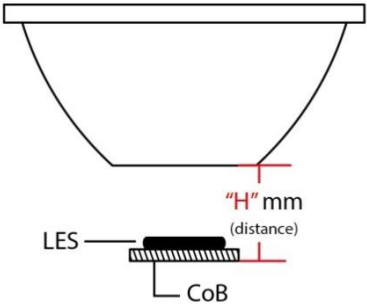
✓ Dimensions (mm) : Φ60 x 26.85



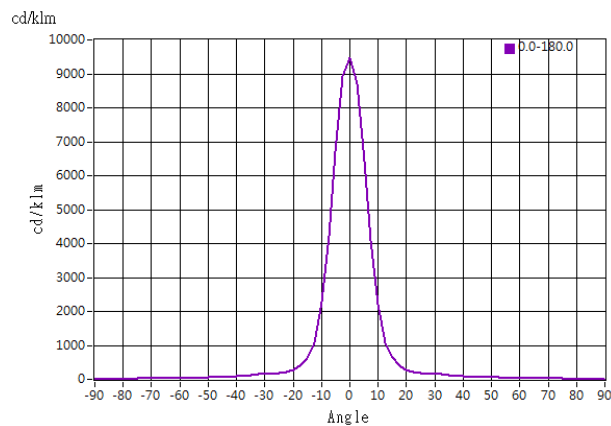
▽:Critical Dimension



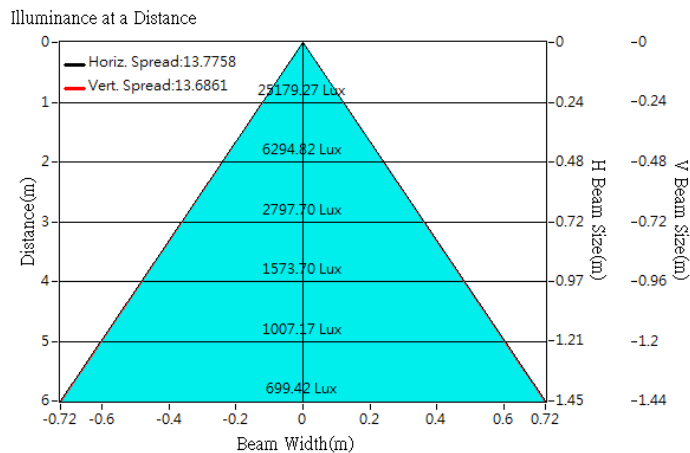
Optical Characteristics

Model Number	CKO-CS15-060027-4201		<p>"H" definition</p> 
LED	CLU 711		
LES / LED Size	Φ 8.5 mm		
FWHM (D50)	13°		
Field Angle (D10)	27°		
H (distance)	3.65 mm		
Dimension	Φ =60 mm, Thickness=26.85 mm		
Luminous Flux	2656 lm	Measured @ 25.6 W	
Material	PC / UL94V2		

cd/klm

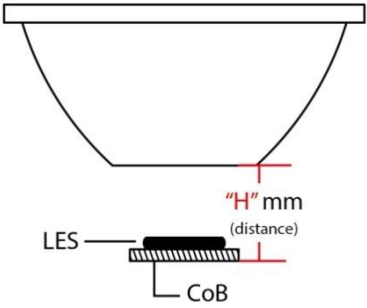


Illuminance At Distances

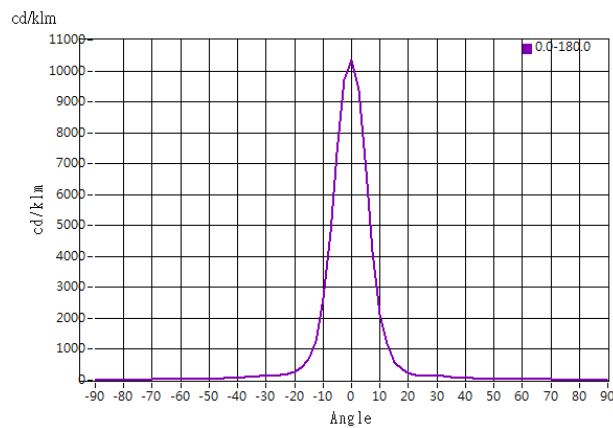




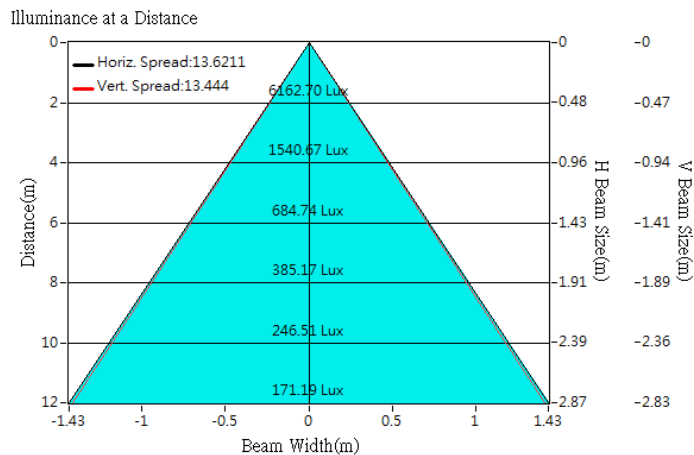
Optical Characteristics

Model Number	CKO-CS15-060027-4201		<p>"H" definition</p> 
LED	CLU 710		
LES / LED Size	Φ 8.5 mm		
FWHM (D50)	13°		
Field Angle (D10)	27°		
H (distance)	3.65 mm		
Dimension	Φ =60 mm, Thickness=26.85 mm		
Luminous Flux	2377 lm	Measured @ 26.2 W	
Material	PC / UL94V2		

cd/klm



Illuminance At Distances

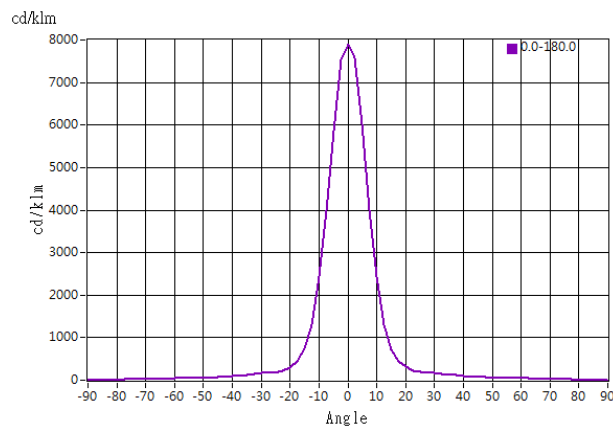




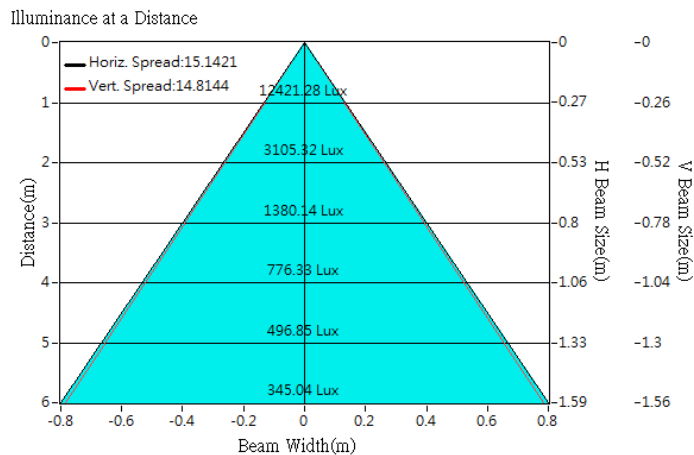
Optical Characteristics

Model Number	CKO-CS15-060027-4201		<p>"H" definition</p>
LED	CLU 028		
LES / LED Size	Φ 9.8 mm		
FWHM (D50)	15°		
Field Angle (D10)	29°		
H (distance)	3.65 mm		
Dimension	Φ =60 mm, Thickness=26.85 mm		
Luminous Flux	1570 lm	Measured @ 12.7 W	
Material	PC / UL94V2		

cd/klm



Illuminance At Distances

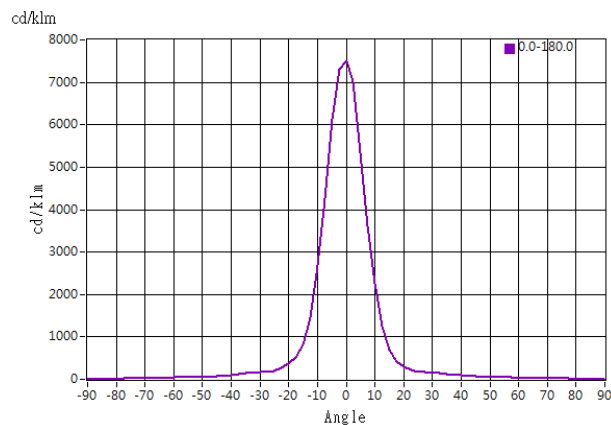




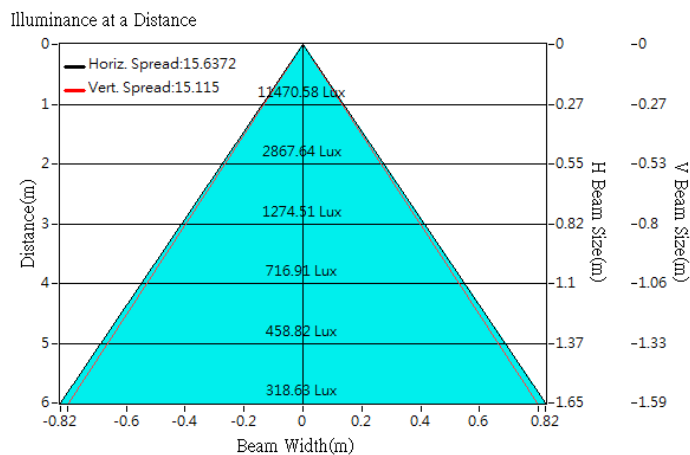
Optical Characteristics

Model Number	CKO-CS15-060027-4201	<p>"H" definition</p>
LED	CLU 026	
LES / LED Size	Φ 9.8 mm	
FWHM (D50)	15°	
Field Angle (D10)	30°	
H (distance)	3.65 mm	
Dimension	Φ =60 mm, Thickness=26.85 mm	
Luminous Flux	1530 lm	
Material	PC / UL94V2	

cd/klm



Illuminance At Distances

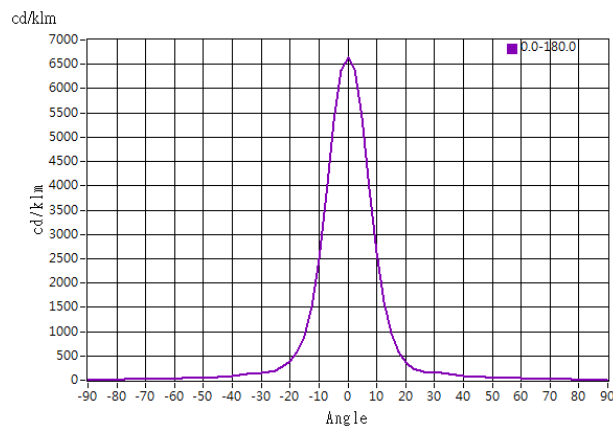




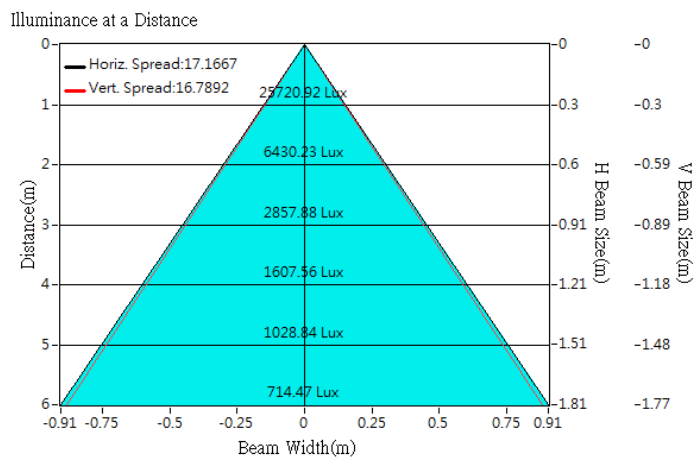
Optical Characteristics

Model Number	CKO-CS15-060027-4201		<p>"H" definition</p>
LED	CLU 721		
LES / LED Size	Φ 11 mm		
FWHM (D50)	17°		
Field Angle (D10)	34°		
H (distance)	3.65 mm		
Dimension	Φ =60 mm, Thickness=26.85 mm		
Luminous Flux	3876 lm	Measured @ 38.9 W	
Material	PC / UL94V2		

cd/klm



Illuminance At Distances

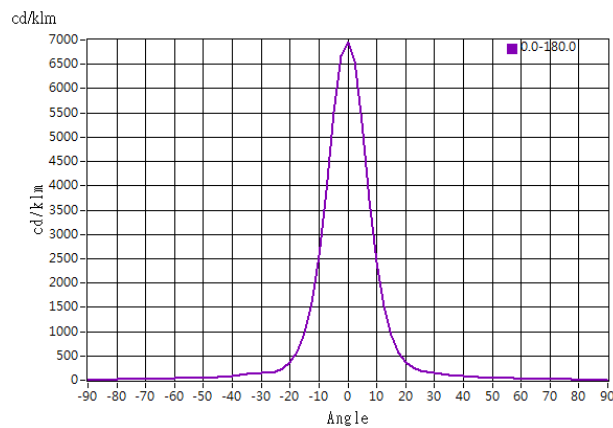




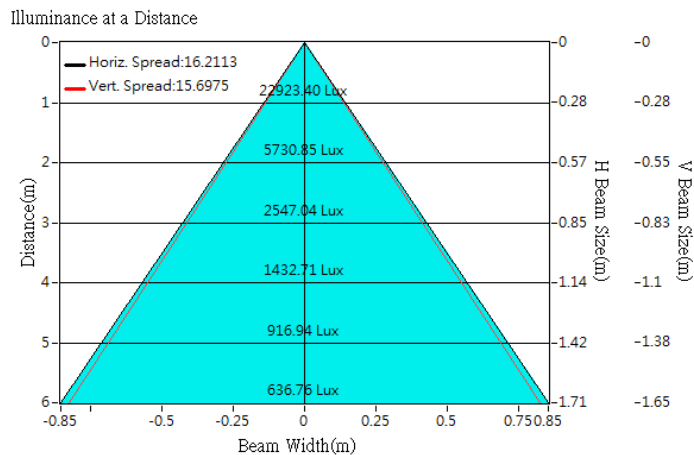
Optical Characteristics

Model Number	CKO-CS15-060027-4201		<p>"H" definition</p>
LED	CLU 720		
LES / LED Size	Φ 11 mm		
FWHM (D50)	16°		
Field Angle (D10)	33°		
H (distance)	3.65 mm		
Dimension	Φ =60 mm, Thickness=26.85 mm		
Luminous Flux	3293 lm	Measured @ 38.5 W	
Material	PC / UL94V2		

cd/klm

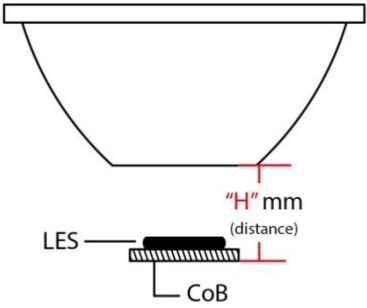


Illuminance At Distances

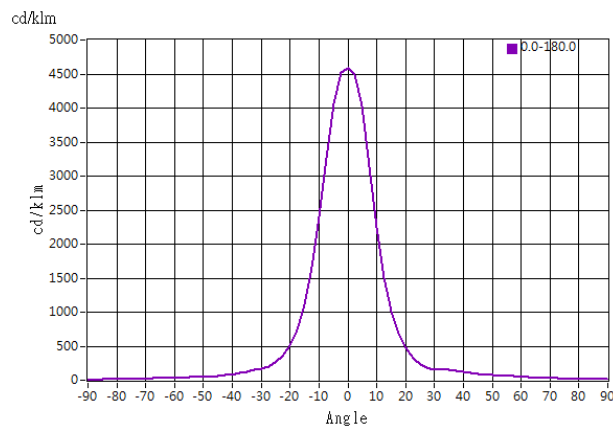




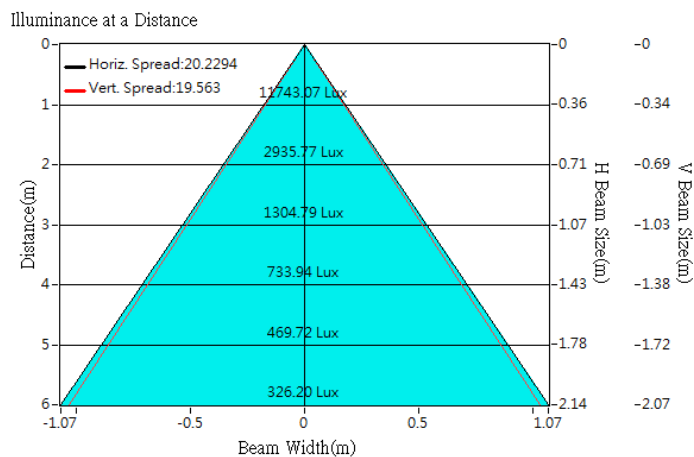
Optical Characteristics

Model Number	CKO-CS15-060027-4201		<p>"H" definition</p> 
LED	CLU 038		
LES / LED Size	Φ 14.5 mm		
FWHM (D50)	20°		
Field Angle (D10)	41°		
H (distance)	3.65 mm		
Dimension	Φ =60 mm, Thickness=26.85 mm		
Luminous Flux	2561 lm	Measured @ 25.4 W	
Material	PC / UL94V2		

cd/klm



Illuminance At Distances

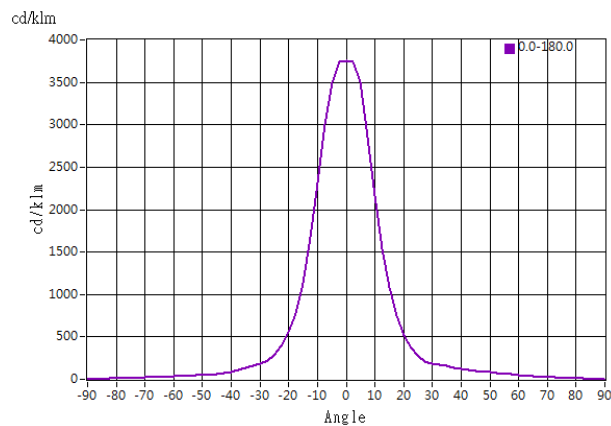




Optical Characteristics

Model Number	CKO-CS15-060027-4201		<p>"H" definition</p> <p>LES CoB</p>
LED	CLU 036		
LES / LED Size	Φ 14.5 mm		
FWHM (D50)	23°		
Field Angle (D10)	45°		
H (distance)	3.65 mm		
Dimension	Φ =60 mm, Thickness=26.85 mm		
Luminous Flux	1866 lm	Measured @ 15.7 W	
Material	PC / UL94V2		

cd/klm



Illuminance At Distances

