



## Product Model Number

**CKO-CS15-060027-4204**

### ✓ Model Number Definitions

**CKO-XXXX-XXXXXX-XXXX**

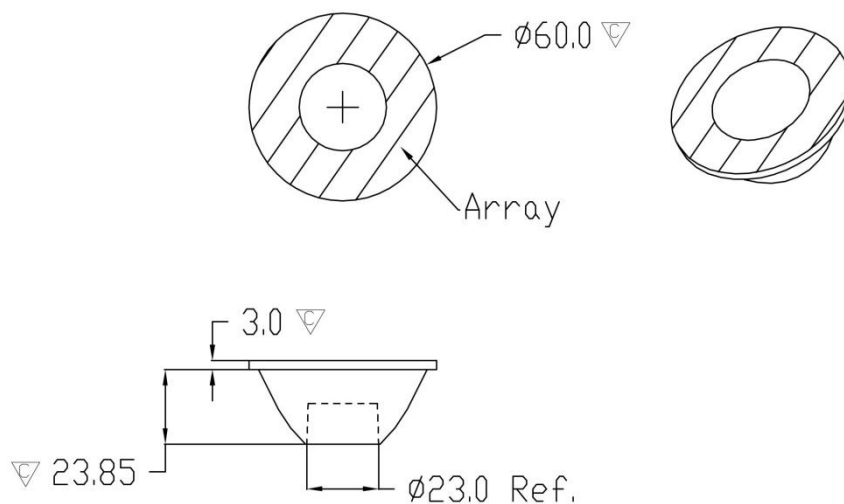


- A. Chun Kuang Optics Corp. Product
- B. Product Type: product abbreviation  
Ex:  
CH→CoB High Intensity  
CC→CoB Compact  
CS→Soft Shading for CoB LED  
HC→Holder for CoB LED

- C. Identity Code
- D. Lens / Fixture Size  
Ex: 075026=Φ75mm / Thickness=26mm (round up)
- C. Serial Numbers

The lens datasheet is applicable for **Nichia** LED, that manufactured by Chun Kuang Optics Corp.

### ✓ Dimensions (mm) : Φ60 x 26.85

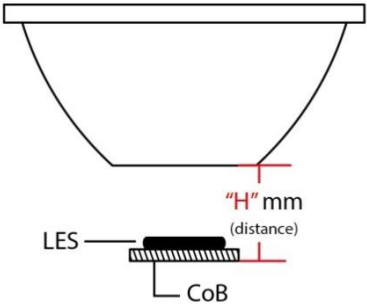


▽:Critical Dimension

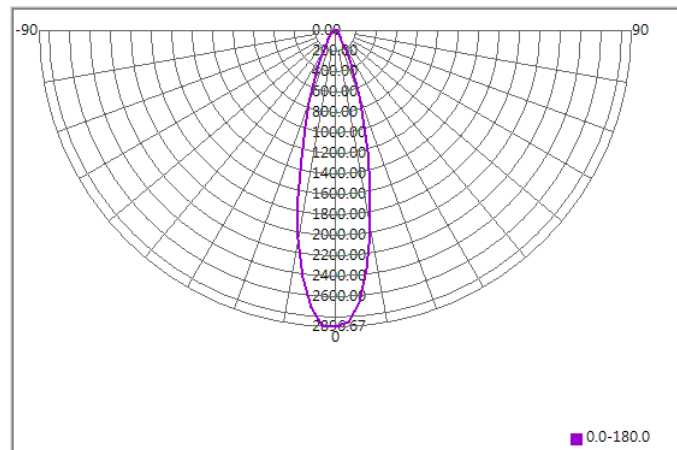




## Optical Characteristics

Model Number	CKO-CS15-060027-4204		<p>"H" definition</p> 
LED	<b>NFDWJ130B</b>		
LES / LED Size	Φ 14.6 mm		
FWHM (D50)	27°		
Field Angle (D10)	54°		
H (distance)	3.65 mm		
Dimension	Φ =60 mm, Thickness=26.85 mm		
Luminous Flux	4502 lm	Measured @ 43.1 W	
Material	PC / UL94V2		

## cd/klm



## Illuminance At Distances

