

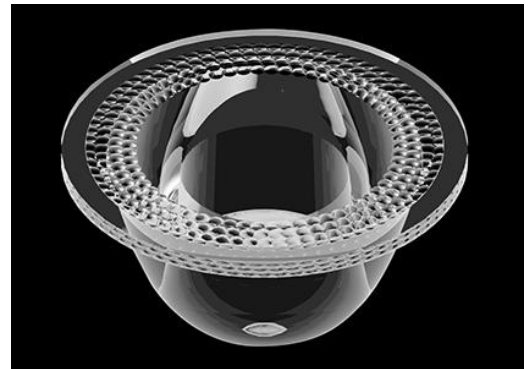


Product Model Number

CKO-CS15-075033-4008

✓ Model Number Definitions

CKO-XXXX-XXXXXX-XXXX

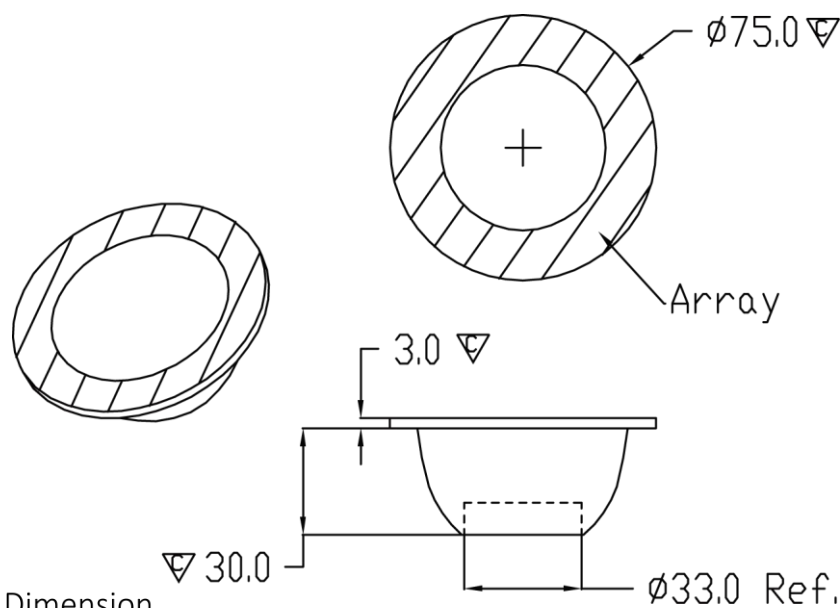


- A. Chun Kuang Optics Corp. Product
- B. Product Type: product abbreviation
Ex:
CH→CoB High Intensity
CC→CoB Compact
CS→Soft Shading for CoB LED
HC→Holder for CoB LED

- C. Identity Code
- D. Lens / Fixture Size
Ex: 075026=Φ75mm / Thickness=26mm (round up)
- E. Serial Numbers

The lens datasheet is applicable for **Luminus LED**, that manufactured by Chun Kuang Optics Corp.

✓ Dimensions (mm) : Φ75 x 33



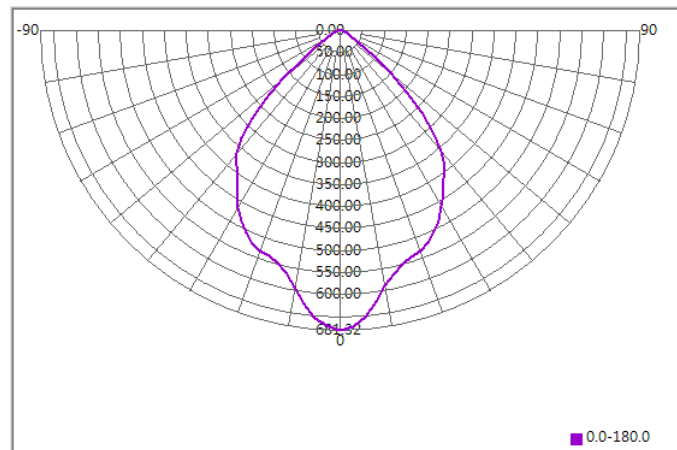
▽:Critical Dimension



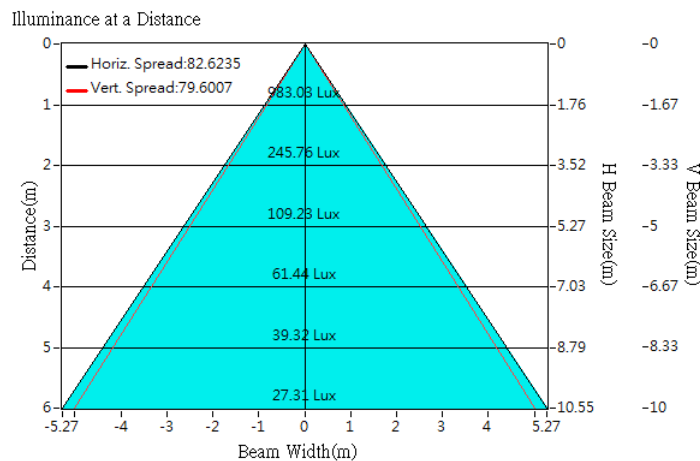
Optical Characteristics

Model Number	CKO-CS15-075033-4008		<p>"H" definition</p> <p>LES CoB</p>
LED	CXM-9-AC40		
LES / LED Size	Φ 9.8 mm		
FWHM (D50)	83°		
Field Angle (D10)	111°		
H (distance)	3.65 mm		
Dimension	Φ =75 mm, Thickness= 33 mm		
Luminous Flux	1442 lm	Measured @ 12.1 W	
Material	PC / UL94V2		

cd/klm



Illuminance At Distances

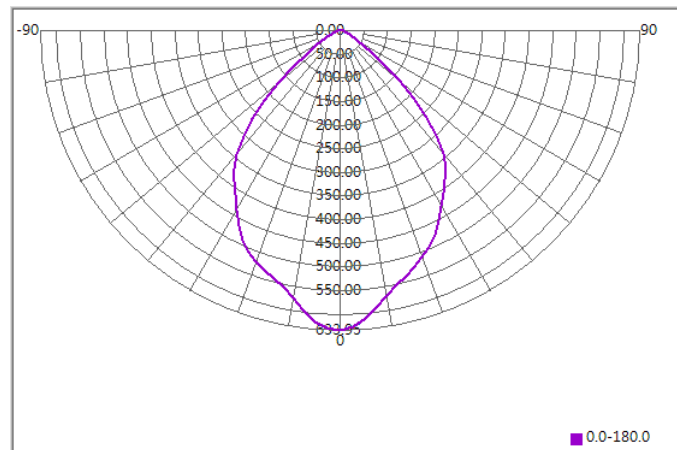




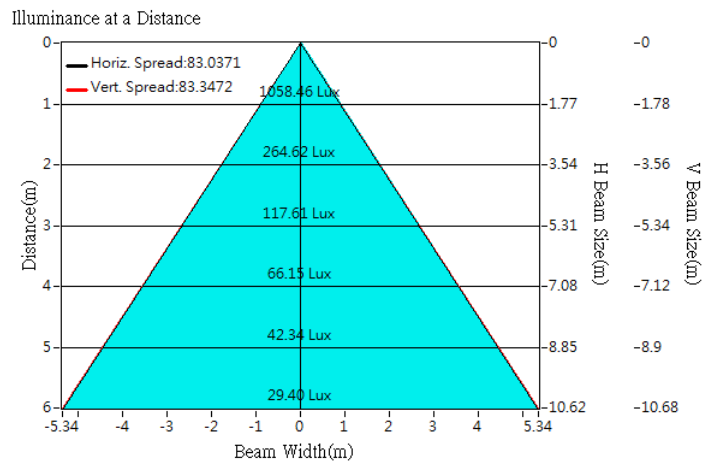
Optical Characteristics

Model Number	CKO-CS15-075033-4007		<p>"H" definition</p>
LED	CXM-11-AC30		
LES / LED Size	Φ 11.7 mm		
FWHM (D50)	83°		
Field Angle (D10)	114°		
H (distance)	3.65 mm		
Dimension	Φ =75 mm, Thickness= 33 mm		
Luminous Flux	1669 lm	Measured @ 15.5 W	
Material	PC / UL94V2		

cd/klm

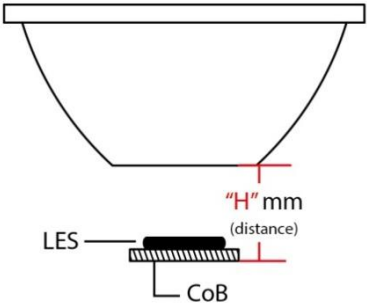


Illuminance At Distances

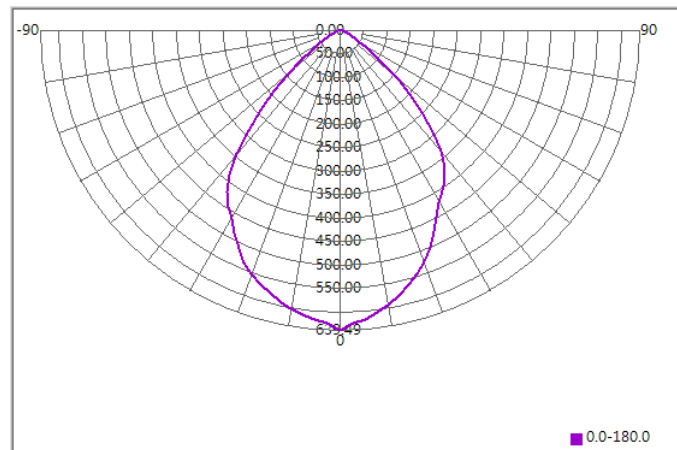




Optical Characteristics

Model Number	CKO-CS15-075033-4008		<p>"H" definition</p> 
LED	CLM-14-AC40		
LES / LED Size	Φ 14.5 mm		
FWHM (D50)	81°		
Field Angle (D10)	113°		
H (distance)	3.65 mm		
Dimension	Φ =75 mm, Thickness= 33 mm		
Luminous Flux	2558 lm	Measured @ 16.5 W	
Material	PC / UL94V2		

cd/klm



Illuminance At Distances

