

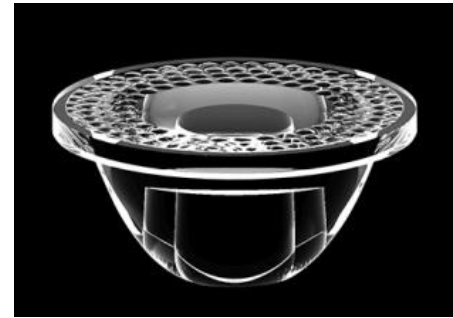


Product Model Number

CKO-CS17-045021-1307

✓ Model Number Definitions

CKO-XXXX-XXXXXX-XXXX

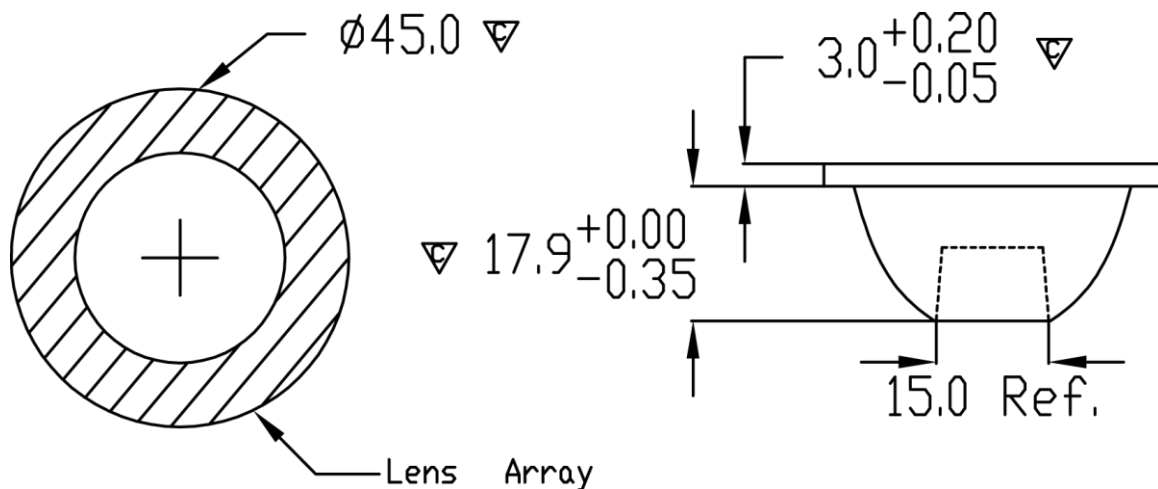


- A. Chun Kuang Optics Corp. Product
- B. Product Type: product abbreviation
Ex:
CH→CoB High Intensity
CC→CoB Compact
SA→Soft Shading for CoB LED - Asymmetry
HC→Holder for CoB LED

- C. Identity Code
- D. Lens / Fixture Size
Ex: 075026=Φ75mm / Thickness=26mm (round up)
- E. Serial Numbers

The lens datasheet is applicable for **Lumileds LED**, that manufactured by Chun Kuang Optics Corp.

✓ Dimensions (mm) : Φ45 x 20.9



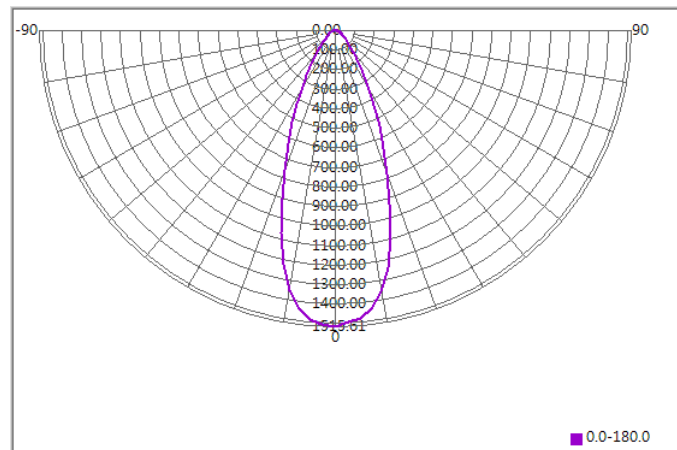
▽:Critical Dimension



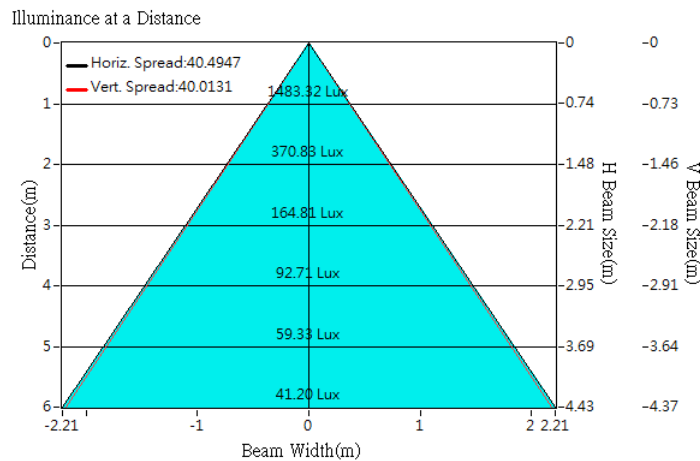
Optical Characteristics

Model Number	CKO-CS17-045021-1307		<p>"H" definition</p> <p>LES CoB</p>
LED	LUXEON 1202 HD		
LES / LED Size	Φ 6.5 mm		
FWHM (D50)	40°		
Field Angle (D10)	79°		
H (distance)	2.5mm		
Dimension	Φ =45 mm, Thickness=20.9 mm		
Luminous Flux	978 lm	Measured @ 10.8 W	
Material	PC / UL94V2		

cd/klm



Illuminance At Distances

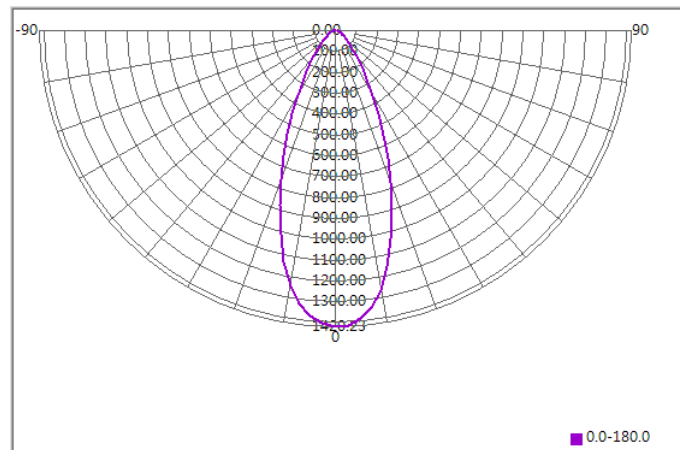




Optical Characteristics

Model Number	CKO-CS17-045021-1307		<p>"H" definition</p> <p>LES CoB</p>
LED	LUXEON 1203		
LES / LED Size	Φ 9 mm		
FWHM (D50)	43°		
Field Angle (D10)	83°		
H (distance)	2.5mm		
Dimension	Φ =45 mm, Thickness=20.9 mm		
Luminous Flux	726 lm	Measured @ 11.0 W	
Material	PC / UL94V2		

cd/klm



Illuminance At Distances

