

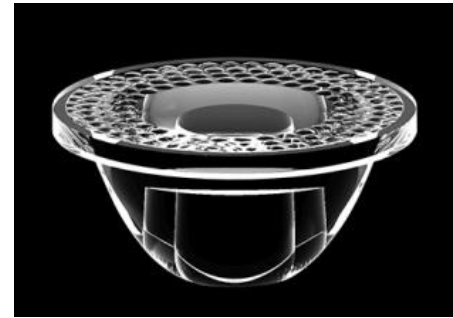


## Product Model Number

CKO-CS17-045021-1307

### ✓ Model Number Definitions

**CKO-XXXX-XXXXXX-XXXX**

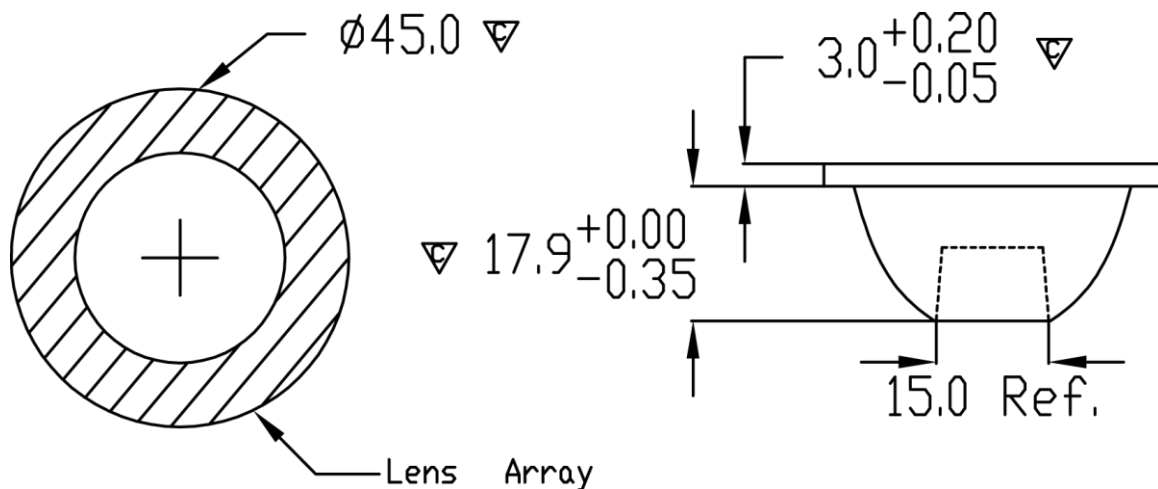


- A. Chun Kuang Optics Corp. Product
- B. Product Type: product abbreviation  
Ex:  
CH→CoB High Intensity  
CC→CoB Compact  
SA→Soft Shading for CoB LED - Asymmetry  
HC→Holder for CoB LED

- C. Identity Code
- D. Lens / Fixture Size  
Ex: 075026=Φ75mm / Thickness=26mm (round up)
- E. Serial Numbers

The lens datasheet is applicable for **Luminus LED**, that manufactured by Chun Kuang Optics Corp.

### ✓ Dimensions (mm) : Φ45 x 20.9



▽:Critical Dimension

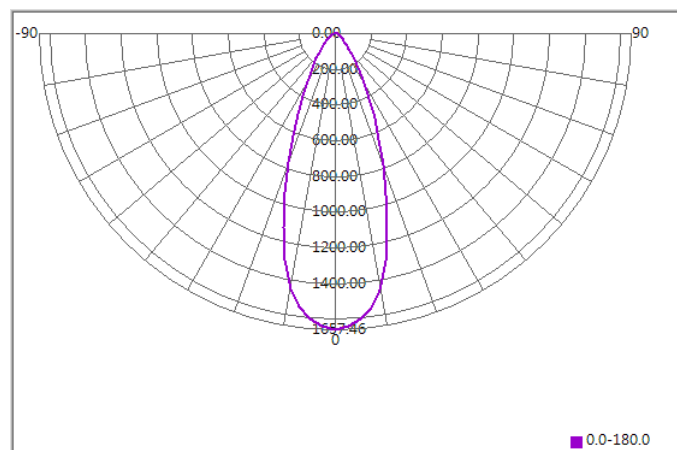




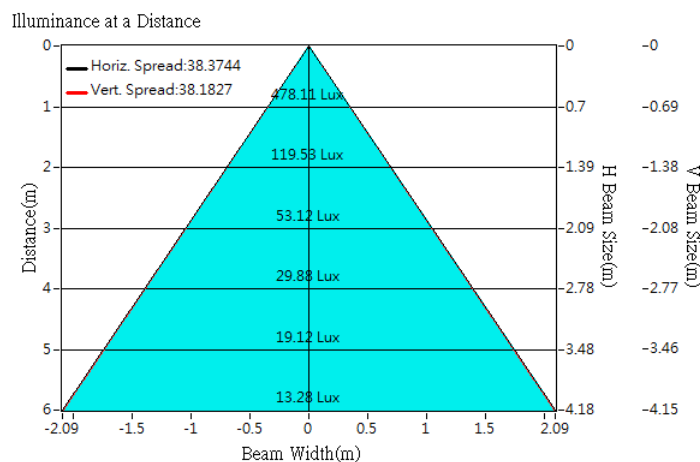
## Optical Characteristics

Model Number	CKO-CS17-045021-1307		<p>"H" definition</p> <p>LES CoB</p>
LED	<b>CXM-3-AC40</b>		
LES / LED Size	Φ 3.5 mm		
FWHM (D50)	38°		
Field Angle (D10)	76°		
H (distance)	2.5mm		
Dimension	Φ =45 mm, Thickness=20.9 mm		
Luminous Flux	288 lm	Measured @ 2.7 W	
Material	PC / UL94V2		

## cd/klm



## Illuminance At Distances

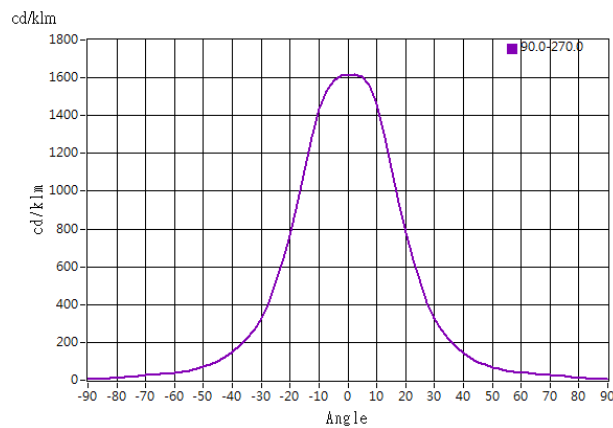




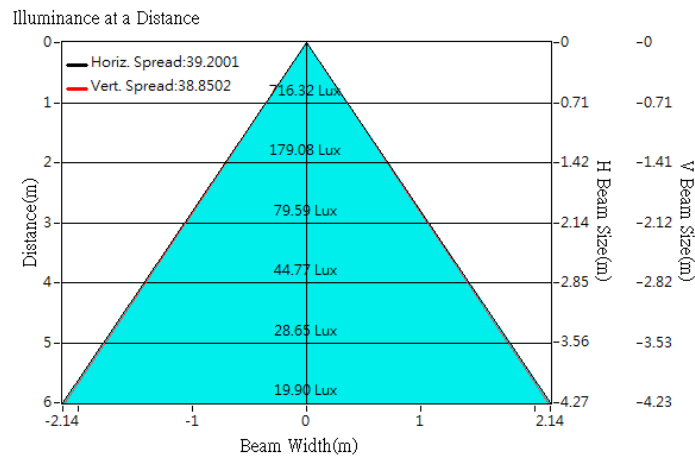
## Optical Characteristics

Model Number	CKO-CS17-045021-1307		<p>"H" definition</p>
LED	<b>CXM-4-AC40</b>		
LES / LED Size	Φ 4.5 mm		
FWHM (D50)	39°		
Field Angle (D10)	78°		
H (distance)	2.5mm		
Dimension	Φ =45 mm, Thickness=20.9 mm		
Luminous Flux	444 lm	Measured @ 4.0 W	
Material	PC / UL94V2		

## cd/klm



## Illuminance At Distances

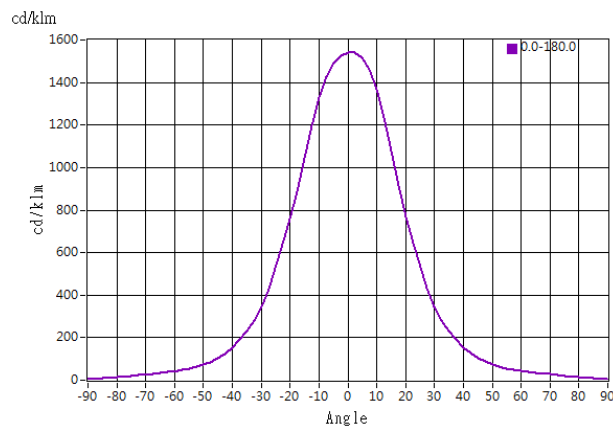




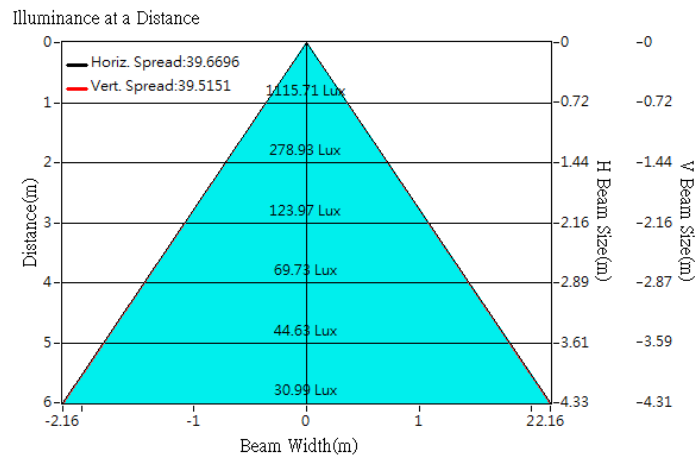
## Optical Characteristics

Model Number	CKO-CS17-045021-1307		<p>"H" definition</p>
LED	<b>CXM-6-AC40</b>		
LES / LED Size	Φ 6.3 mm		
FWHM (D50)	40°		
Field Angle (D10)	80°		
H (distance)	2.5mm		
Dimension	Φ =45 mm, Thickness=20.9 mm		
Luminous Flux	723 lm	Measured @ 5.5 W	
Material	PC / UL94V2		

## cd/klm



## Illuminance At Distances

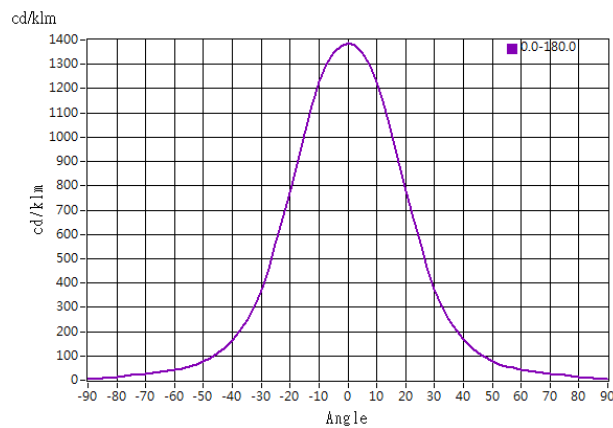




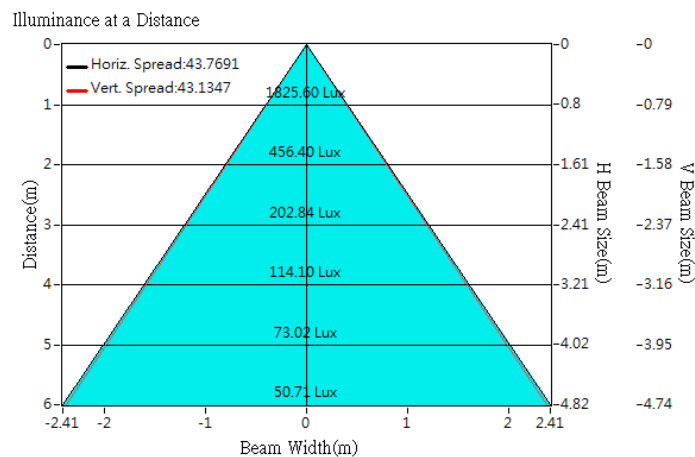
## Optical Characteristics

Model Number	CKO-CS17-045021-1307		<p>"H" definition</p>
LED	<b>CXM-9-AC30</b>		
LES / LED Size	Φ 9.6 mm		
FWHM (D50)	44°		
Field Angle (D10)	85°		
H (distance)	2.5mm		
Dimension	Φ =45 mm, Thickness=20.9 mm		
Luminous Flux	1318 lm	Measured @ 12.1 W	
Material	PC / UL94V2		

## cd/klm



## Illuminance At Distances

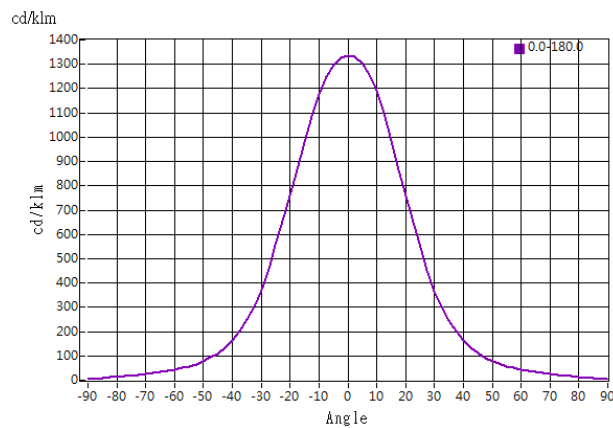




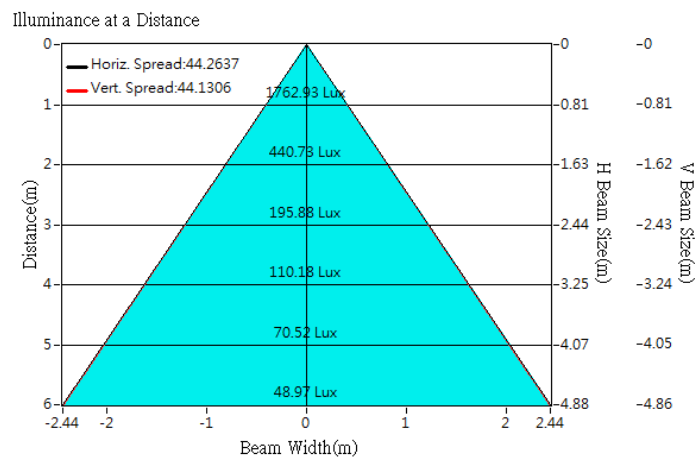
## Optical Characteristics

Model Number	CKO-CS17-045021-1307		<p>"H" definition</p>
LED	<b>CXM-9-AC40</b>		
LES / LED Size	Φ 9.8 mm		
FWHM (D50)	44°		
Field Angle (D10)	85°		
H (distance)	2.5mm		
Dimension	Φ =45 mm, Thickness=20.9 mm		
Luminous Flux	1319 lm	Measured @ 12.4 W	
Material	PC / UL94V2		

## cd/klm



## Illuminance At Distances

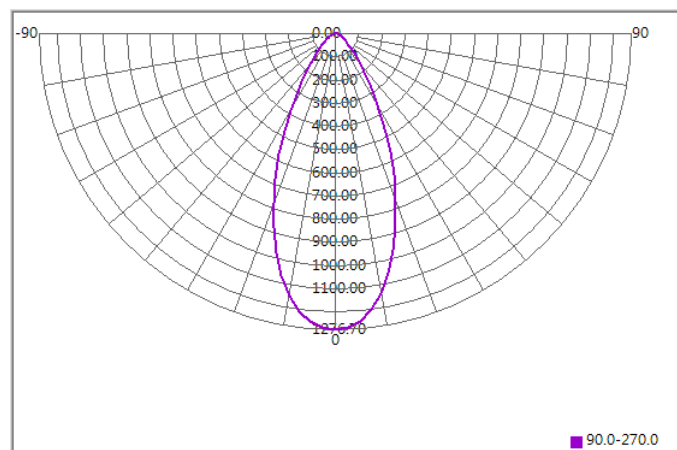




## Optical Characteristics

Model Number	CKO-CS17-045021-1307		<p>"H" definition</p>
LED	<b>CXM-11-AC30</b>		
LES / LED Size	Φ 11.7 mm		
FWHM (D50)	47°		
Field Angle (D10)	87°		
H (distance)	2.5mm		
Dimension	Φ =45 mm, Thickness=20.9 mm		
Luminous Flux	1555 lm	Measured @ 15.7 W	
Material	PC / UL94V2		

## cd/klm



## Illuminance At Distances

