



Product Model Number

CKO-CS18-025014-0903

✓ Model Number Definitions

CKO-XXXX-XXXXXX-XXXX

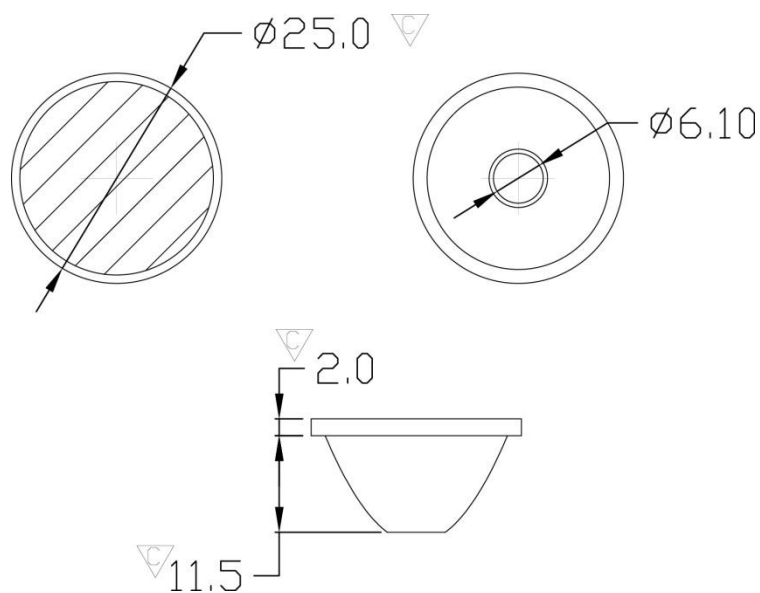


- A. Chun Kuang Optics Corp. Product
- B. Product Type: product abbreviation
Ex:
MX→Multi 33 in 1
SW→Single Wall Washer
CS→Soft Shading for CoB LED
HC→Holder for CoB LED

- C. Identity Code
- D. Lens / Fixture Size
Ex: 025014=Φ25mm / Thickness=13.5mm (round up)
- E. Serial Numbers

The lens datasheet is applicable for **Citizen LED**, that manufactured by Chun Kuang Optics Corp.

✓ Dimensions (mm) : Φ25x13.5



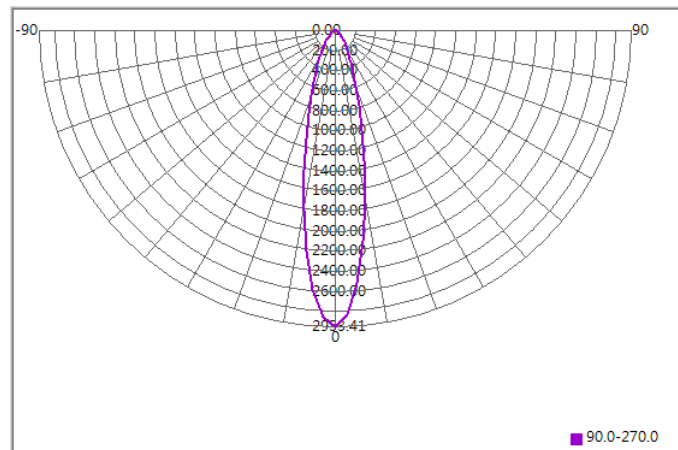
▽:Critical Dimension



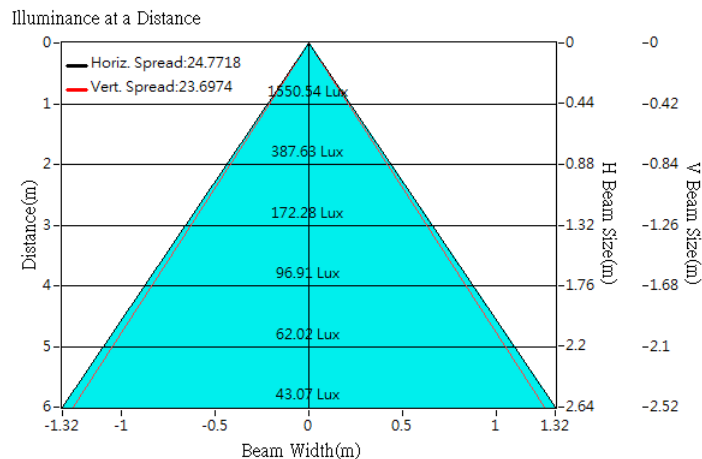
Optical Characteristics

Model Number	CKO-CS18-025014-0903		<p>"H" definition</p>
LED	CLU 7A2		
LES / LED Size	Φ 4.2 mm		
FWHM (D50)	25°		
Field Angle (D10)	58°		
H (distance)	2mm		
Dimension	Φ =25 mm, Thickness=13.5 mm		
Luminous Flux	525 lm	Measured @ 6.7 W	
Material	PC / UL94V2		

cd/klm



Illuminance At Distances

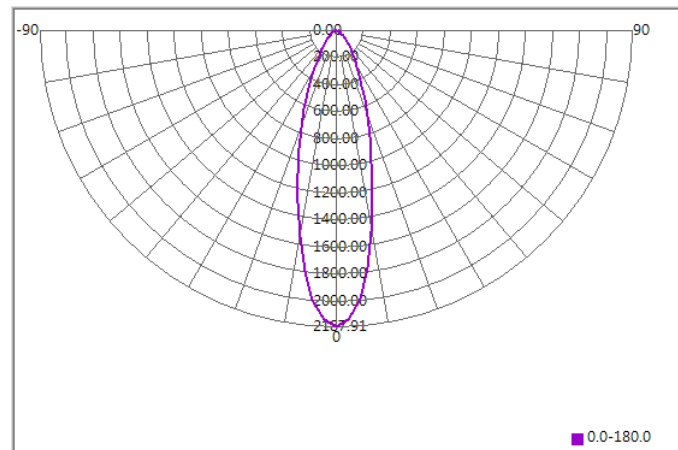




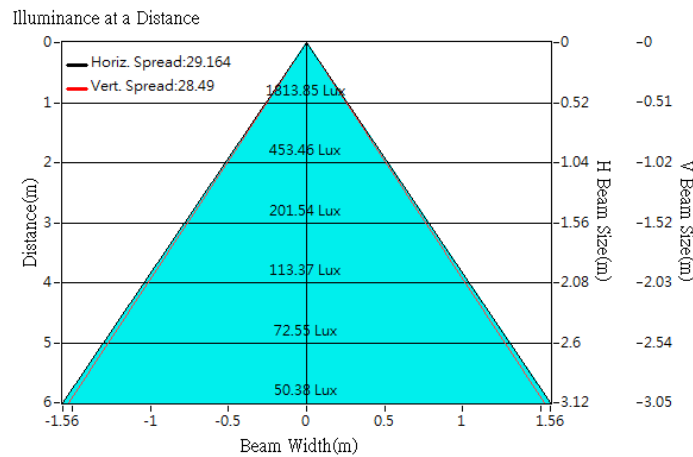
Optical Characteristics

Model Number	CKO-CS18-025014-0903		<p>"H" definition</p>
LED	CLU 700		
LES / LED Size	Φ 6 mm		
FWHM (D50)	29°		
Field Angle (D10)	69°		
H (distance)	2mm		
Dimension	Φ =25 mm, Thickness=13.5 mm		
Luminous Flux	829 lm	Measured @ 8.0 W	
Material	PC / UL94V2		

cd/klm



Illuminance At Distances

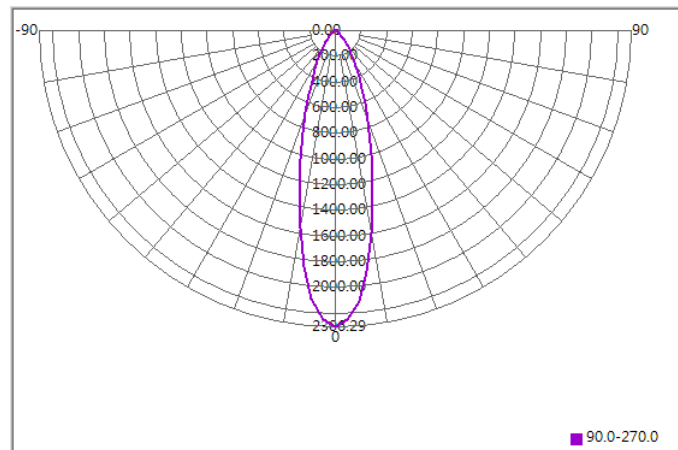




Optical Characteristics

Model Number	CKO-CS18-025014-0903		<p>"H" definition</p>
LED	CLU 701		
LES / LED Size	Φ 6 mm		
FWHM (D50)	28°		
Field Angle (D10)	68°		
H (distance)	2mm		
Dimension	Φ =25 mm, Thickness=13.5 mm		
Luminous Flux	984 lm	Measured @ 10.8 W	
Material	PC / UL94V2		

cd/klm



Illuminance At Distances

