



Product Model Number

CKO-CS18-025014-0905

✓ Model Number Definitions

CKO-XXXX-XXXXXX-XXXX

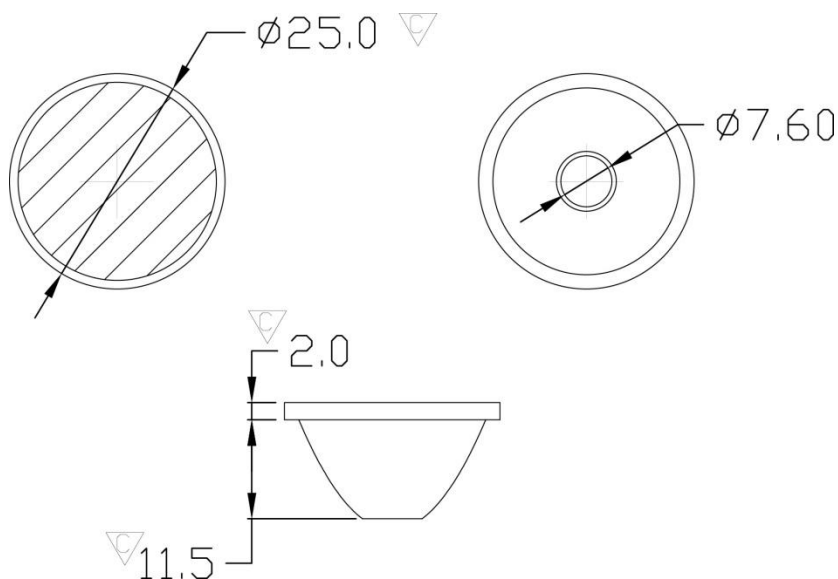


- A. Chun Kuang Optics Corp. Product
- B. Product Type: product abbreviation
Ex:
MX→Multi 33 in 1
SW→Single Wall Washer
CS→Soft Shading for CoB LED
HC→Holder for CoB LED

- C. Identity Code
- D. Lens / Fixture Size
Ex: 025014=Φ25mm / Thickness=13.5mm (round up)
- C. Serial Numbers

The lens datasheet is applicable for **Luminus LED**, that manufactured by Chun Kuang Optics Corp.

✓ Dimensions (mm) : Φ25x13.5



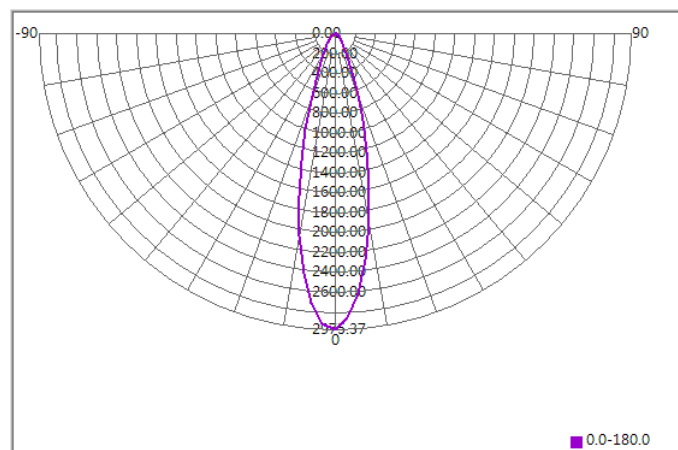
▽:Critical Dimension



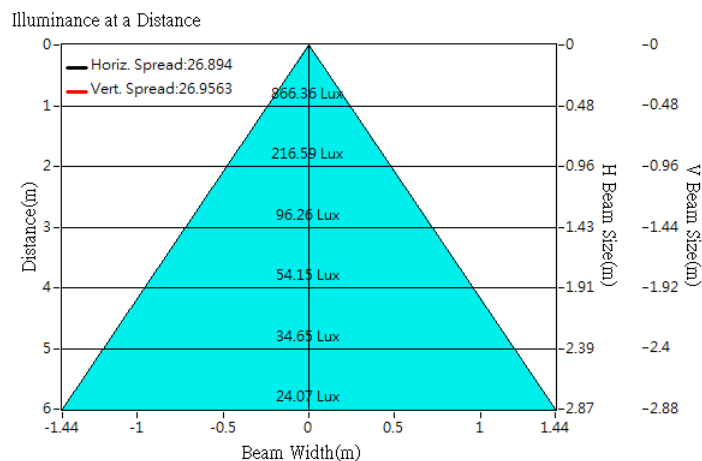
Optical Characteristics

Model Number	CKO-CS18-025014-0905		<p>"H" definition</p>
LED	CXM-3-AC40		
LES / LED Size	Φ 3.5 mm		
FWHM (D50)	27°		
Field Angle (D10)	53°		
H (distance)	2mm		
Dimension	Φ =25 mm, Thickness=13.5 mm		
Luminous Flux	291 lm	Measured @ 2.7 W	
Material	PC / UL94V2		

cd/klm



Illuminance At Distances

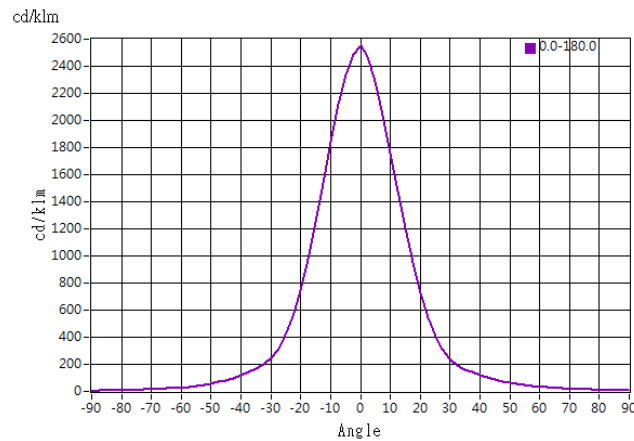




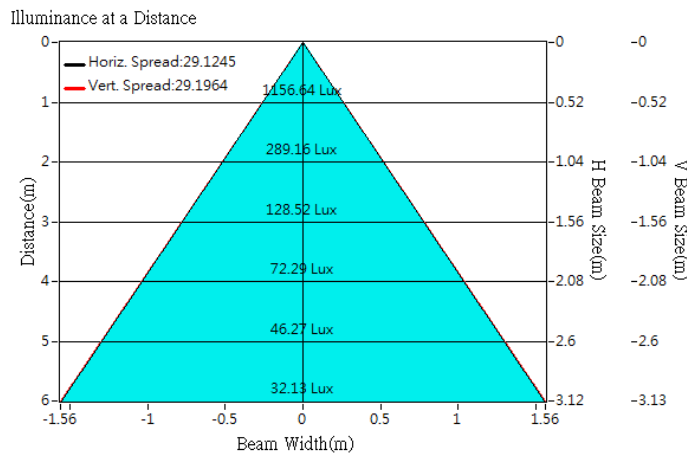
Optical Characteristics

Model Number	CKO-CS18-025014-0905		<p>"H" definition</p>
LED	CXM-4-AC40		
LES / LED Size	Φ 4.5 mm		
FWHM (D50)	29°		
Field Angle (D10)	59°		
H (distance)	2mm		
Dimension	Φ =25 mm, Thickness=13.5 mm		
Luminous Flux	453 lm	Measured @ 4.0 W	
Material	PC / UL94V2		

cd/klm



Illuminance At Distances

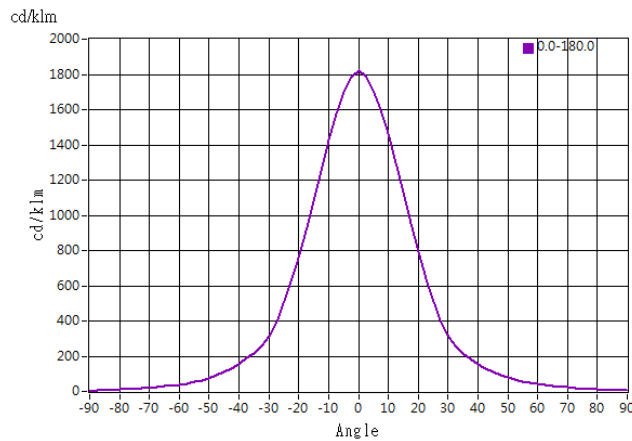




Optical Characteristics

Model Number	CKO-CS18-025014-0905		<p>"H" definition</p>
LED	CXM-6-AC40		
LES / LED Size	Φ 6.3 mm		
FWHM (D50)	36°		
Field Angle (D10)	76°		
H (distance)	2mm		
Dimension	Φ =25 mm, Thickness=13.5 mm		
Luminous Flux	672 lm	Measured @ 5.1 W	
Material	PC / UL94V2		

cd/klm



Illuminance At Distances

