



## Product Model Number

CKO-CS18-035018-1305

### ✓ Model Number Definitions

**CKO-XXXX-XXXXXX-XXXX**

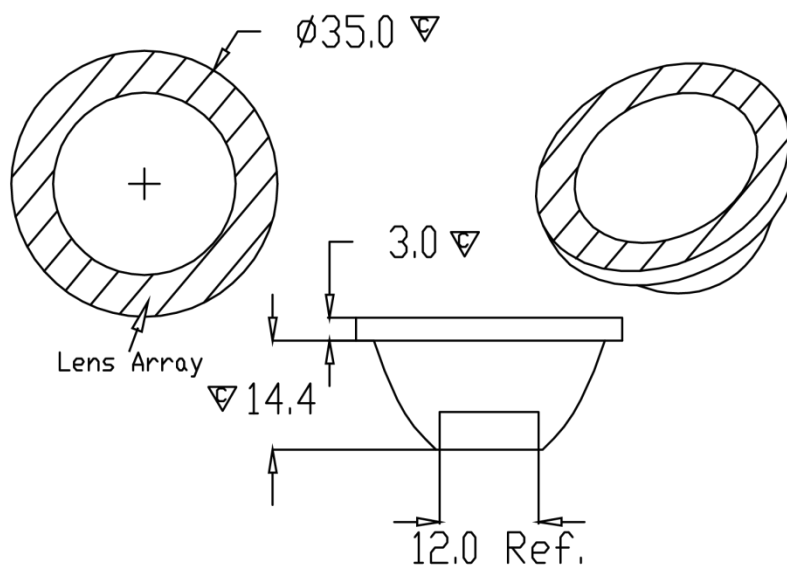


- A. Chun Kuang Optics Corp. Product
- B. Product Type: product abbreviation  
Ex:  
CH→CoB High Intensity  
CC→CoB Compact  
CS→Soft Shading for CoB LED  
HC→Holder for CoB LED

- C. Identity Code
- D. Lens / Fixture Size  
Ex: 075026=Φ75mm / Thickness=26mm (round up)
- E. Serial Numbers

The lens datasheet is applicable for **Cree LED**, that manufactured by Chun Kuang Optics Corp.

### ✓ Dimensions (mm) : Φ35 x 17.4

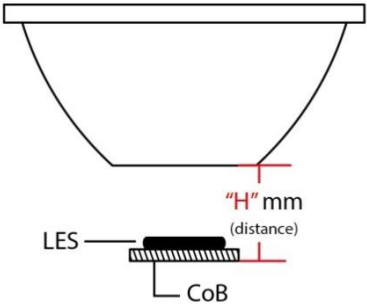


▽:Critical Dimension

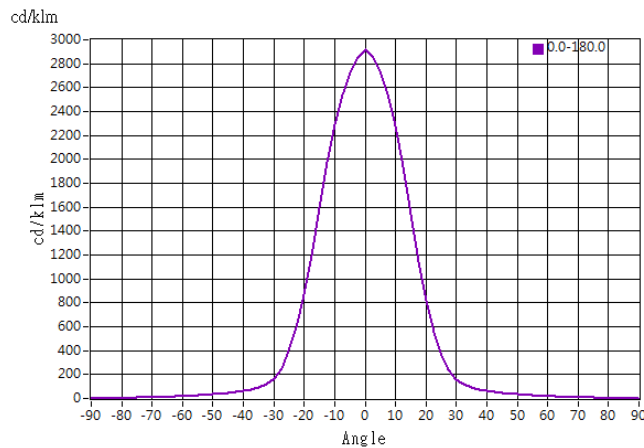




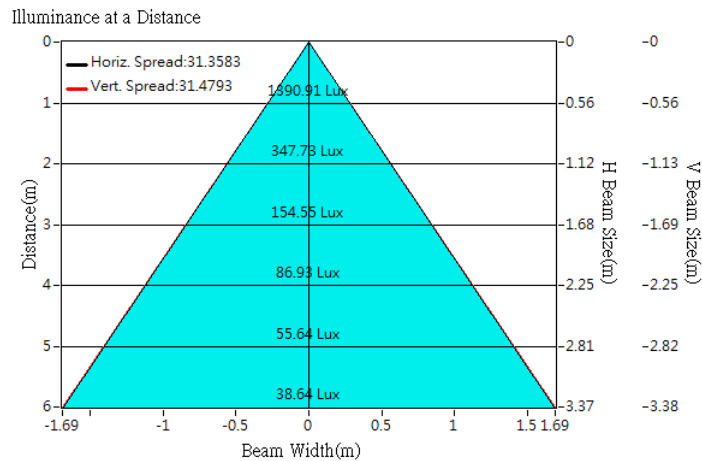
## Optical Characteristics

Model Number	CKO-CS18-035018-1305		<p>"H" definition</p> 
LED	<b>CMA1303</b>		
LES / LED Size	Φ 4.5 mm		
FWHM (D50)	31°		
Field Angle (D10)	52°		
H (distance)	2.5 mm		
Dimension	Φ =35 mm, Thickness= 17.4 mm		
Luminous Flux	476 lm	Measured @ 3.5 W	
Material	PC / UL94V2		

## cd/klm



## Illuminance At Distances

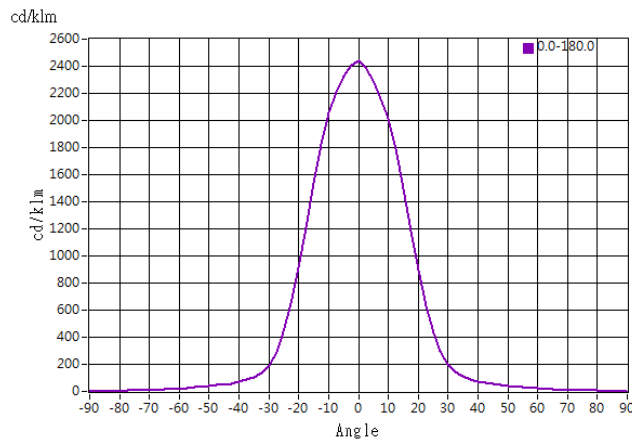




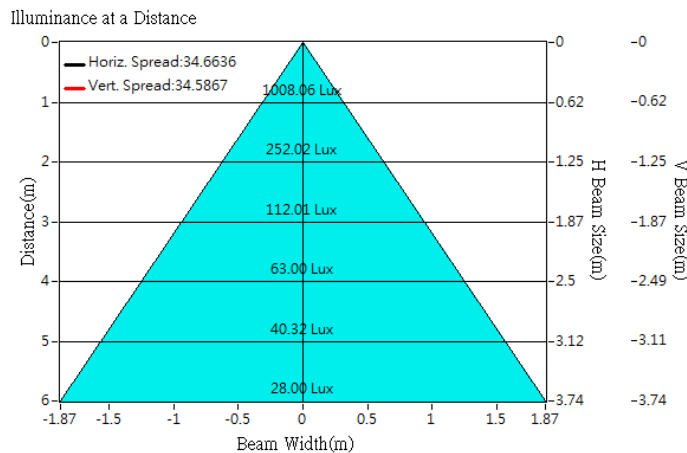
## Optical Characteristics

Model Number	CKO-CS18-035018-1305		<p>"H" definition</p>
LED	<b>CXA1304</b>		
LES / LED Size	Φ 6 mm		
FWHM (D50)	35°		
Field Angle (D10)	58°		
H (distance)	2.5 mm		
Dimension	Φ =35 mm, Thickness= 17.4 mm		
Luminous Flux	413 lm	Measured @ 3.7 W	
Material	PC / UL94V2		

## cd/klm



## Illuminance At Distances

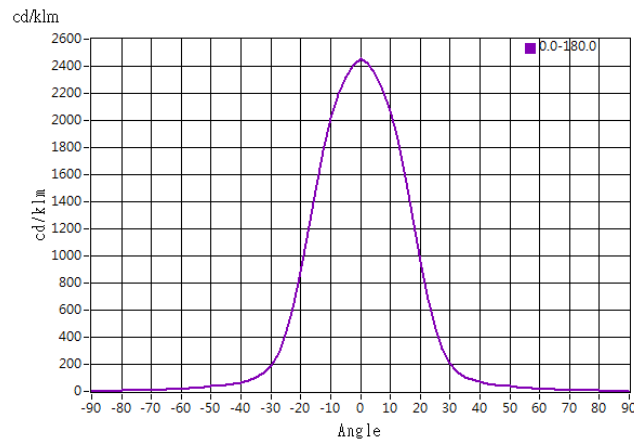




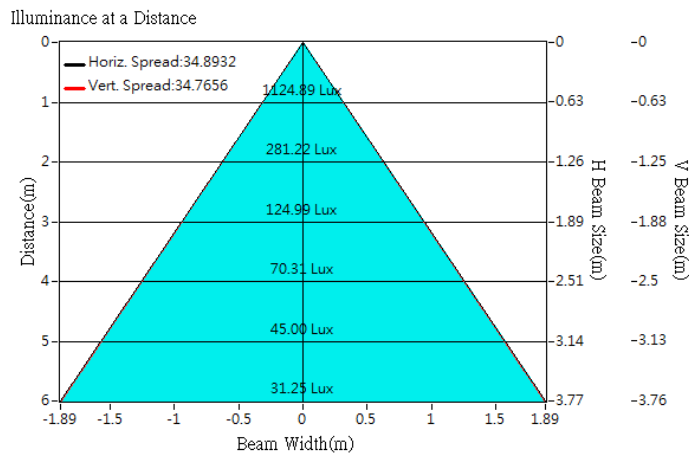
## Optical Characteristics

Model Number	CKO-CS18-035018-1305		<p>"H" definition</p>
LED	<b>CXB1304</b>		
LES / LED Size	Φ 6 mm		
FWHM (D50)	35°		
Field Angle (D10)	58°		
H (distance)	2.5 mm		
Dimension	Φ =35 mm, Thickness= 17.4 mm		
Luminous Flux	458 lm	Measured @ 3.5 W	
Material	PC / UL94V2		

## cd/klm



## Illuminance At Distances

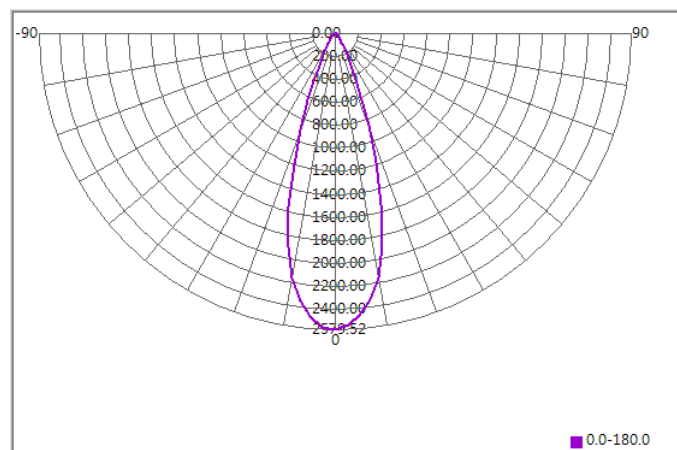




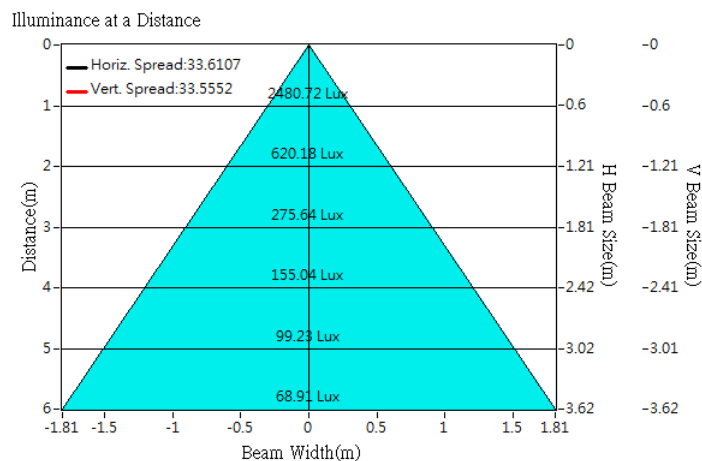
## Optical Characteristics

Model Number	CKO-CS18-035018-1305		<p>"H" definition</p> <p>LES CoB</p>
LED	<b>CMA1306</b>		
LES / LED Size	Φ 6 mm		
FWHM (D50)	34°		
Field Angle (D10)	56°		
H (distance)	2.5 mm		
Dimension	Φ =35 mm, Thickness= 17.4 mm		
Luminous Flux	961 lm	Measured @ 7.3 W	
Material	PC / UL94V2		

## cd/klm



## Illuminance At Distances

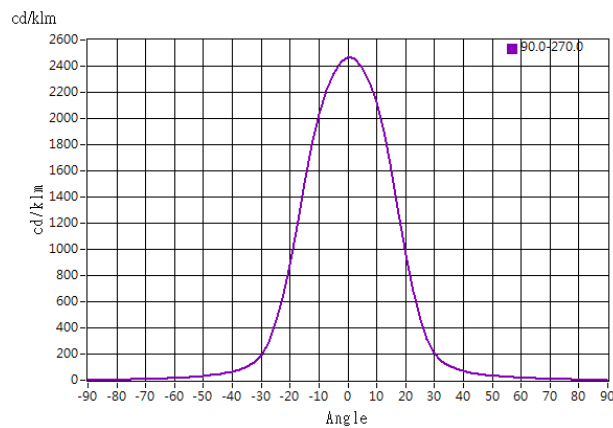




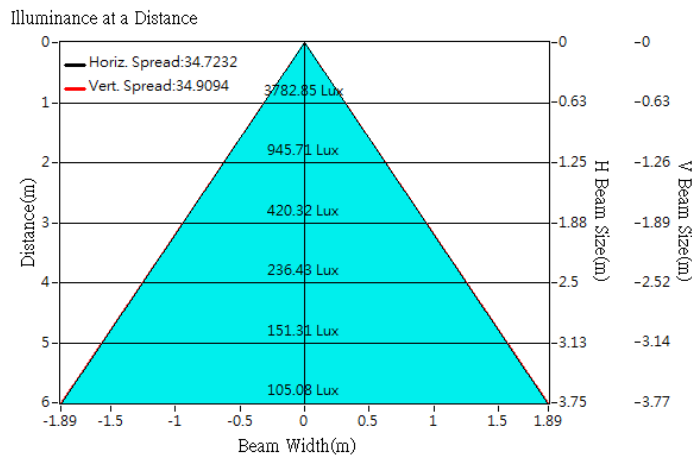
## Optical Characteristics

Model Number	CKO-CS18-035018-1305		<p>"H" definition</p>
LED	<b>CXB1310</b>		
LES / LED Size	Φ 6 mm		
FWHM (D50)	35°		
Field Angle (D10)	58°		
H (distance)	2.5 mm		
Dimension	Φ =35 mm, Thickness= 17.4 mm		
Luminous Flux	1533 lm	Measured @ 12 W	
Material	PC / UL94V2		

## cd/klm

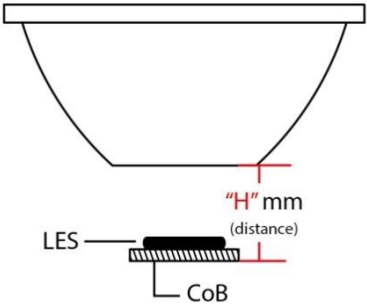


## Illuminance At Distances

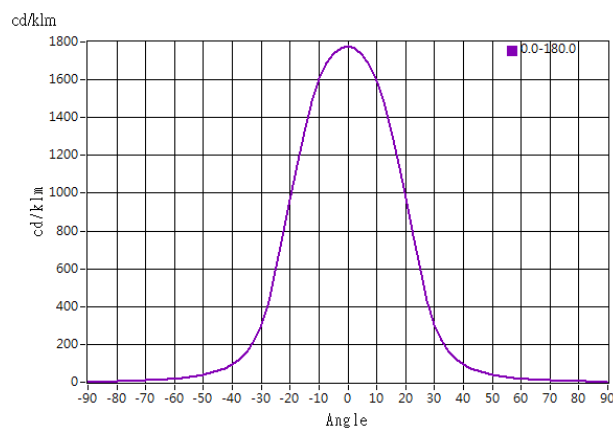




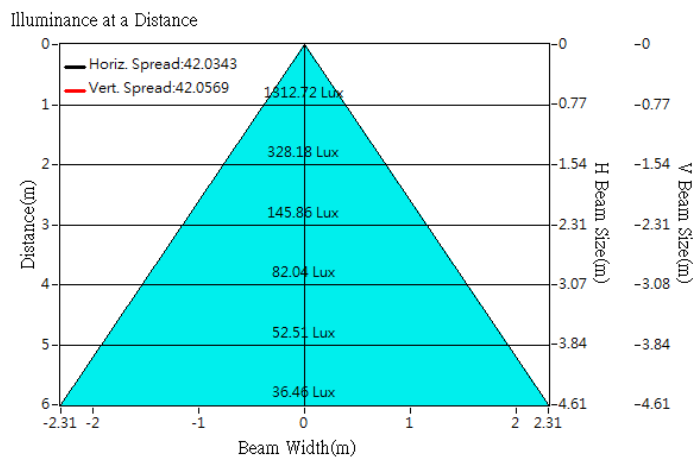
## Optical Characteristics

Model Number	CKO-CS18-035018-1305		<p>"H" definition</p> 
LED	<b>CXA1507</b>		
LES / LED Size	Φ 9 mm		
FWHM (D50)	42°		
Field Angle (D10)	69°		
H (distance)	2.5 mm		
Dimension	Φ =35 mm, Thickness= 17.4 mm		
Luminous Flux	739 lm	Measured @ 7.6 W	
Material	PC / UL94V2		

## cd/klm

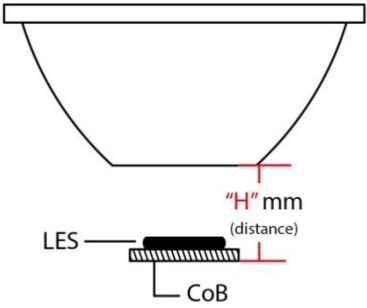


## Illuminance At Distances

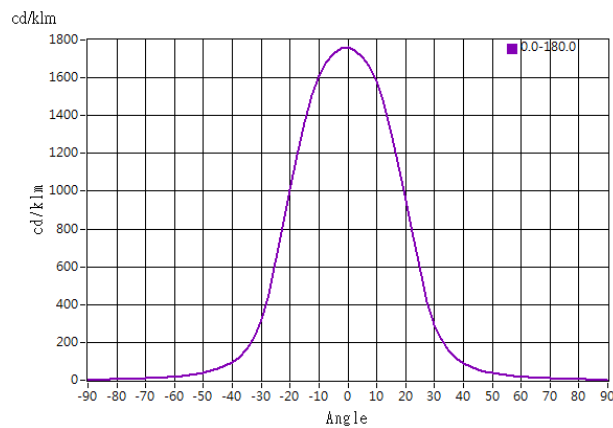




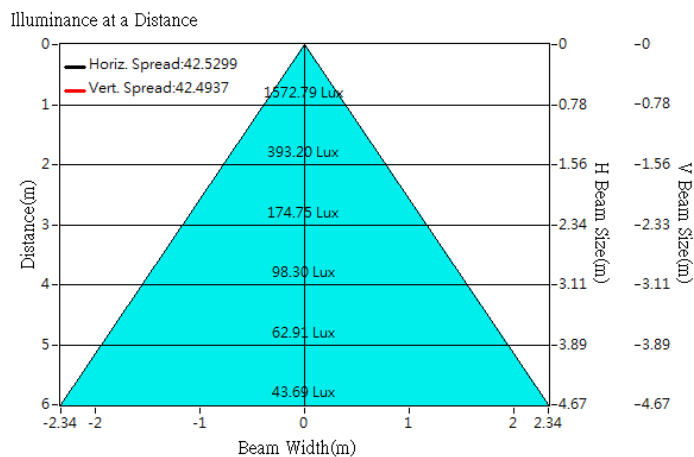
## Optical Characteristics

Model Number	CKO-CS18-035018-1305		<p>"H" definition</p> 
LED	<b>CXB1507</b>		
LES / LED Size	Φ 9 mm		
FWHM (D50)	43°		
Field Angle (D10)	69°		
H (distance)	2.5 mm		
Dimension	Φ =35 mm, Thickness= 17.4 mm		
Luminous Flux	893 lm	Measured @ 7.2 W	
Material	PC / UL94V2		

## cd/klm



## Illuminance At Distances

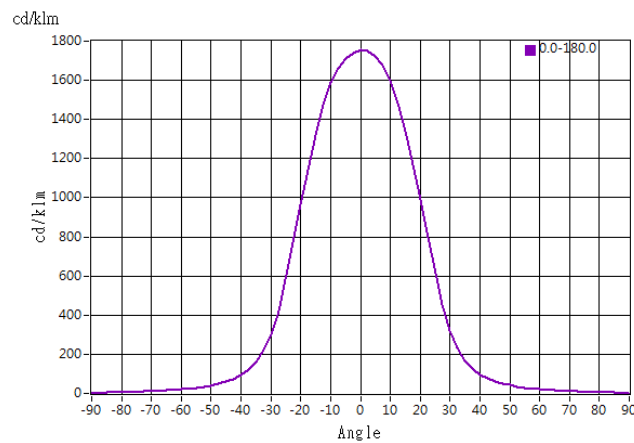




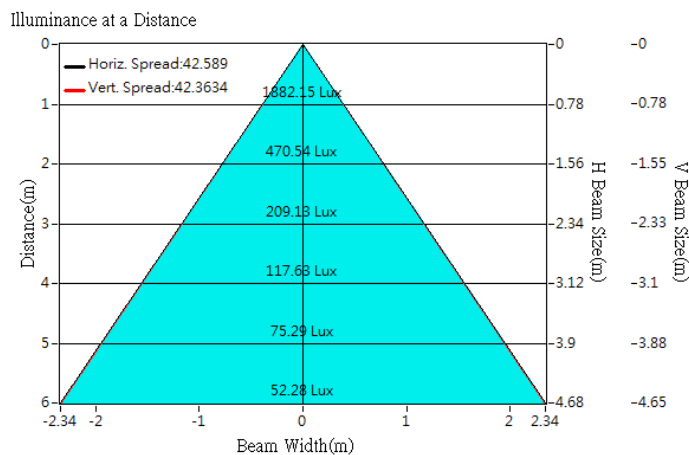
## Optical Characteristics

Model Number	CKO-CS18-035018-1305		<p>"H" definition</p>
LED	<b>CXA 1510</b>		
LES / LED Size	Φ 9 mm		
FWHM (D50)	43°		
Field Angle (D10)	69°		
H (distance)	2.5 mm		
Dimension	Φ =35 mm, Thickness= 17.4 mm		
Luminous Flux	1073 lm	Measured @ 9.0 W	
Material	PC / UL94V2		

## cd/klm

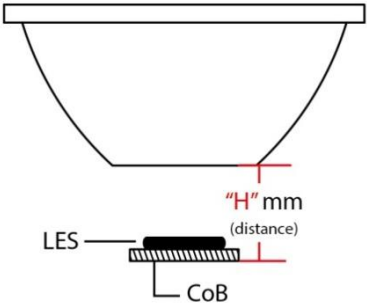


## Illuminance At Distances

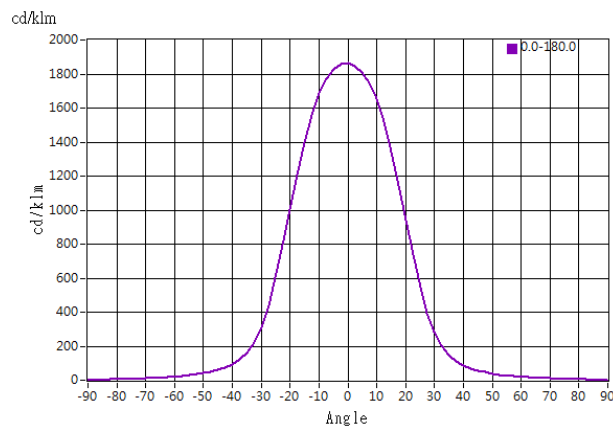




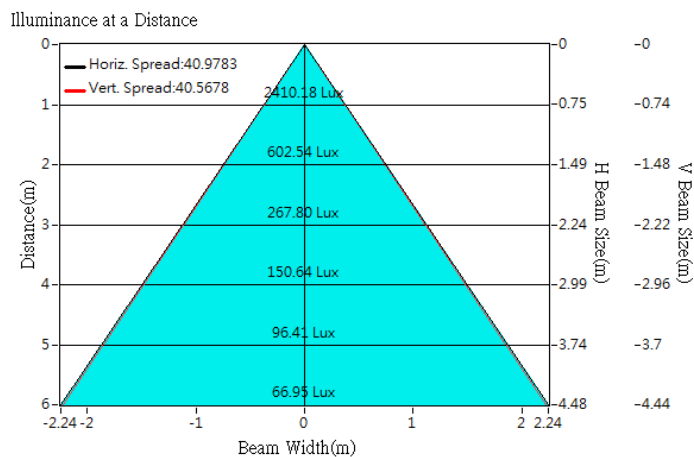
## Optical Characteristics

Model Number	CKO-CS18-035018-1305		<p>"H" definition</p> 
LED	<b>CXA1512</b>		
LES / LED Size	Φ 9 mm		
FWHM (D50)	41°		
Field Angle (D10)	67°		
H (distance)	2.5 mm		
Dimension	Φ =35 mm, Thickness= 17.4 mm		
Luminous Flux	1292 lm	Measured @ 13.5 W	
Material	PC / UL94V2		

## cd/klm



## Illuminance At Distances

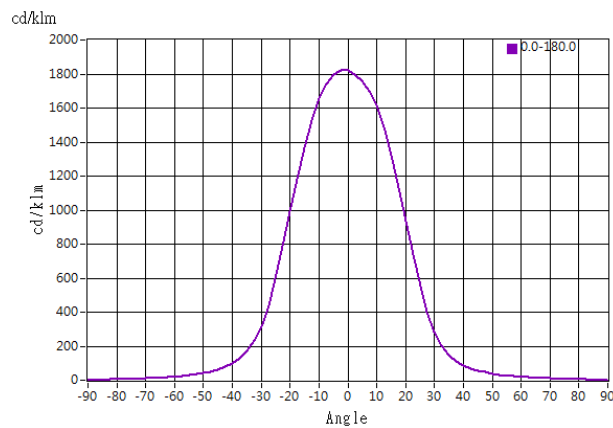




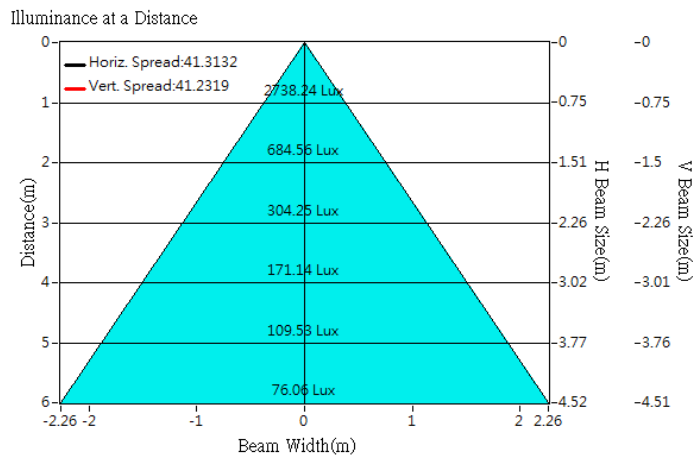
## Optical Characteristics

Model Number	CKO-CS18-035018-1305		<p>"H" definition</p>
LED	<b>CXB1512</b>		
LES / LED Size	Φ 9 mm		
FWHM (D50)	41°		
Field Angle (D10)	68°		
H (distance)	2.5 mm		
Dimension	Φ =35 mm, Thickness= 17.4 mm		
Luminous Flux	1501 lm	Measured @ 12.1 W	
Material	PC / UL94V2		

## cd/klm



## Illuminance At Distances

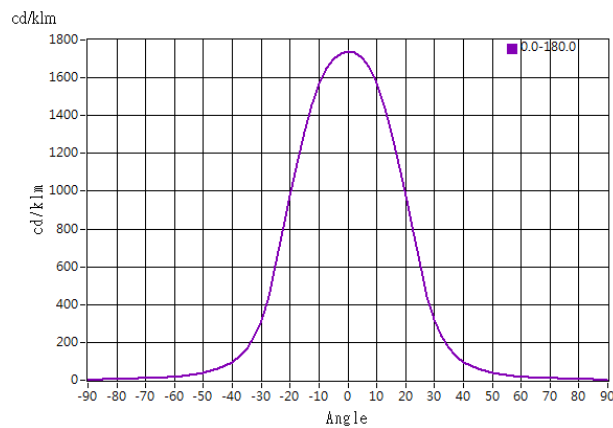




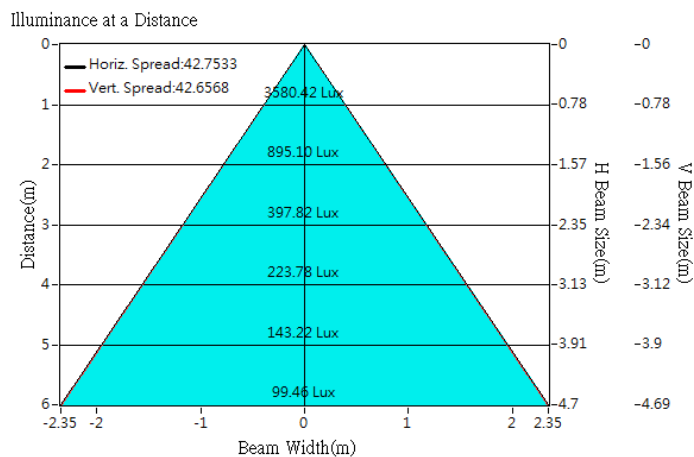
## Optical Characteristics

Model Number	CKO-CS18-035018-1305		<p>"H" definition</p>
LED	<b>CMA1516</b>		
LES / LED Size	Φ 9 mm		
FWHM (D50)	43°		
Field Angle (D10)	70°		
H (distance)	2.5 mm		
Dimension	Φ =35 mm, Thickness= 17.4 mm		
Luminous Flux	2059 lm	Measured @ 15.5 W	
Material	PC / UL94V2		

## cd/klm

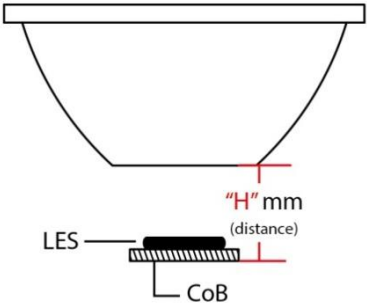


## Illuminance At Distances

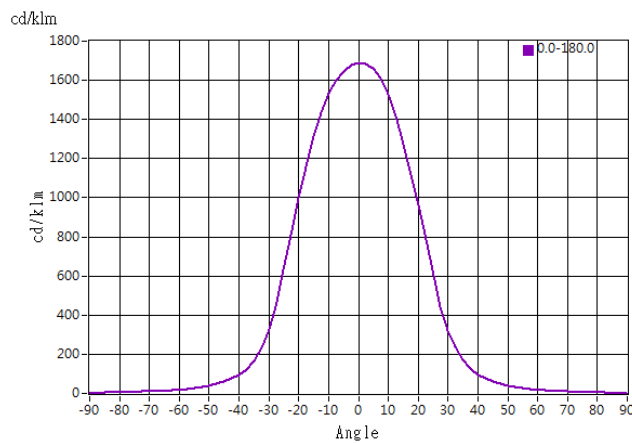




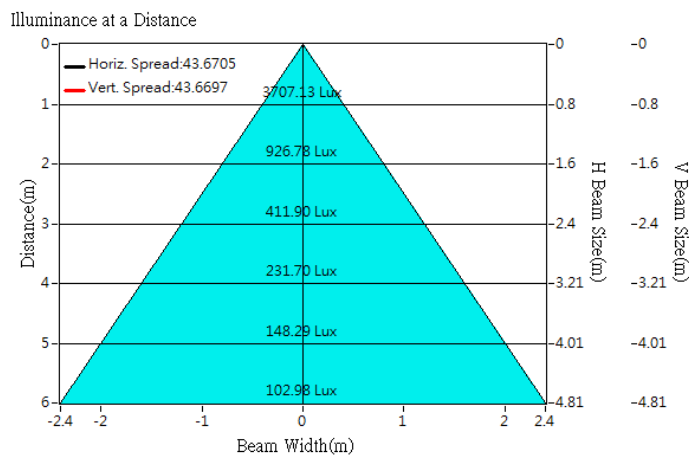
## Optical Characteristics

Model Number	CKO-CS18-035018-1305		<p>"H" definition</p> 
LED	<b>CXB1520</b>		
LES / LED Size	Φ 9 mm		
FWHM (D50)	44°		
Field Angle (D10)	70°		
H (distance)	2.5 mm		
Dimension	Φ =35 mm, Thickness= 17.4 mm		
Luminous Flux	2192 lm	Measured @ 16.6 W	
Material	PC / UL94V2		

## cd/klm



## Illuminance At Distances

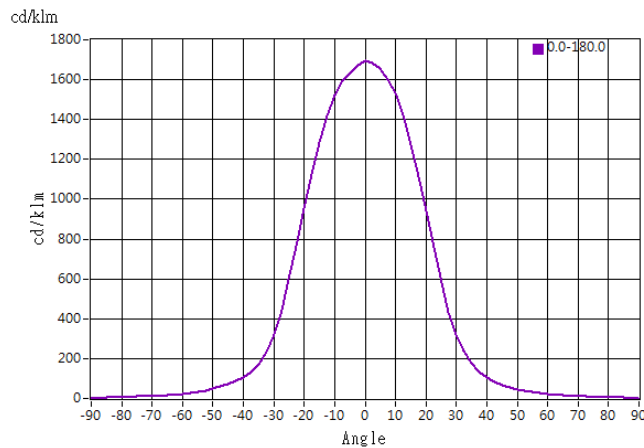




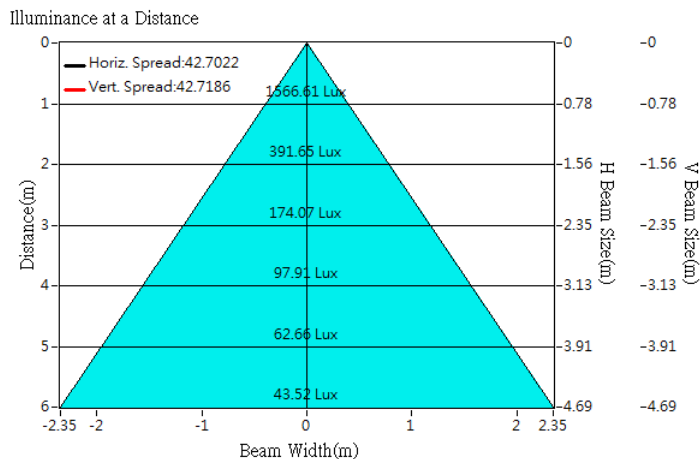
## Optical Characteristics

Model Number	CKO-CS18-035018-1305	<p>"H" definition</p>
LED	<b>CMT1407</b>	
LES / LED Size	Φ 9.8 mm	
FWHM (D50)	43°	
Field Angle (D10)	71°	
H (distance)	2.5 mm	
Dimension	Φ =35 mm, Thickness= 17.4 mm	
Luminous Flux	925 lm	
Material	PC / UL94V2	

## cd/klm



## Illuminance At Distances

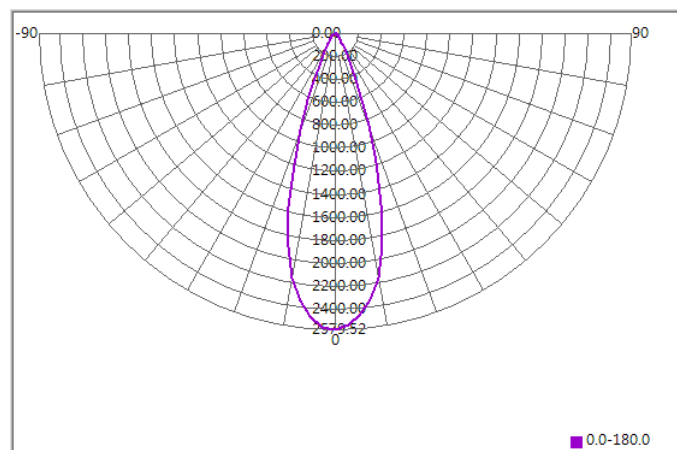




## Optical Characteristics

Model Number	CKO-CS18-035018-1305		<p>"H" definition</p>
LED	<b>CMT1412</b>		
LES / LED Size	Φ 9.8 mm		
FWHM (D50)	43°		
Field Angle (D10)	71°		
H (distance)	2.5 mm		
Dimension	Φ =35 mm, Thickness= 17.4 mm		
Luminous Flux	1565 lm	Measured @ 12.2 W	
Material	PC / UL94V2		

## cd/klm



## Illuminance At Distances

