

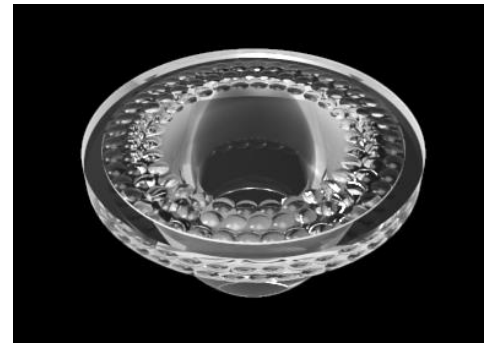


Product Model Number

CKO-CS18-035018-1360

✓ Model Number Definitions

CKO-XXXX-XXXXXX-XXXX

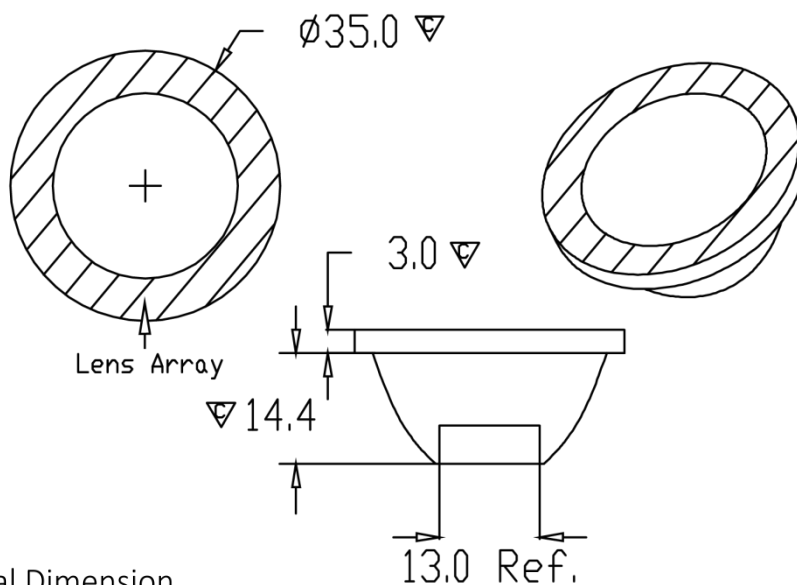


- A. Chun Kuang Optics Corp. Product
- B. Product Type: product abbreviation
Ex:
CH→CoB High Intensity
CC→CoB Compact
CS→Soft Shading for CoB LED
HC→Holder for CoB LED

- C. Identity Code
- D. Lens / Fixture Size
Ex: 075026=Φ75mm / Thickness=26mm (round up)
- E. Serial Numbers

The lens datasheet is applicable for **TRIDONIC LED**, that manufactured by Chun Kuang Optics Corp.

✓ Dimensions (mm) : Φ35 x 17.4



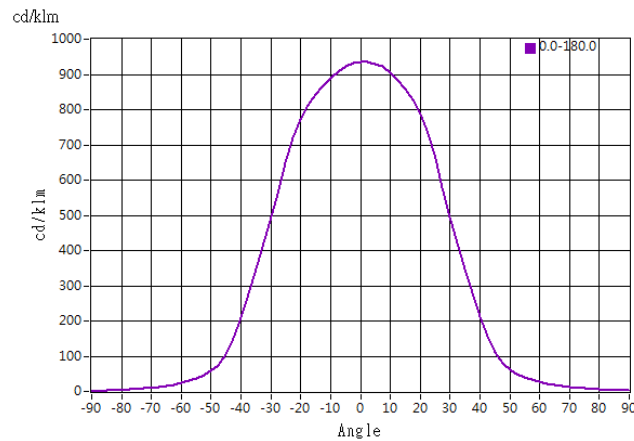
▽:Critical Dimension



Optical Characteristics

| | | | |
|-------------------|------------------------------|-------------------|--|
| Model Number | CKO-CS18-035018-1360 | | |
| LED | SLE G7 09mm 1200lm 940 R ADV | | |
| LES / LED Size | Φ 9 mm | | |
| FWHM (D50) | 62° | | |
| Field Angle (D10) | 92° | | |
| H (distance) | 2.5 mm | | |
| Dimension | Φ =35 mm, Thickness= 17.4 mm | | |
| Luminous Flux | 1532 lm | Measured @ 12.3 W | |
| Material | PC / UL94V2 | | |

cd/klm



Illuminance At Distances

