



## Product Model Number

CKO-CU15-034009-9900

### ✓ Model Number Definitions

**CKO-XXXX-XXXXXX-XXXX**

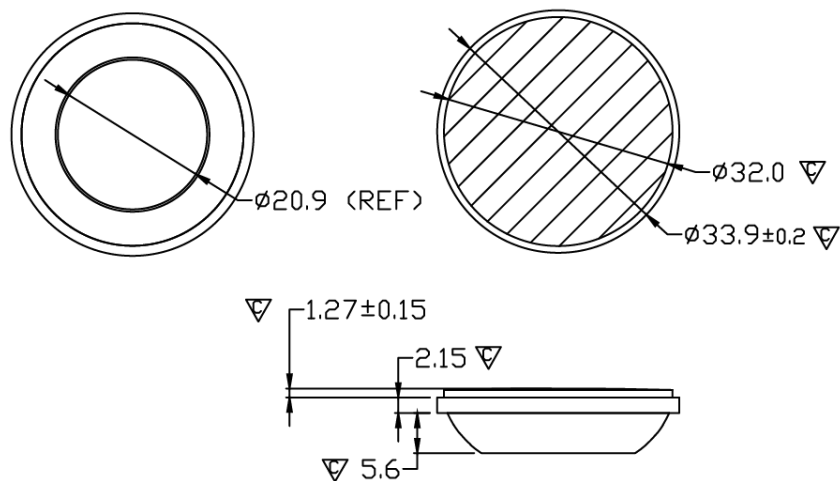


- A. Chun Kuang Optics Corp. Product
- B. Product Type: product abbreviation  
Ex:  
CH→CoB High Intensity  
CC→CoB Compact  
CS→Soft Shading for CoB LED  
HC→Holder for CoB LED

- C. Identity Code
- D. Lens / Fixture Size  
Ex: 075026=Φ75mm / Thickness=26mm (round up)
- C. Serial Numbers

The lens datasheet is applicable for **Ciziten LED**, that manufactured by Chun Kuang Optics Corp.

### ✓ Dimensions (mm) : Φ33.9 x 8.2



▽:Critical Dimension

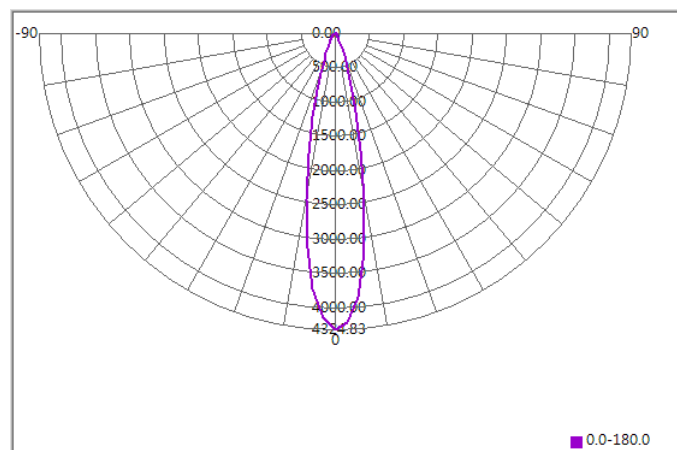




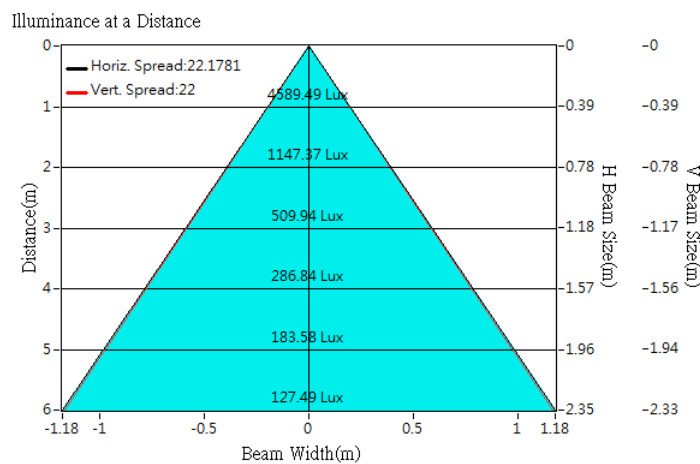
## Optical Characteristics

Model Number	CKO-CU15-034009-9900		<p>"H" definition</p>
LED	<b>CLU 701</b>		
LES / LED Size	Φ 6 mm		
FWHM (D50)	22°		
Field Angle (D10)	44°		
H (distance)	2.4 mm		
Dimension	Φ =33.9 mm, Thickness= 8.2 mm		
Luminous Flux	1061 lm	Measured @ 10.9 W	
Material	PC / UL94V2		

## cd/klm



## Illuminance At Distances

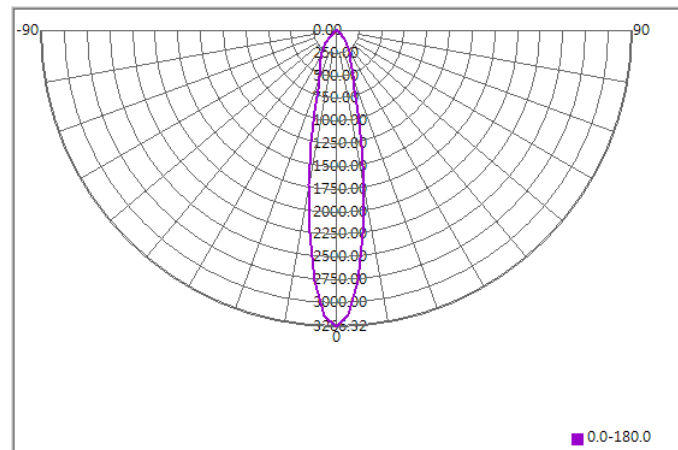




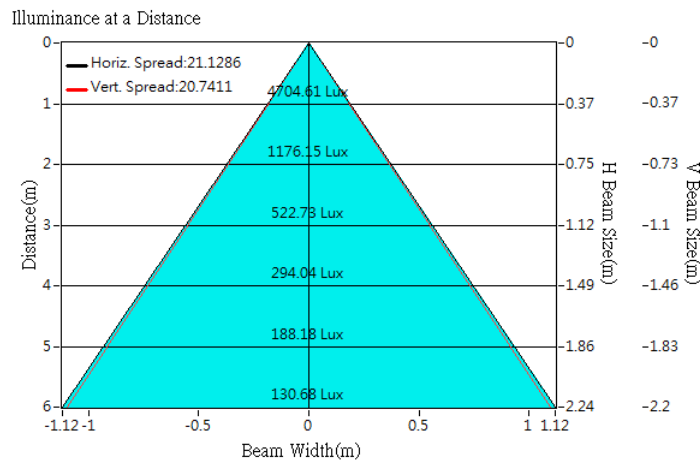
## Optical Characteristics

Model Number	CKO-CU15-034009-9900		<p>"H" definition</p>
LED	<b>CLU 700</b>		
LES / LED Size	Φ 6 mm		
FWHM (D50)	21°		
Field Angle (D10)	59°		
H (distance)	2.4 mm		
Dimension	Φ =33.9 mm, Thickness= 8.2 mm		
Luminous Flux	1440 lm	Measured @ 14.5 W	
Material	PC / UL94V2		

## cd/klm



## Illuminance At Distances

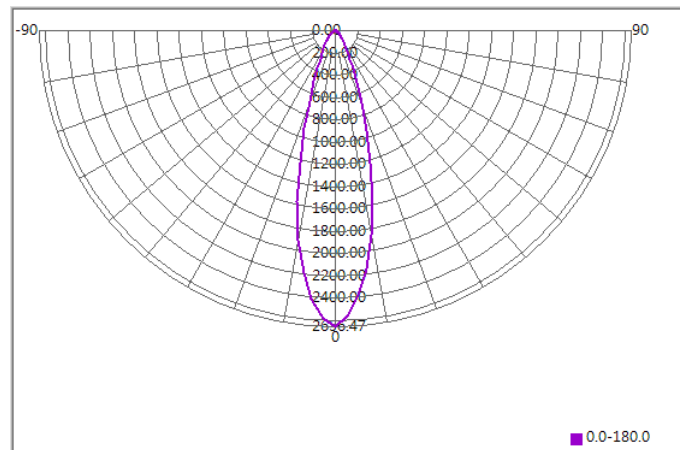




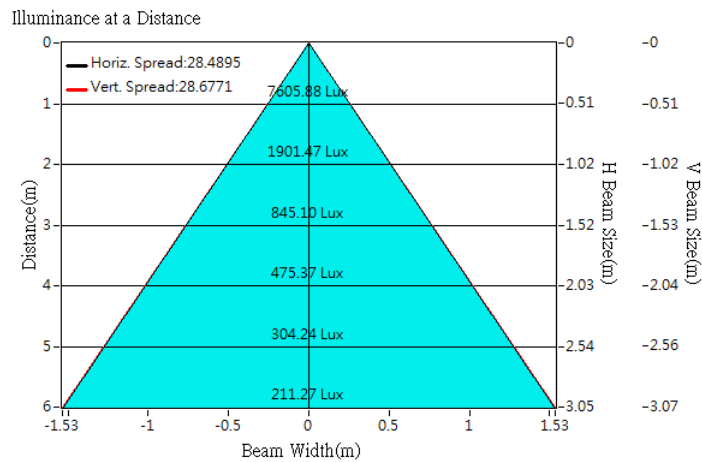
## Optical Characteristics

Model Number	CKO-CU15-034009-9900		<p>"H" definition</p>
LED	CLU 711		
LES / LED Size	Φ 8.5 mm		
FWHM (D50)	28°		
Field Angle (D10)	57°		
H (distance)	2.4 mm		
Dimension	Φ =33.9 mm, Thickness= 8.2 mm		
Luminous Flux	2863 lm	Measured @ 25.6 W	
Material	PC / UL94V2		

## cd/klm

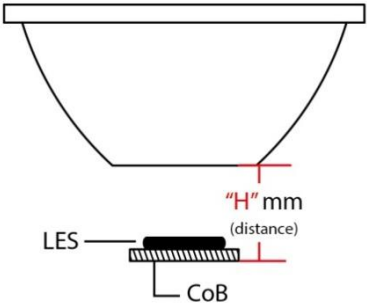


## Illuminance At Distances

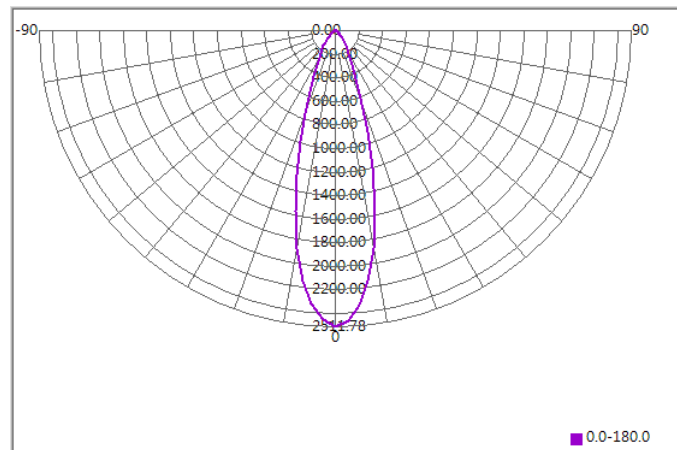




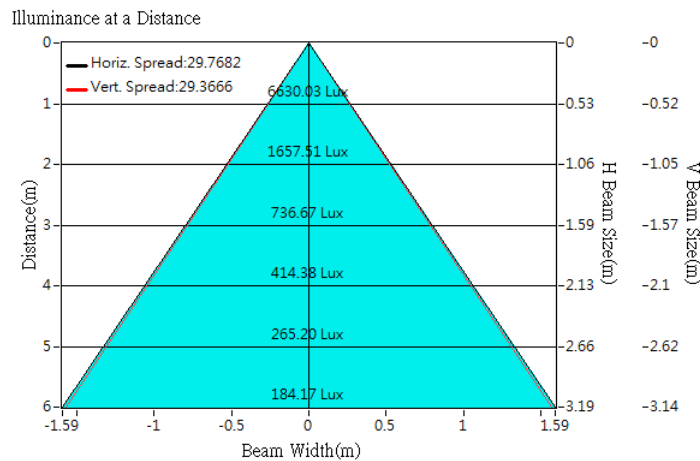
## Optical Characteristics

Model Number	CKO-CU15-034009-9900		<p>"H" definition</p> 
LED	<b>CLU 710</b>		
LES / LED Size	Φ 8.5 mm		
FWHM (D50)	30°		
Field Angle (D10)	60°		
H (distance)	2.4 mm		
Dimension	Φ =33.9 mm, Thickness= 8.2 mm		
Luminous Flux	2639 lm	Measured @ 26.5 W	
Material	PC / UL94V2		

## cd/klm



## Illuminance At Distances

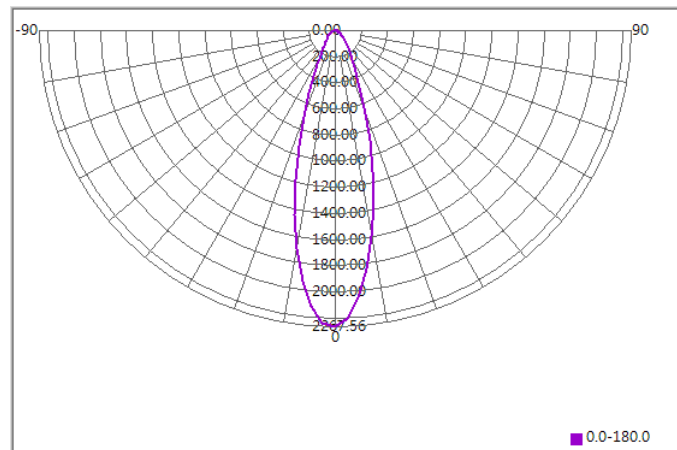




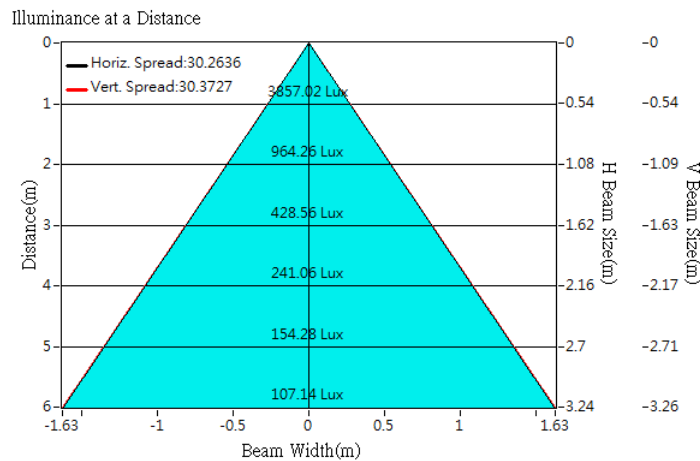
## Optical Characteristics

Model Number	CKO-CU15-034009-9900	<p>"H" definition</p>	
LED	<b>CLU 028</b>		
LES / LED Size	Φ 9.8 mm		
FWHM (D50)	30°		
Field Angle (D10)	62°		
H (distance)	2.4 mm		
Dimension	Φ =33.9 mm, Thickness= 8.2 mm		
Luminous Flux	1700 lm		Measured @ 12.6 W
Material	PC / UL94V2		

## cd/klm



## Illuminance At Distances

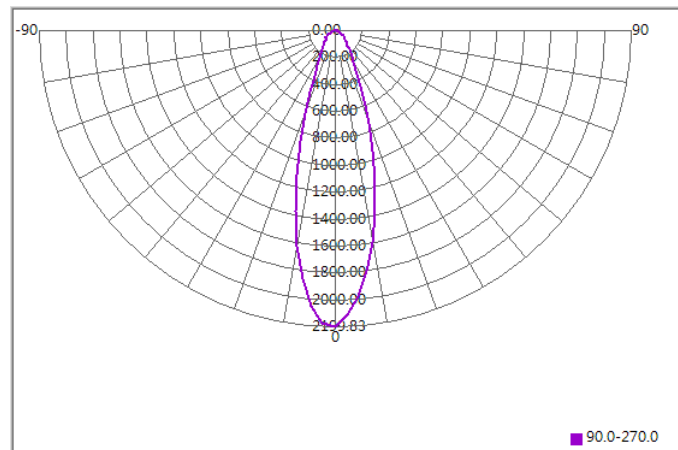




## Optical Characteristics

Model Number	CKO-CU15-034009-9900		<p>"H" definition</p>
LED	CLU 026		
LES / LED Size	Φ 9.8 mm		
FWHM (D50)	31°		
Field Angle (D10)	66°		
H (distance)	2.4 mm		
Dimension	Φ =33.9 mm, Thickness= 8.2 mm		
Luminous Flux	1655 lm	Measured @ 12.5 W	
Material	PC / UL94V2		

## cd/klm



## Illuminance At Distances

