



Product Model Number

CKO-CU15-034009-9900

✓ Model Number Definitions

CKO-XXXX-XXXXXX-XXXX

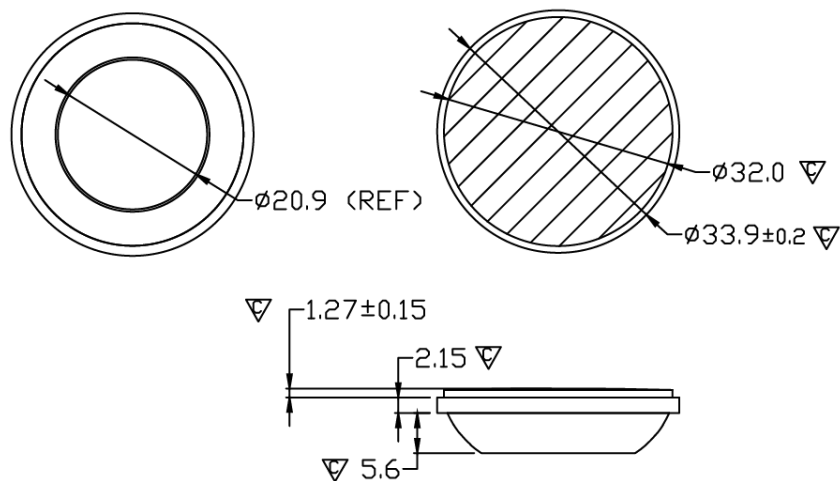


- A. Chun Kuang Optics Corp. Product
- B. Product Type: product abbreviation
Ex:
CH→CoB High Intensity
CC→CoB Compact
CS→Soft Shading for CoB LED
HC→Holder for CoB LED

- C. Identity Code
- D. Lens / Fixture Size
Ex: 075026=Φ75mm / Thickness=26mm (round up)
- C. Serial Numbers

The lens datasheet is applicable for **Cree LED**, that manufactured by Chun Kuang Optics Corp.

✓ Dimensions (mm) : Φ33.9 x 8.2



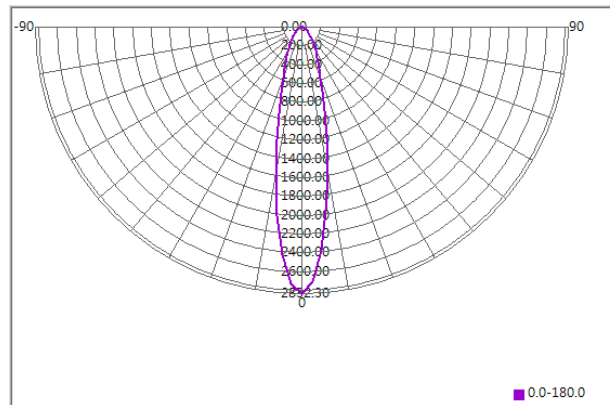
▽:Critical Dimension



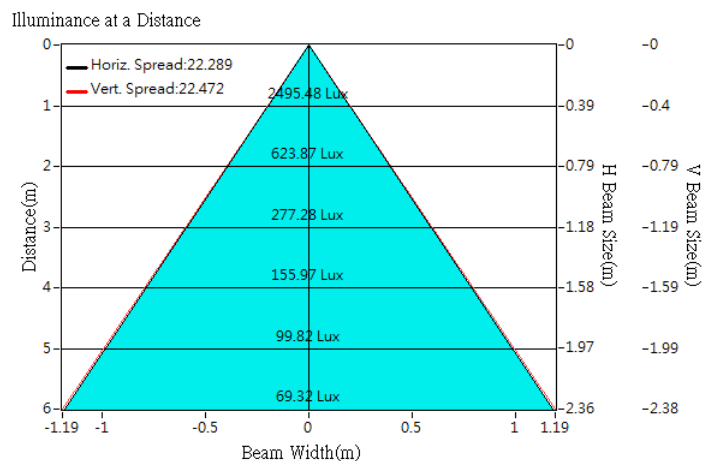
Optical Characteristics

Model Number	CKO-CU15-034009-9900		<p>"H" definition</p>
LED	MHD-E		
LES / LED Size	7.0 x 7.0 mm		
FWHM (D50)	22°		
Field Angle (D10)	64°		
H (distance)	2.4 mm		
Dimension	Φ =33.9 mm, Thickness= 8.2 mm		
Luminous Flux	881 lm	Measured @ 7.5 W	
Material	PC / UL94V2		

cd/klm



Illuminance At Distances

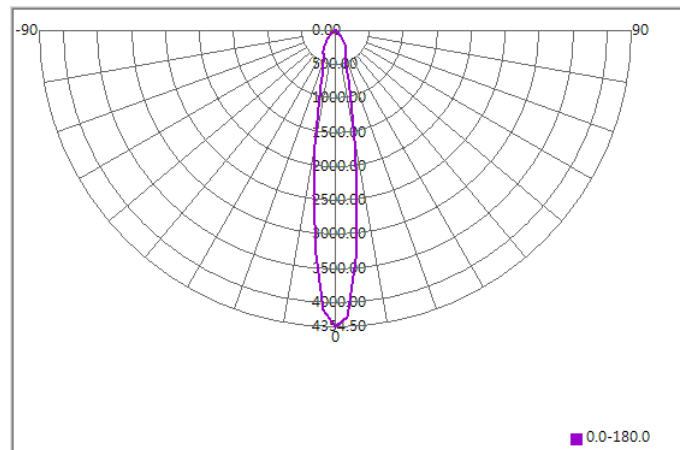




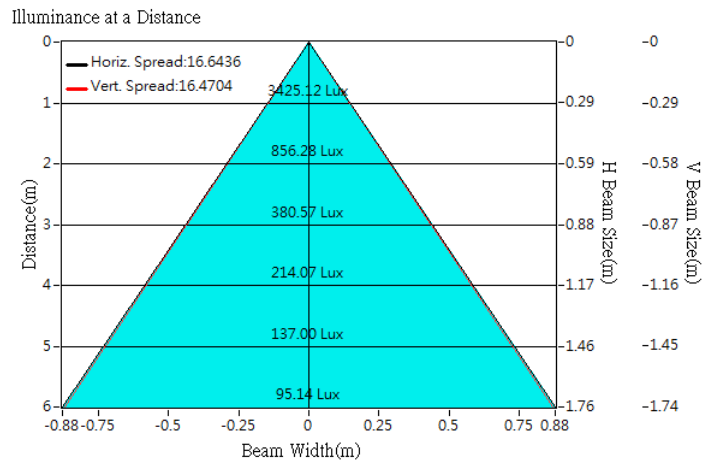
Optical Characteristics

Model Number	CKO-CU15-034009-9900		<p>"H" definition</p> <p>LES CoB</p>
LED	CMA1303		
LES / LED Size	Φ 4.5 mm		
FWHM (D50)	16°		
Field Angle (D10)	44°		
H (distance)	2.4 mm		
Dimension	Φ =33.9 mm, Thickness= 8.2 mm		
Luminous Flux	786 lm	Measured @ 6.7 W	
Material	PC / UL94V2		

cd/klm



Illuminance At Distances

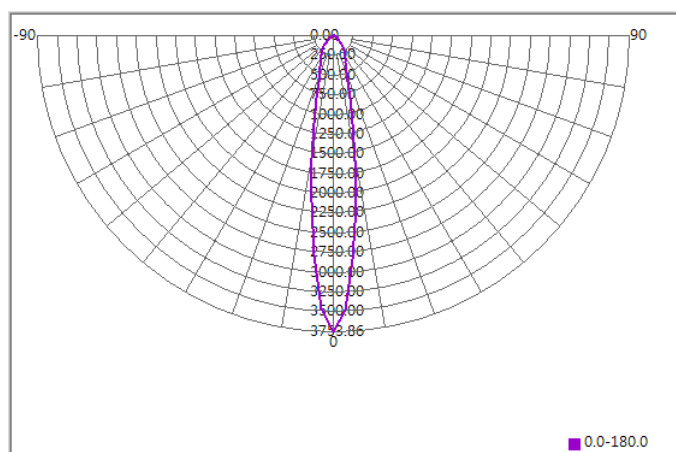




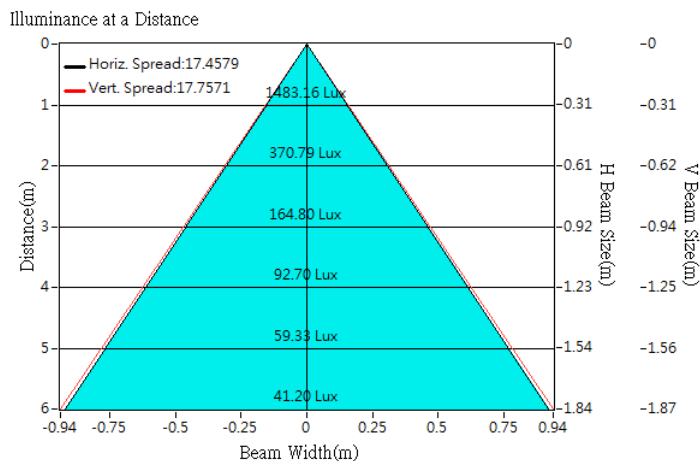
Optical Characteristics

Model Number	CKO-CU15-034009-9900		<p>"H" definition</p> <p>LES CoB</p>
LED	CXA1304		
LES / LED Size	Φ 6 mm		
FWHM (D50)	17°		
Field Angle (D10)	50°		
H (distance)	2.4 mm		
Dimension	Φ =33.9 mm, Thickness= 8.2 mm		
Luminous Flux	395 lm	Measured @ 3.7 W	
Material	PC / UL94V2		

cd/klm



Illuminance At Distances

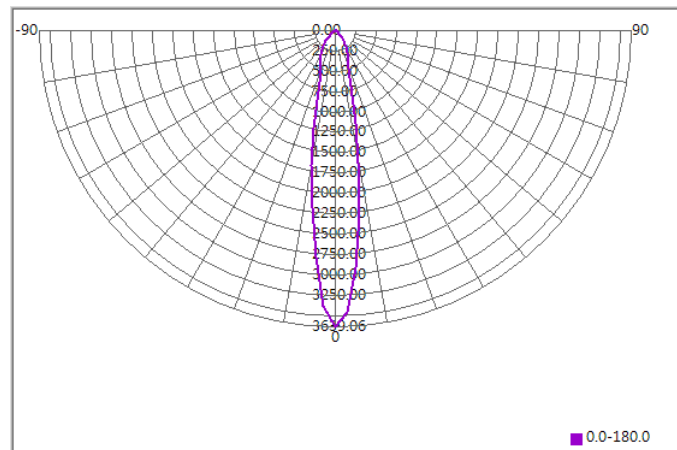




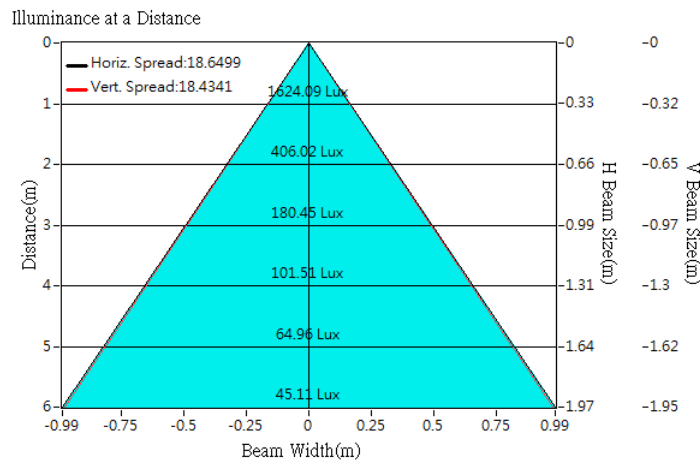
Optical Characteristics

Model Number	CKO-CU15-034009-9900		<p>"H" definition</p> <p>LES CoB</p>
LED	CXB1304		
LES / LED Size	Φ 6 mm		
FWHM (D50)	18°		
Field Angle (D10)	54°		
H (distance)	2.4 mm		
Dimension	Φ =33.9 mm, Thickness= 8.2 mm		
Luminous Flux	446 lm	Measured @ 3.5 W	
Material	PC / UL94V2		

cd/klm



Illuminance At Distances

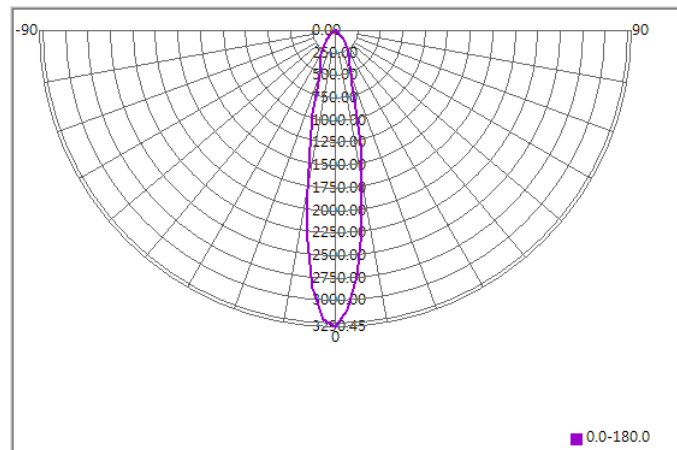




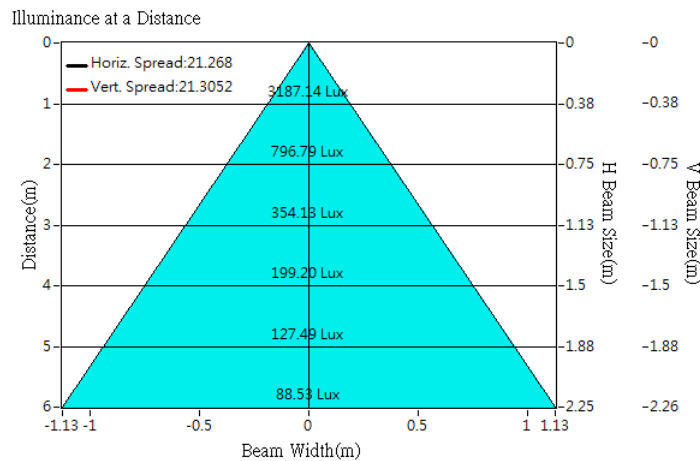
Optical Characteristics

Model Number	CKO-CU15-034009-9900	<p>"H" definition</p> <p>LES CoB</p>
LED	CMA1306	
LES / LED Size	Φ 6 mm	
FWHM (D50)	21°	
Field Angle (D10)	57°	
H (distance)	2.4 mm	
Dimension	Φ =33.9 mm, Thickness= 8.2 mm	
Luminous Flux	968 lm	
Material	PC / UL94V2	

cd/klm



Illuminance At Distances

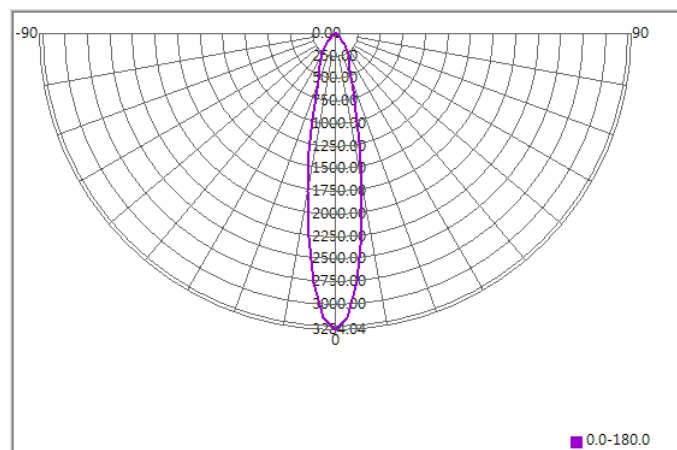




Optical Characteristics

Model Number	CKO-CU15-034009-9900		<p>"H" definition</p> <p>LES CoB</p>
LED	CXB1310		
LES / LED Size	Φ 6 mm		
FWHM (D50)	21°		
Field Angle (D10)	58°		
H (distance)	2.4 mm		
Dimension	Φ =33.9 mm, Thickness= 8.2 mm		
Luminous Flux	1493 lm	Measured @ 12.1 W	
Material	PC / UL94V2		

cd/klm



Illuminance At Distances

