



Product Model Number

CKO-CU15-034009-9903

✓ Model Number Definitions

CKO-XXXX-XXXXXX-XXXX

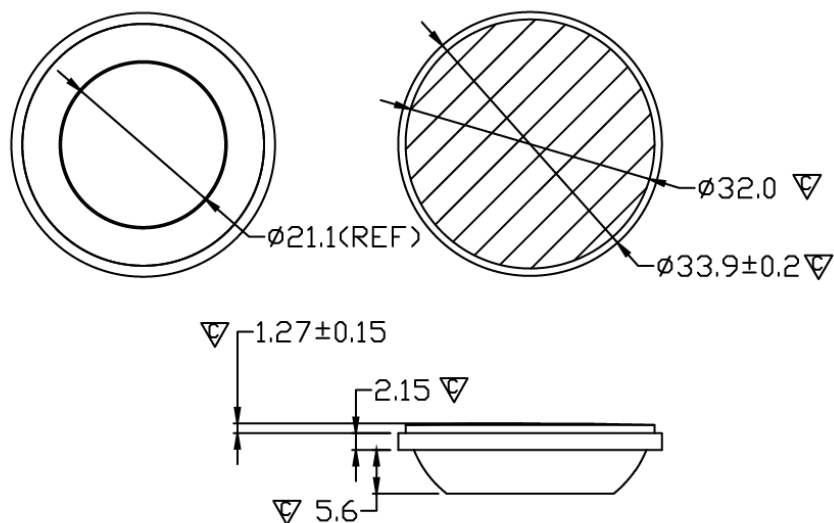


- A. Chun Kuang Optics Corp. Product
- B. Product Type: product abbreviation
Ex:
CH→CoB High Intensity
CC→CoB Compact
CS→Soft Shading for CoB LED
HC→Holder for CoB LED

- C. Identity Code
- D. Lens / Fixture Size
Ex: 075026=Φ75mm / Thickness=26mm (round up)
- C. Serial Numbers

The lens datasheet is applicable for **Cree LED**, that manufactured by Chun Kuang Optics Corp.

✓ Dimensions (mm) : **Φ33.9 x 8.2**



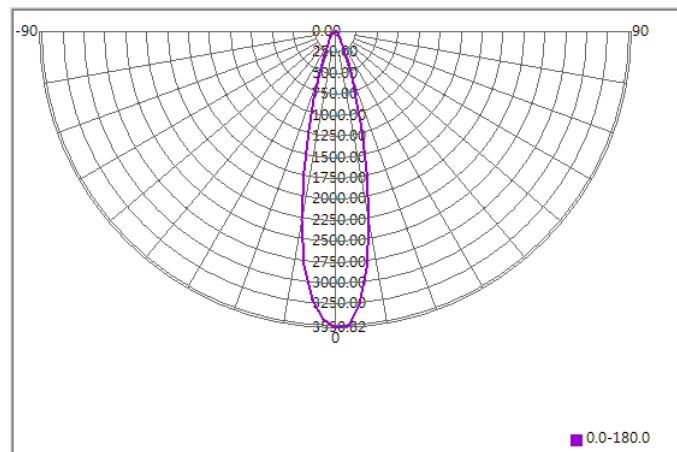
▽:Critical Dimension



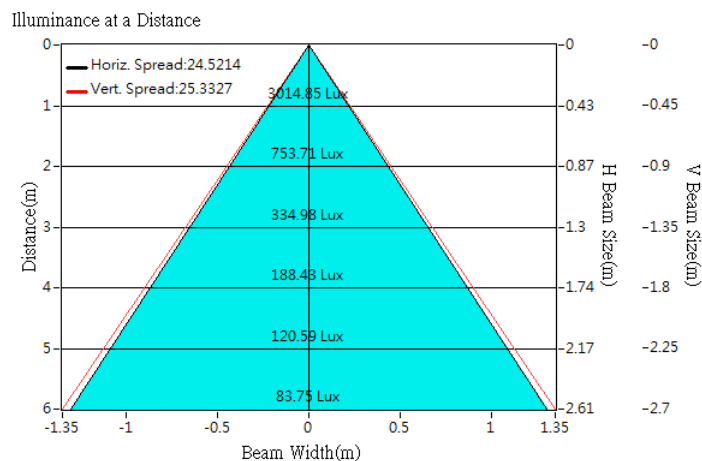
Optical Characteristics

| | | | |
|-------------------|-------------------------------|------------------|-----------------------|
| Model Number | CKO-CU15-034009-9903 | | <p>"H" definition</p> |
| LED | MHD-E | | |
| LES / LED Size | 7.0 x 7.0 mm | | |
| FWHM (D50) | 25° | | |
| Field Angle (D10) | 47° | | |
| H (distance) | 2.4 mm | | |
| Dimension | Φ =33.9 mm, Thickness= 8.2 mm | | |
| Luminous Flux | 853 lm | Measured @ 7.5 W | |
| Material | PC / UL94V2 | | |

cd/klm

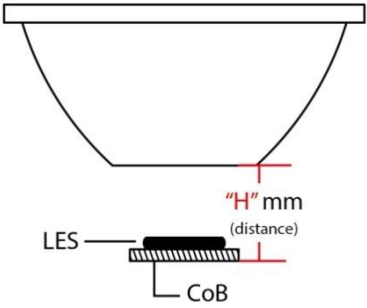


Illuminance At Distances

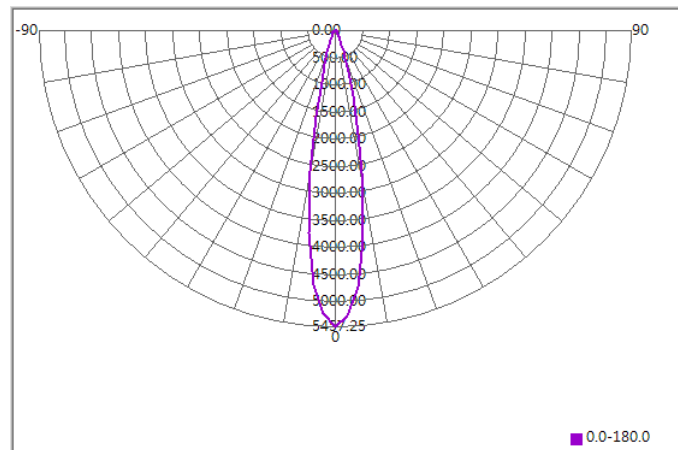




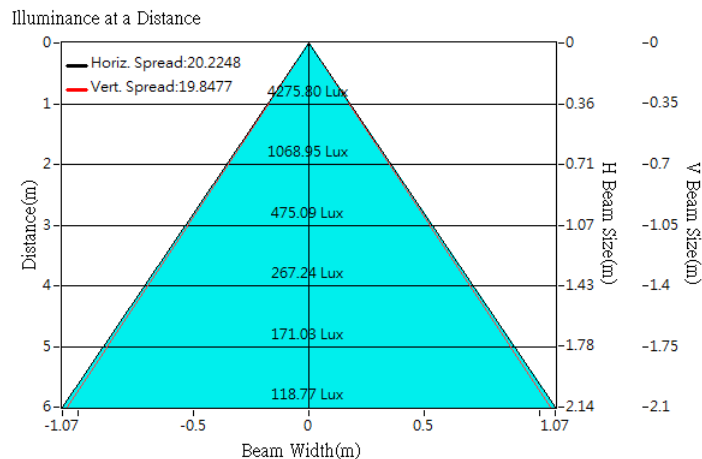
Optical Characteristics

| | | | |
|-------------------|-------------------------------|------------------|--|
| Model Number | CKO-CU15-034009-9903 | | <p>"H" definition</p>  |
| LED | CMA1303 | | |
| LES / LED Size | Φ 4.5 mm | | |
| FWHM (D50) | 20° | | |
| Field Angle (D10) | 39° | | |
| H (distance) | 2.4 mm | | |
| Dimension | Φ =33.9 mm, Thickness= 8.2 mm | | |
| Luminous Flux | 783 lm | Measured @ 6.7 W | |
| Material | PC / UL94V2 | | |

cd/klm



Illuminance At Distances

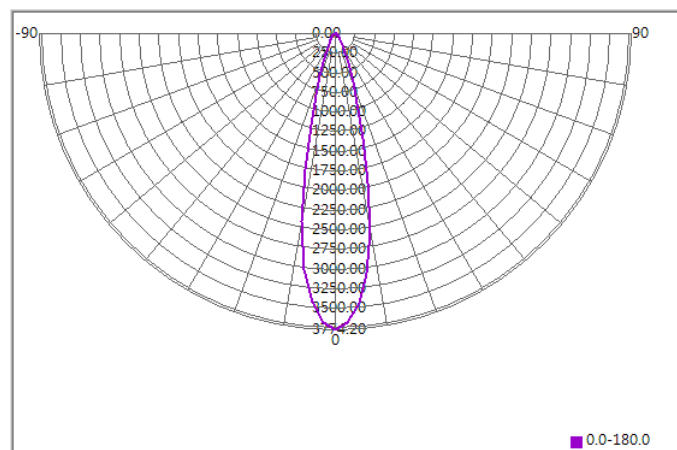




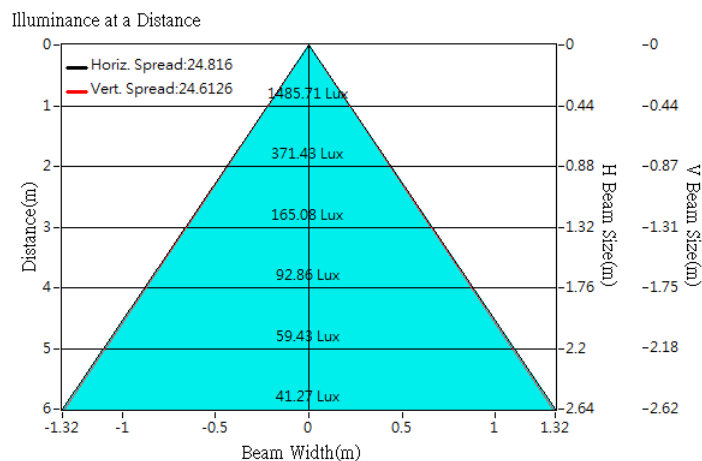
Optical Characteristics

| | | |
|-------------------|-------------------------------|--|
| Model Number | CKO-CU15-034009-9903 | <p>"H" definition</p> <p>LES CoB</p> |
| LED | CXA1304 | |
| LES / LED Size | Φ 6 mm | |
| FWHM (D50) | 25° | |
| Field Angle (D10) | 48° | |
| H (distance) | 2.4 mm | |
| Dimension | Φ =33.9 mm, Thickness= 8.2 mm | |
| Luminous Flux | 393 lm | |
| Material | PC / UL94V2 | |

cd/klm



Illuminance At Distances

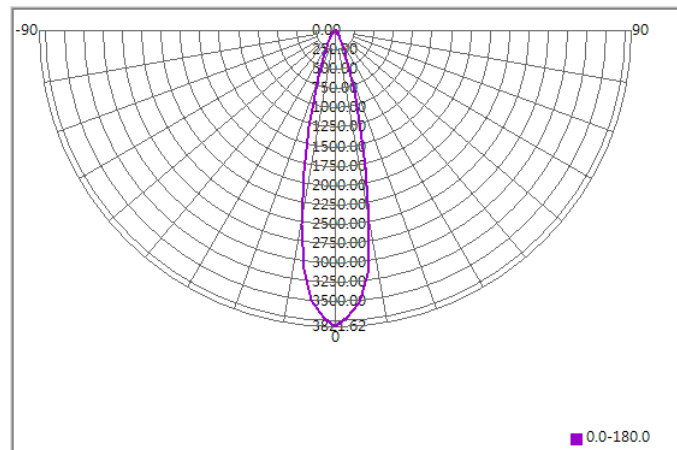




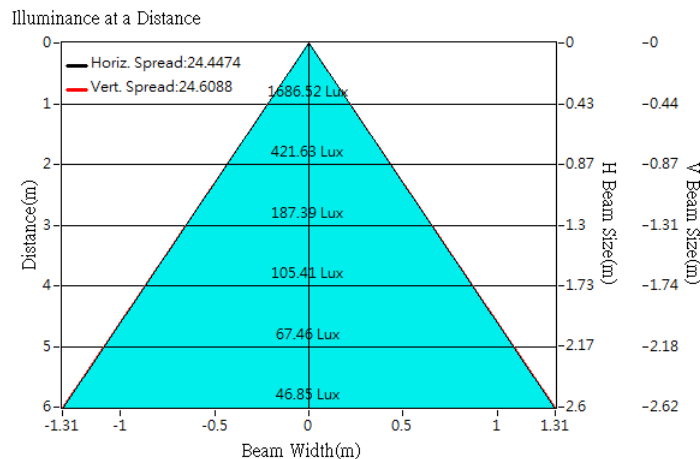
Optical Characteristics

| | | | |
|-------------------|-------------------------------|------------------|-----------------------|
| Model Number | CKO-CU15-034009-9903 | | <p>"H" definition</p> |
| LED | CXB1304 | | |
| LES / LED Size | Φ 6 mm | | |
| FWHM (D50) | 24° | | |
| Field Angle (D10) | 46° | | |
| H (distance) | 2.4 mm | | |
| Dimension | Φ =33.9 mm, Thickness= 8.2 mm | | |
| Luminous Flux | 441 lm | Measured @ 3.5 W | |
| Material | PC / UL94V2 | | |

cd/klm



Illuminance At Distances

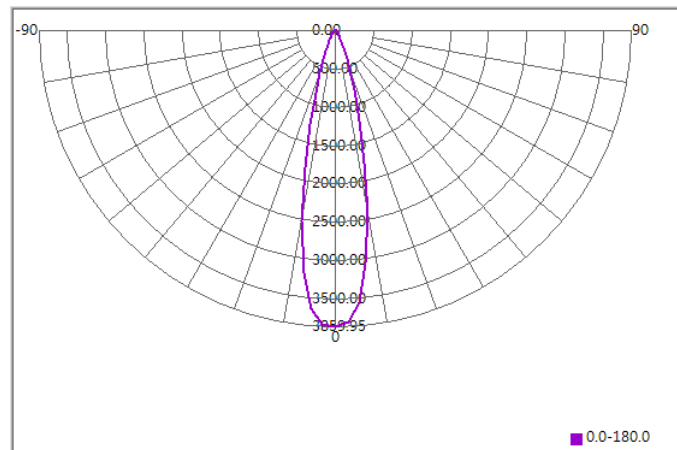




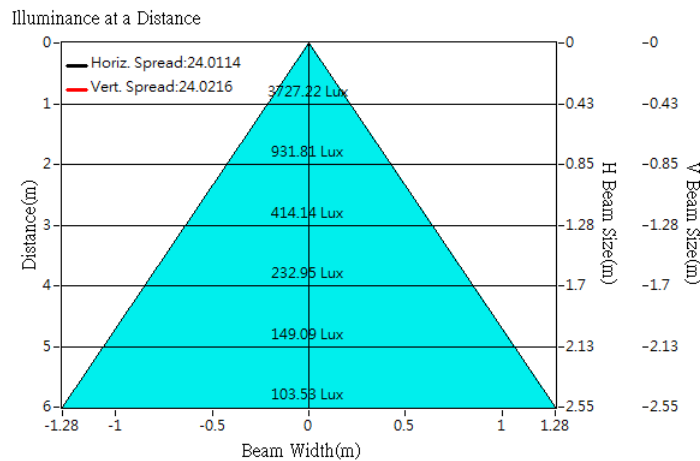
Optical Characteristics

| | | |
|-------------------|-------------------------------|--|
| Model Number | CKO-CU15-034009-9903 | <p>"H" definition</p> <p>LES CoB</p> |
| LED | CMA1306 | |
| LES / LED Size | Φ 6 mm | |
| FWHM (D50) | 24° | |
| Field Angle (D10) | 46° | |
| H (distance) | 2.4 mm | |
| Dimension | Φ =33.9 mm, Thickness= 8.2 mm | |
| Luminous Flux | 965 lm | |
| Material | PC / UL94V2 | |

cd/klm



Illuminance At Distances

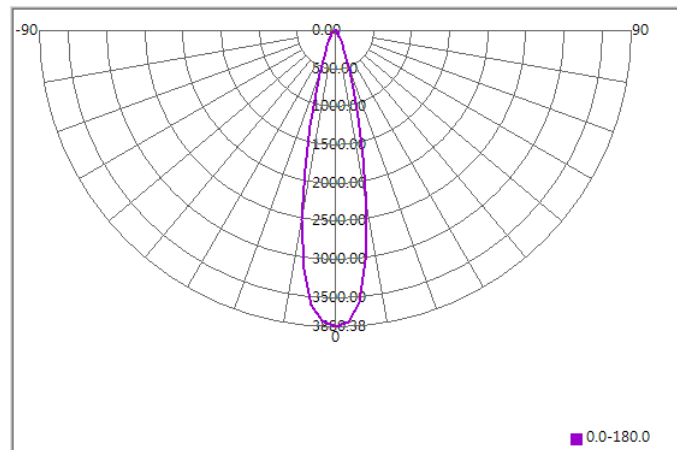




Optical Characteristics

| | | |
|-------------------|-------------------------------|--|
| Model Number | CKO-CU15-034009-9903 | <p>"H" definition</p> <p>LES CoB</p> |
| LED | CXB1310 | |
| LES / LED Size | Φ 6 mm | |
| FWHM (D50) | 24° | |
| Field Angle (D10) | 46° | |
| H (distance) | 2.4 mm | |
| Dimension | Φ =33.9 mm, Thickness= 8.2 mm | |
| Luminous Flux | 1515 lm | |
| Material | PC / UL94V2 | |

cd/klm



Illuminance At Distances

