



Product Part Number

CKO-CW17-045021-1321

✓ Model Number Definitions

CKO-XXXX-XXXXXX-XXXX

(A)

(B)

(C)

(D)

(E)

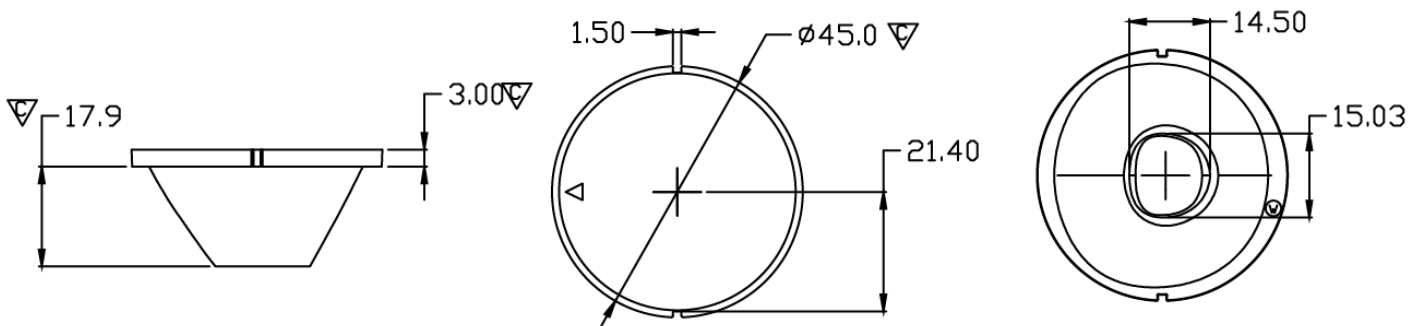


- A. Chun Kuang Optics Corp. Product
- B. Product Type: product abbreviation
Ex:
MX→Multi 33 in 1
SW→Single Wall Washer
CW→Wall Washer for CoB LED
HC→Holder for CoB LED

- C. Identity Code
- D. Lens / Fixture Size
Ex: 075026=Φ75mm / Thickness=26mm (round up)
- E. Serial Numbers

The lens datasheet is applicable for **Citizen LED**, that manufactured by Chun Kuang Optics Corp.

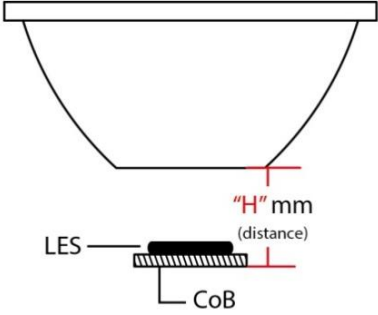
✓ Dimensions (mm) : Φ45x20.9



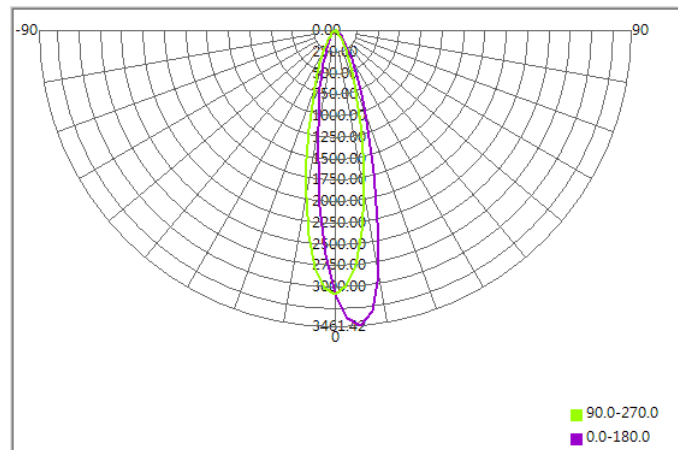
▽:Critical Dimension



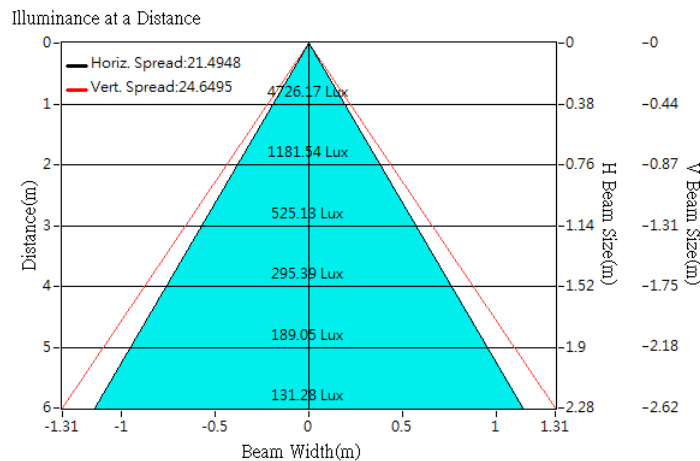
Optical Characteristics

Part Number	CKO-CW17-045021-1321		"H" definition 
LED	CLU 028		
LES / LED Size	Φ 9.8 mm		
FWHM (D50)	21°x25°		
H (distance)	2.5mm		
Dimension	Φ =45 mm, Thickness=20.9 mm		
Luminous Flux	1534 lm	Measured @ 12.5 W	
Material	PC / UL94V2		

cd/klm

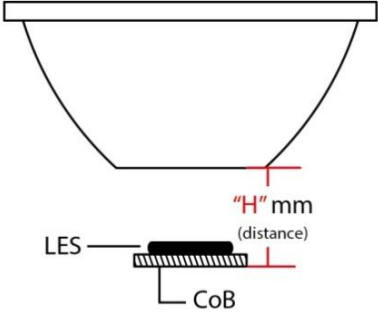


Illuminance At Distances

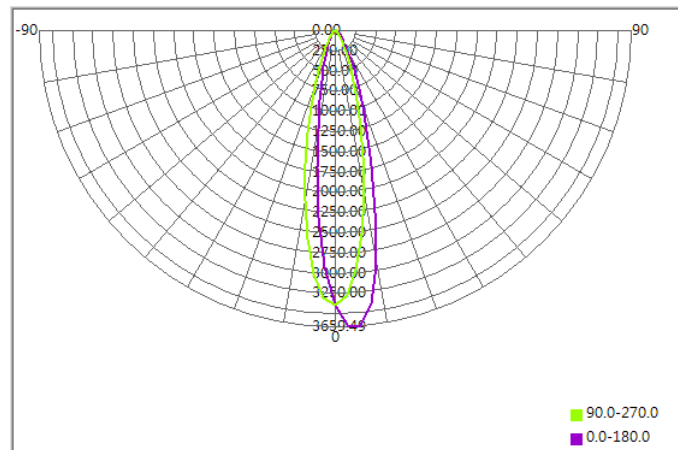




Optical Characteristics

Part Number	CKO-CW17-045021-1321		"H" definition 
LED	CLU 026		
LES / LED Size	Φ 9.8 mm		
FWHM (D50)	22°x24°		
H (distance)	2.5mm		
Dimension	Φ =45 mm, Thickness=20.9 mm		
Luminous Flux	1485 lm	Measured @ 12.8 W	
Material	PC / UL94V2		

cd/klm



Illuminance At Distances

