

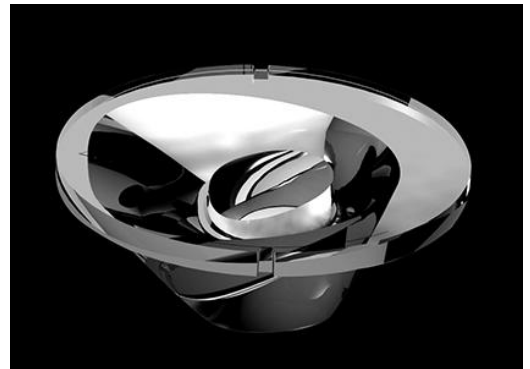


Product Part Number

CKO - CW18 - 045017 - 0521

✓ Model Number Definitions

CKO-XXXX-XXXXXX-XXXX

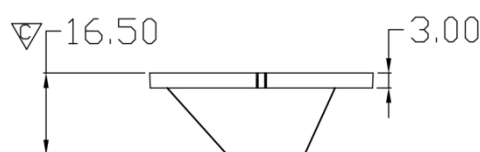
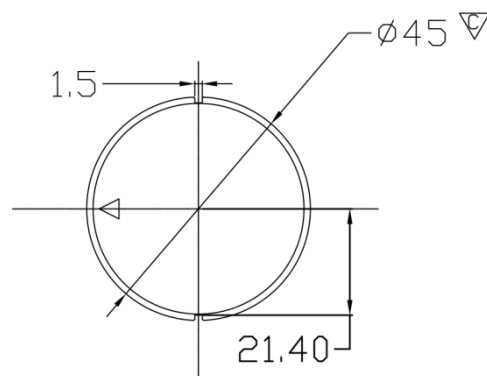
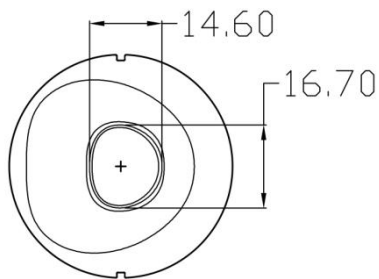


- A. Chun Kuang Optics Corp. Product
- B. Product Type: product abbreviation
Ex:
MX→Multi 33 in 1
SW→Single Wall Washer
CW→Wall Washer for CoB LED
HC→Holder for CoB LED

- C. Identity Code
- D. Lens / Fixture Size
Ex: 075026=Φ75mm / Thickness=26mm (round up)
- C. Serial Numbers

The lens datasheet is applicable for **Citizen LED**, that manufactured by Chun Kuang Optics Corp.

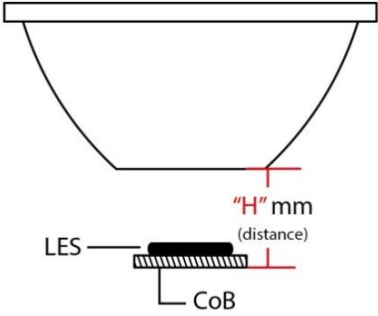
✓ Dimensions (mm) : Φ45x16.6



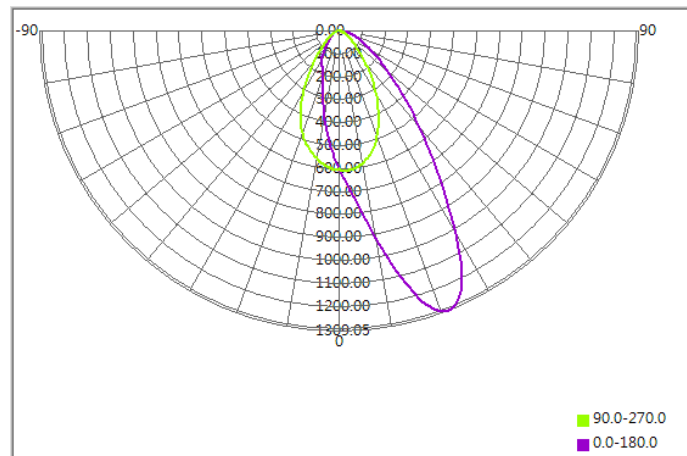
▽:Critical Dimension



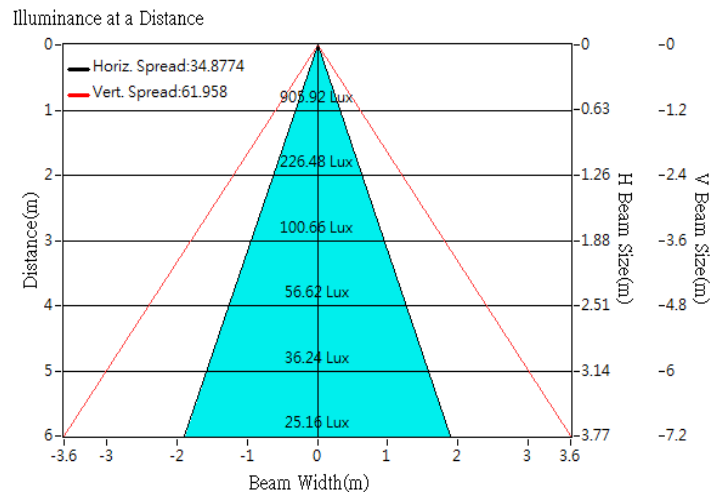
Optical Characteristics

Part Number	CKO-CW18-045017-0521		"H" definition 
LED	CLU 028		
LES / LED Size	Φ 9.8 mm		
FWHM (D50)	35°x62°		
H (distance)	2.5 mm		
Dimension	Φ =45 mm, Thickness=16.6 mm		
Luminous Flux	1501 lm	Measured @ 12.3 W	
Material	PC / UL94V2		

cd/klm

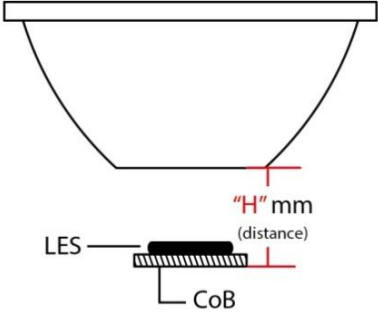


Illuminance At Distances

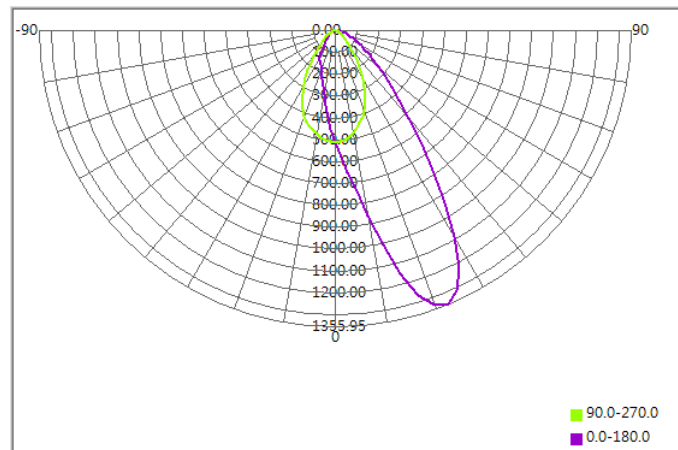




Optical Characteristics

Part Number	CKO-CW18-045017-0521		"H" definition 
LED	CLU 026		
LES / LED Size	Φ 9.8 mm		
FWHM (D50)	31°x62°		
H (distance)	2.5 mm		
Dimension	Φ =45 mm, Thickness=16.6 mm		
Luminous Flux	1480 lm	Measured @ 12.7 W	
Material	PC / UL94V2		

cd/klm



Illuminance At Distances

