

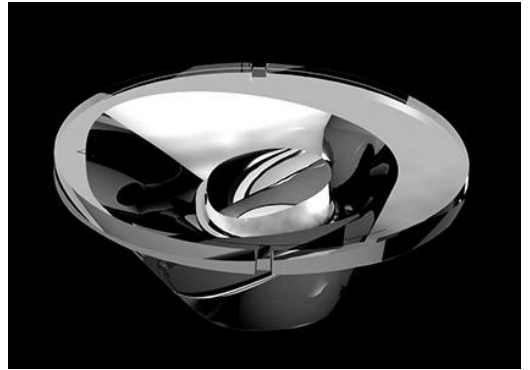


Product Part Number

CKO - CW18 - 045017 - 0521

✓ Model Number Definitions

CKO-XXXX-XXXXXX-XXXX

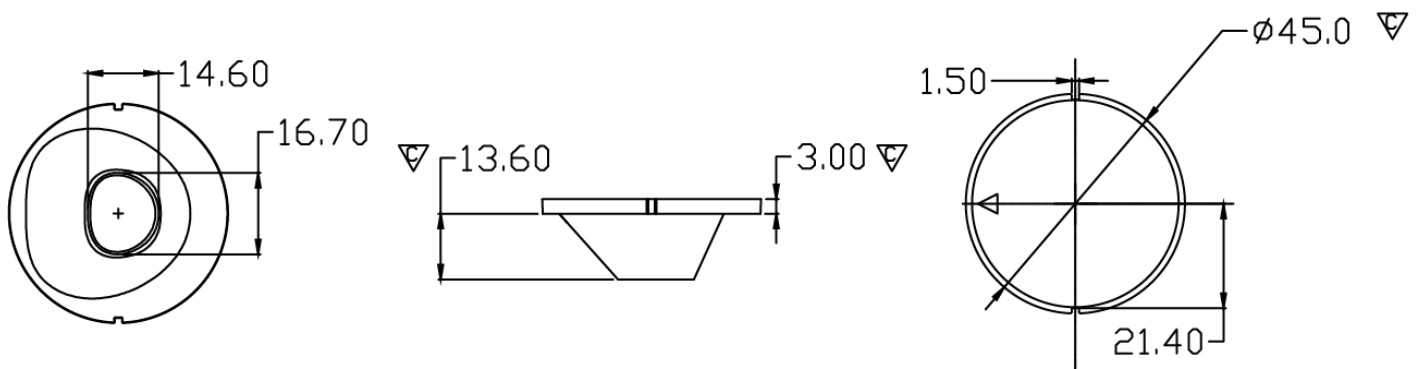


- A. Chun Kuang Optics Corp. Product
- B. Product Type: product abbreviation
Ex:
MX→Multi 33 in 1
SW→Single Wall Washer
CW→Wall Washer for CoB LED
HC→Holder for CoB LED

- C. Identity Code
- D. Lens / Fixture Size
Ex: 075026=Φ75mm / Thickness=26mm (round up)
- C. Serial Numbers

The lens datasheet is applicable for **Cree LED**, that manufactured by Chun Kuang Optics Corp.

✓ Dimensions (mm) : Φ45x16.6



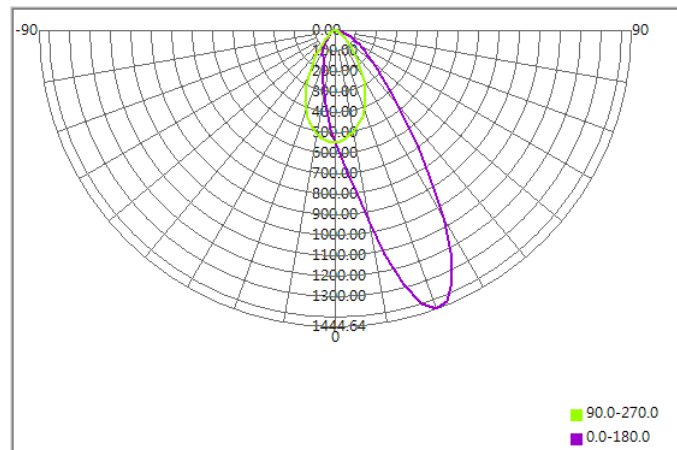
▽:Critical Dimension



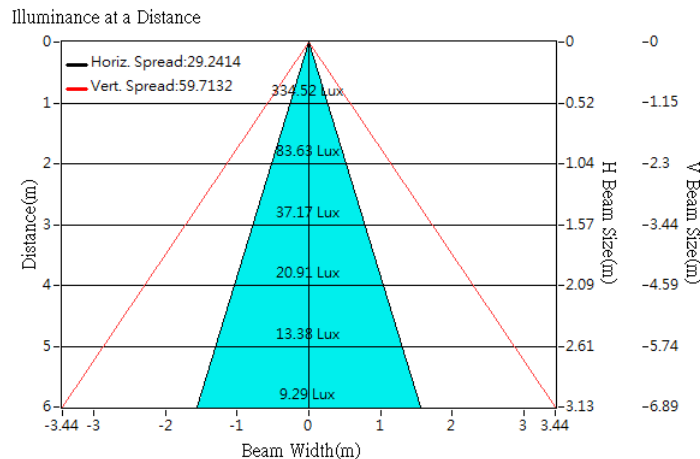
Optical Characteristics

| | | | |
|----------------|-----------------------------|------------------|-----------------------|
| Part Number | CKO-CW18-045017-0521 | | <p>"H" definition</p> |
| LED | CXA1507 | | |
| LES / LED Size | Φ 9 mm | | |
| FWHM (D50) | 29°x60° | | |
| H (distance) | 2.5mm | | |
| Dimension | Φ =45 mm, Thickness=16.6 mm | | |
| Luminous Flux | 614.372 lm | Measured @ 7.7 W | |
| Material | PC / UL94V2 | | |

cd/klm

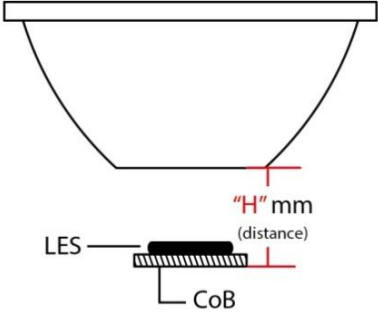


Illuminance At Distances

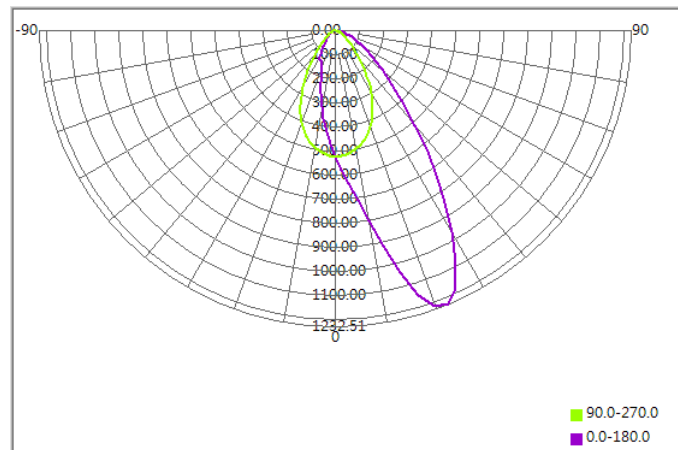




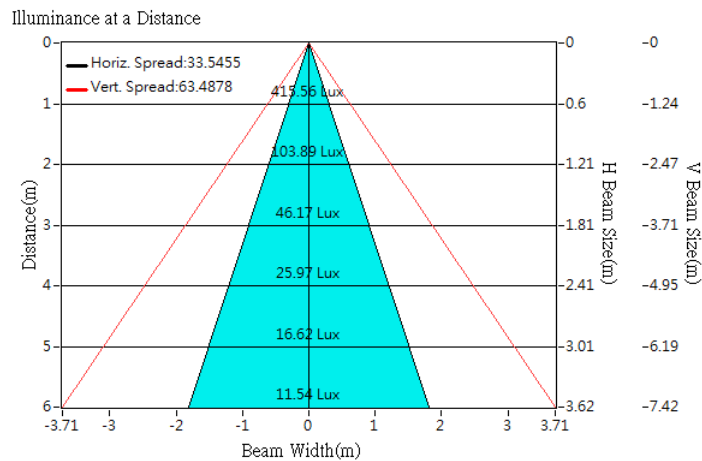
Optical Characteristics

| | | | |
|----------------|-----------------------------|------------------|--|
| Part Number | CKO-CW18-045017-0521 | | "H" definition  |
| LED | CXB 1507 | | |
| LES / LED Size | Φ 9 mm | | |
| FWHM (D50) | 34°x63° | | |
| H (distance) | 2.5mm | | |
| Dimension | Φ =45 mm, Thickness=16.6 mm | | |
| Luminous Flux | 792 lm | Measured @ 7.2 W | |
| Material | PC / UL94V2 | | |

cd/klm

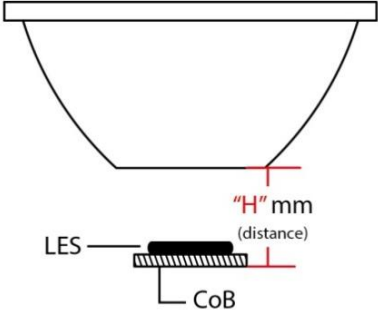


Illuminance At Distances

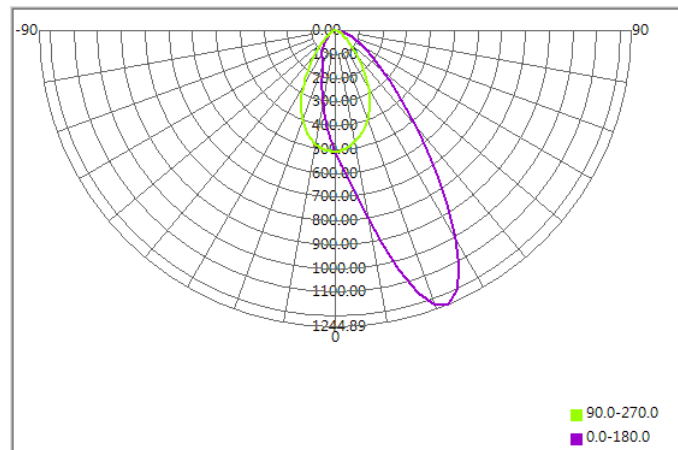




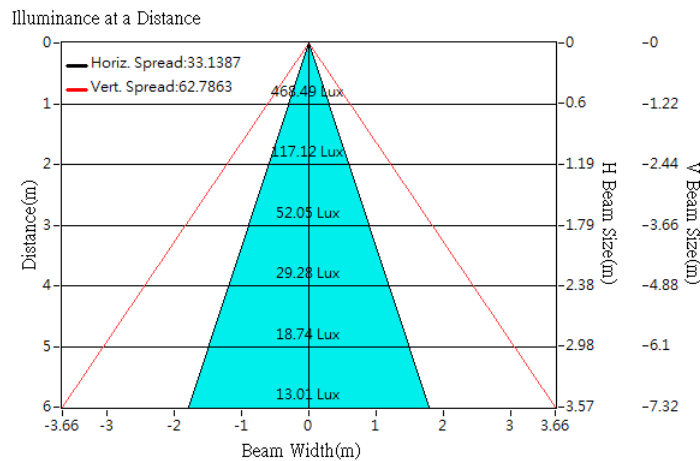
Optical Characteristics

| | | | |
|----------------|-----------------------------|----------------|--|
| Part Number | CKO-CW18-045017-0521 | | "H" definition  |
| LED | CXA1510 | | |
| LES / LED Size | Φ 9 mm | | |
| FWHM (D50) | 33°x63° | | |
| H (distance) | 2.5mm | | |
| Dimension | Φ =45 mm, Thickness=16.6 mm | | |
| Luminous Flux | 919 lm | Measured @ 9 W | |
| Material | PC / UL94V2 | | |

cd/klm

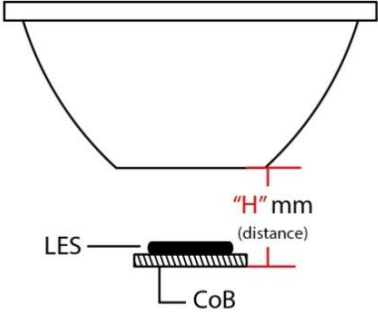


Illuminance At Distances

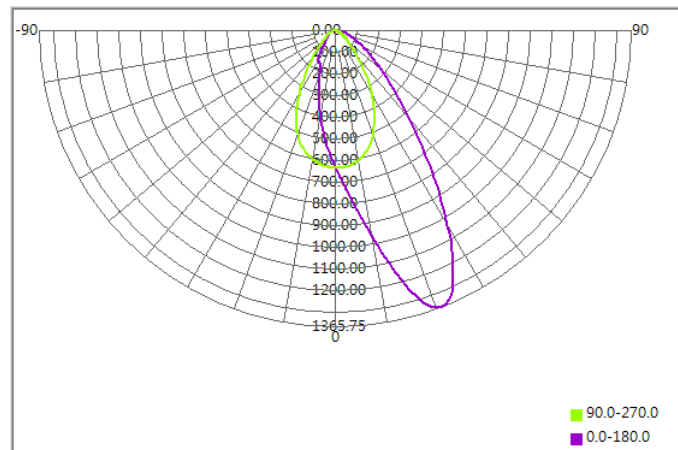




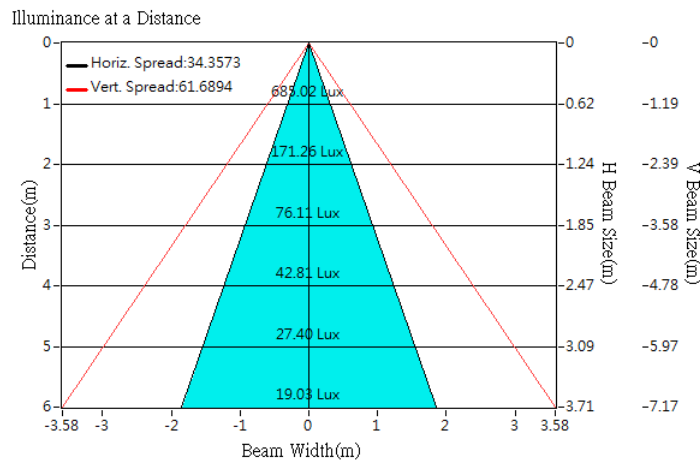
Optical Characteristics

| | | | |
|----------------|-----------------------------|-------------------|--|
| Part Number | CKO-CW18-045017-0521 | | "H" definition  |
| LED | CXA 1512 | | |
| LES / LED Size | Φ 9 mm | | |
| FWHM (D50) | 34°x62° | | |
| H (distance) | 2.5 mm | | |
| Dimension | Φ =45 mm, Thickness=16.6 mm | | |
| Luminous Flux | 1087 lm | Measured @ 13.4 W | |
| Material | PC / UL94V2 | | |

cd/klm

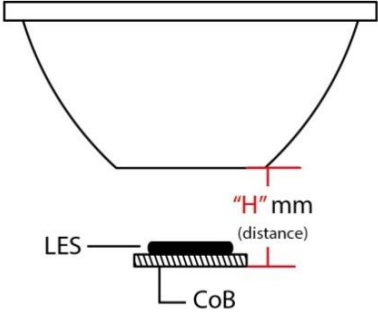


Illuminance At Distances

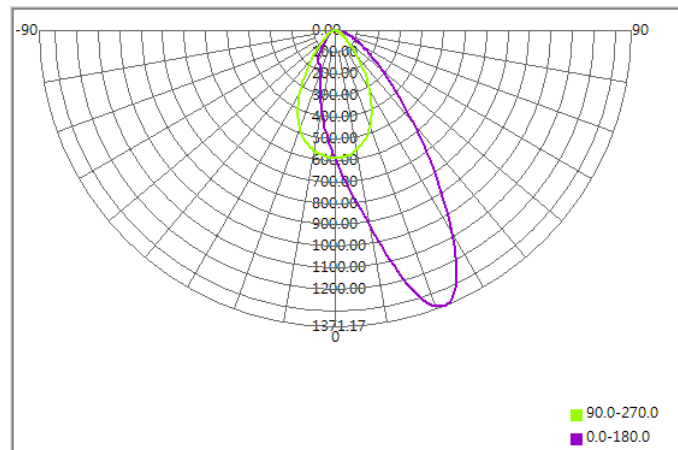




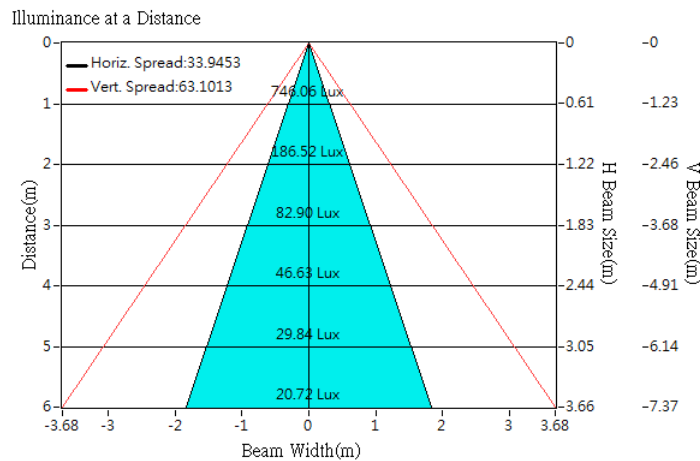
Optical Characteristics

| | | | |
|----------------|-----------------------------|-----------------|--|
| Part Number | CKO-CW18-045017-0521 | | "H" definition  |
| LED | CXB 1512 | | |
| LES / LED Size | Φ 9 mm | | |
| FWHM (D50) | 34°x63° | | |
| H (distance) | 2.5 mm | | |
| Dimension | Φ =45 mm, Thickness=16.6 mm | | |
| Luminous Flux | 1259 lm | Measured @ 12 W | |
| Material | PC / UL94V2 | | |

cd/klm

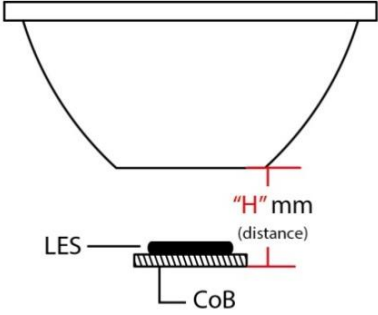


Illuminance At Distances

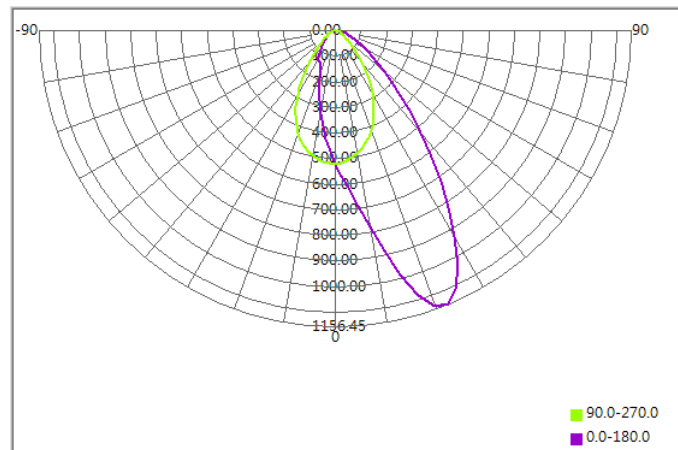




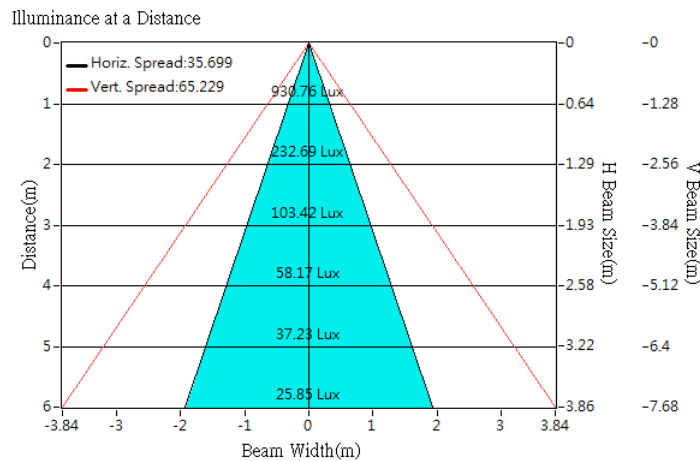
Optical Characteristics

| | | | |
|----------------|-----------------------------|-----------------|--|
| Part Number | CKO-CW18-045017-0521 | | "H" definition  |
| LED | CMA1516 | | |
| LES / LED Size | Φ 9 mm | | |
| FWHM (D50) | 36°x65° | | |
| H (distance) | 2.5 mm | | |
| Dimension | Φ =45 mm, Thickness=16.6 mm | | |
| Luminous Flux | 1790 lm | Measured @ 16 W | |
| Material | PC / UL94V2 | | |

cd/klm

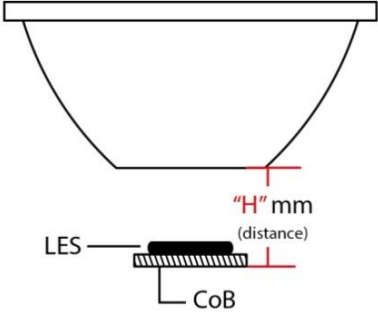


Illuminance At Distances

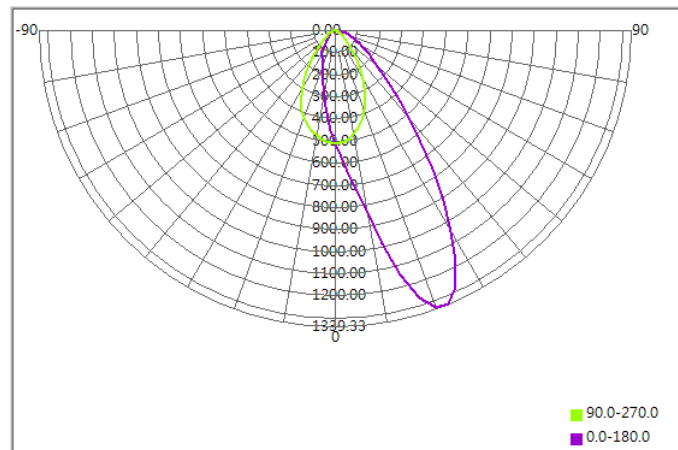




Optical Characteristics

| | | | |
|----------------|-----------------------------|-------------------|--|
| Part Number | CKO-CW18-045017-0521 | | "H" definition  |
| LED | CXB 1520 | | |
| LES / LED Size | Φ 9 mm | | |
| FWHM (D50) | 31°x63° | | |
| H (distance) | 2.5 mm | | |
| Dimension | Φ =45 mm, Thickness=16.6 mm | | |
| Luminous Flux | 1896 lm | Measured @ 17.2 W | |
| Material | PC / UL94V2 | | |

cd/klm



Illuminance At Distances

