

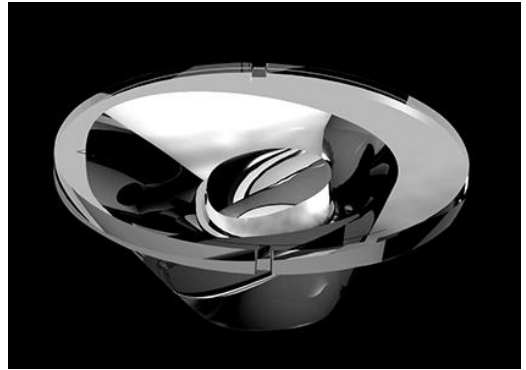


## Product Part Number

CKO - CW18 - 045017 - 0521

### ✓ Model Number Definitions

**CKO-XXXX-XXXXXX-XXXX**

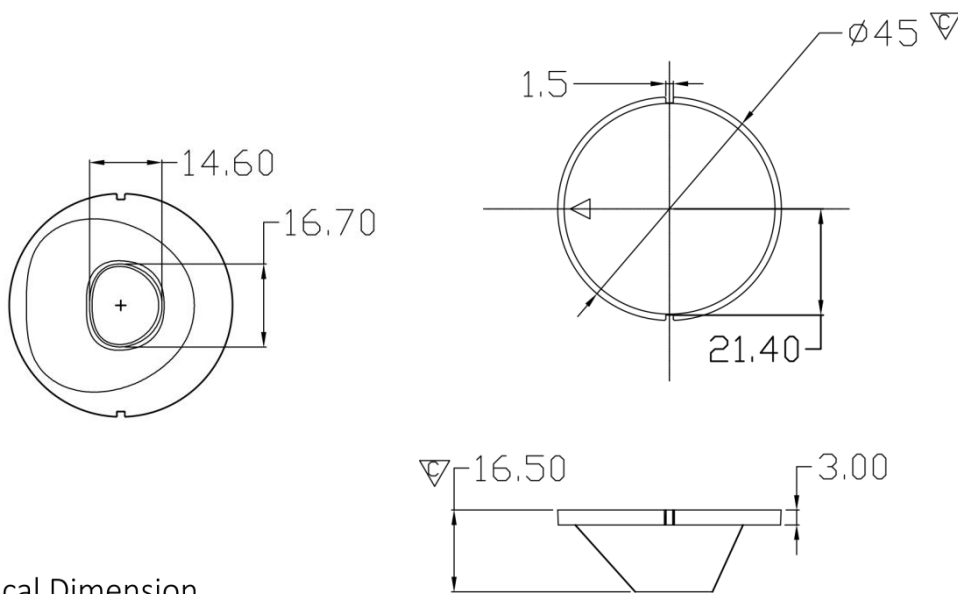


- A. Chun Kuang Optics Corp. Product
- B. Product Type: product abbreviation  
Ex:  
MX→Multi 33 in 1  
SW→Single Wall Washer  
CW→Wall Washer for CoB LED  
HC→Holder for CoB LED

- C. Identity Code
- D. Lens / Fixture Size  
Ex: 075026=Φ75mm / Thickness=26mm (round up)
- E. Serial Numbers

The lens datasheet is applicable for **Philips LED**, that manufactured by Chun Kuang Optics Corp.

### ✓ Dimensions (mm) : Φ45x16.6

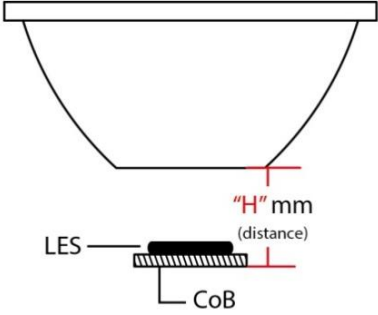


▽:Critical Dimension

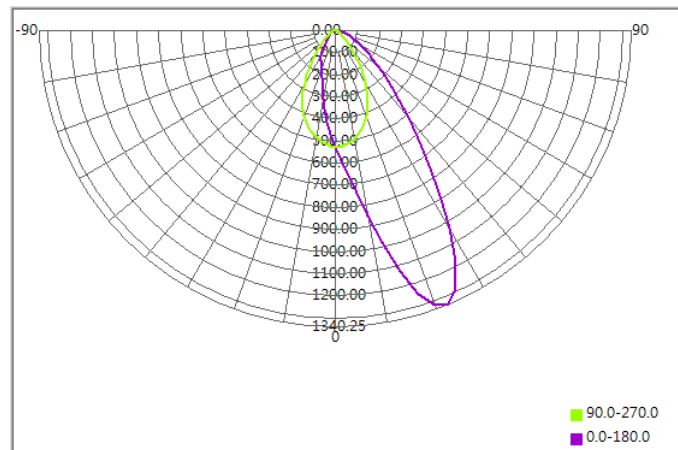




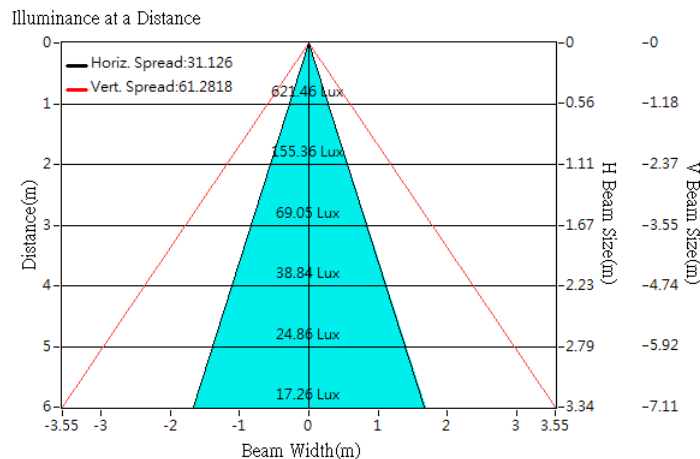
## Optical Characteristics

Part Number	CKO-CW18-045017-0521		<p>"H" definition</p> 
LED	<b>Fortimo SLM 1203 L09 G6</b>		
LES / LED Size	Φ 9 mm		
FWHM (D50)	31°x61°		
H (distance)	2.5 mm		
Dimension	Φ =45 mm, Thickness=16.6 mm		
Luminous Flux	1176.8 lm	Measured @ 10.6 W	
Material	PC / UL94V2		

## cd/klm

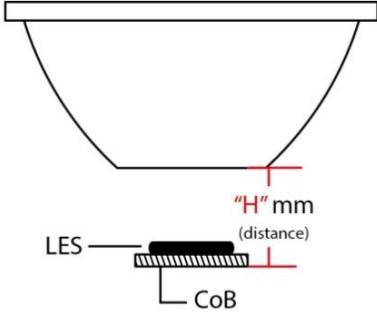


## Illuminance At Distances

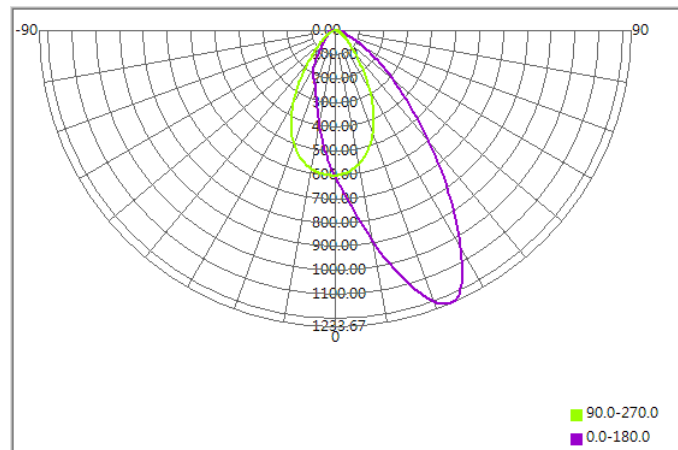




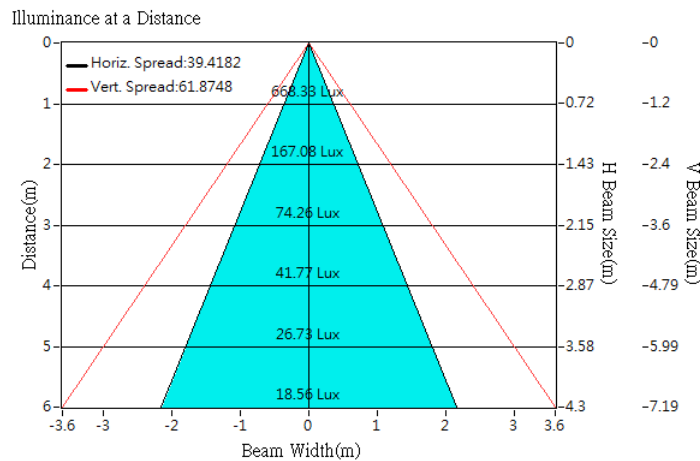
## Optical Characteristics

Part Number	CKO-CW18-045017-0521		"H" definition 
LED	<b>Fortimo SLM 1203 L09 G6_DL</b>		
LES / LED Size	Φ 9 mm		
FWHM (D50)	39°x62°		
H (distance)	2.5 mm		
Dimension	Φ =45 mm, Thickness=16.6 mm		
Luminous Flux	1101.5 lm	Measured @ 10.4 W	
Material	PC / UL94V2		

## cd/klm

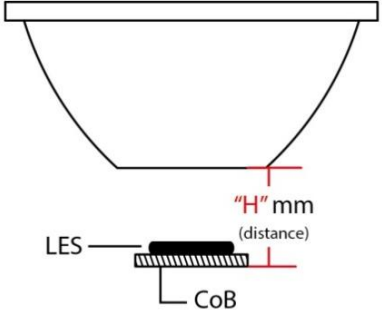


## Illuminance At Distances

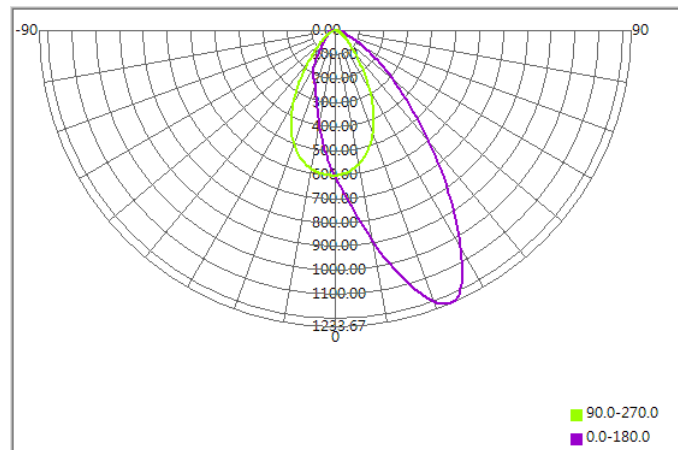




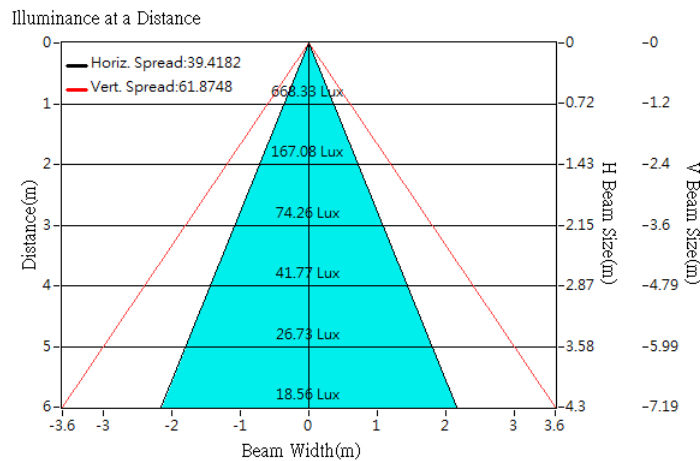
## Optical Characteristics

Part Number	CKO-CW18-045017-0521		"H" definition 
LED	<b>Fortimo SLM 1203 L09 G6_PI</b>		
LES / LED Size	Φ 9 mm		
FWHM (D50)	39°x62°		
H (distance)	2.5 mm		
Dimension	Φ =45 mm, Thickness=16.6 mm		
Luminous Flux	1101.5 lm	Measured @ 10.4 W	
Material	PC / UL94V2		

## cd/klm



## Illuminance At Distances

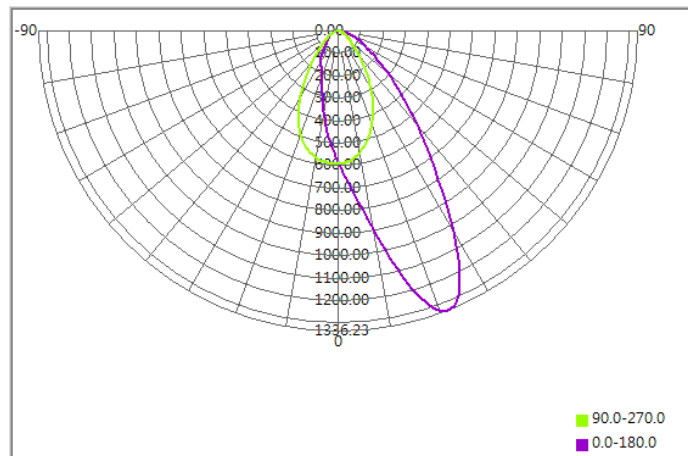




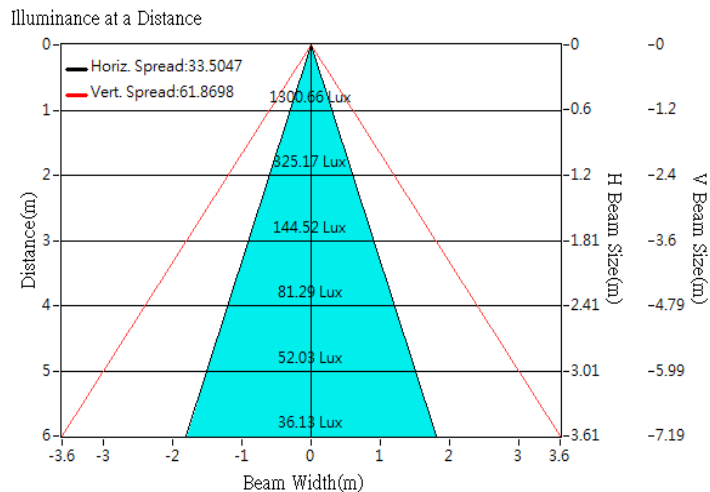
## Optical Characteristics

Part Number	CKO-CW18-045017-0521		<p>"H" definition</p>
LED	<b>Fortimo SLM PW 1204 L09 G7</b>		
LES / LED Size	Φ 9 mm		
FWHM (D50)	34°x62°		
H (distance)	2.5 mm		
Dimension	Φ =45 mm, Thickness=16.6 mm		
Luminous Flux	2211 lm	Measured @ 21.7 W	
Material	PC / UL94V2		

## cd/klm

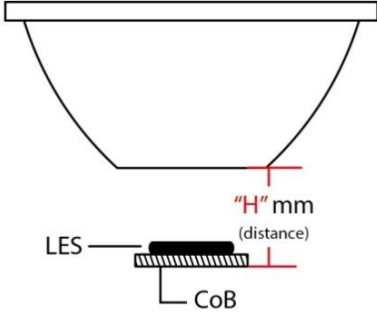


## Illuminance At Distances

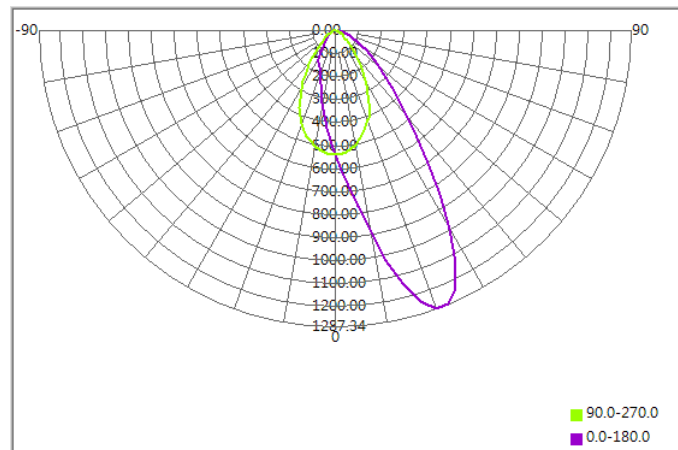




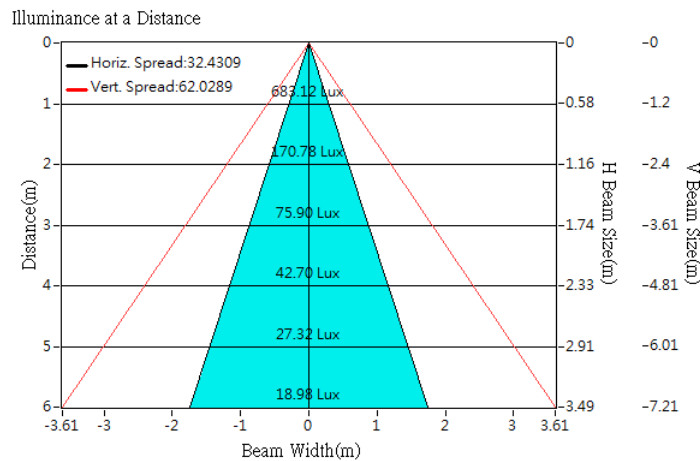
## Optical Characteristics

Part Number	CKO-CW18-045017-0521		"H" definition 
LED	<b>Fortimo SLM 1203 L09 G7N</b>		
LES / LED Size	Φ 9.8 mm		
FWHM (D50)	32°x62°		
H (distance)	2.5 mm		
Dimension	Φ =45 mm, Thickness=16.6 mm		
Luminous Flux	1266 lm	Measured @ 9.5 W	
Material	PC / UL94V2		

## cd/klm



## Illuminance At Distances

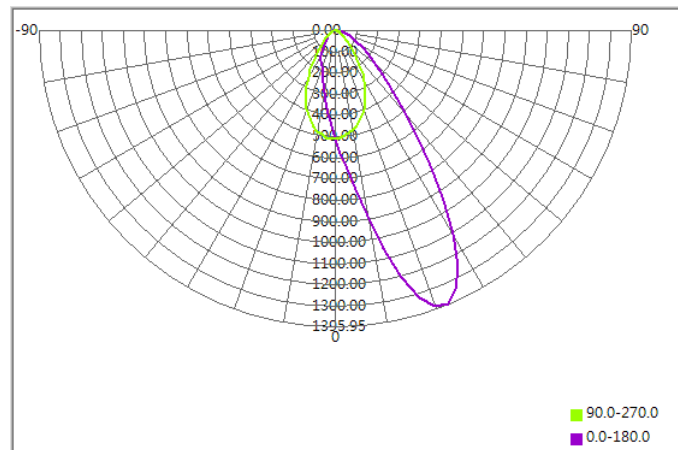




## Optical Characteristics

Part Number	CKO-CW18-045017-0521		"H" definition
LED	Fortimo SLM 1204 L09 G7N		
LES / LED Size	Φ 9.8 mm		
FWHM (D50)	32°x62°		
H (distance)	2.5 mm		
Dimension	Φ =45 mm, Thickness=16.6 mm		
Luminous Flux	1687 lm	Measured @ 12.4 W	
Material	PC / UL94V2		

## cd/klm



## Illuminance At Distances

