



Product Part Number

CKO-CW18-060021-0621

✓ Model Number Definitions

CKO-XXXX-XXXXXX-XXXX

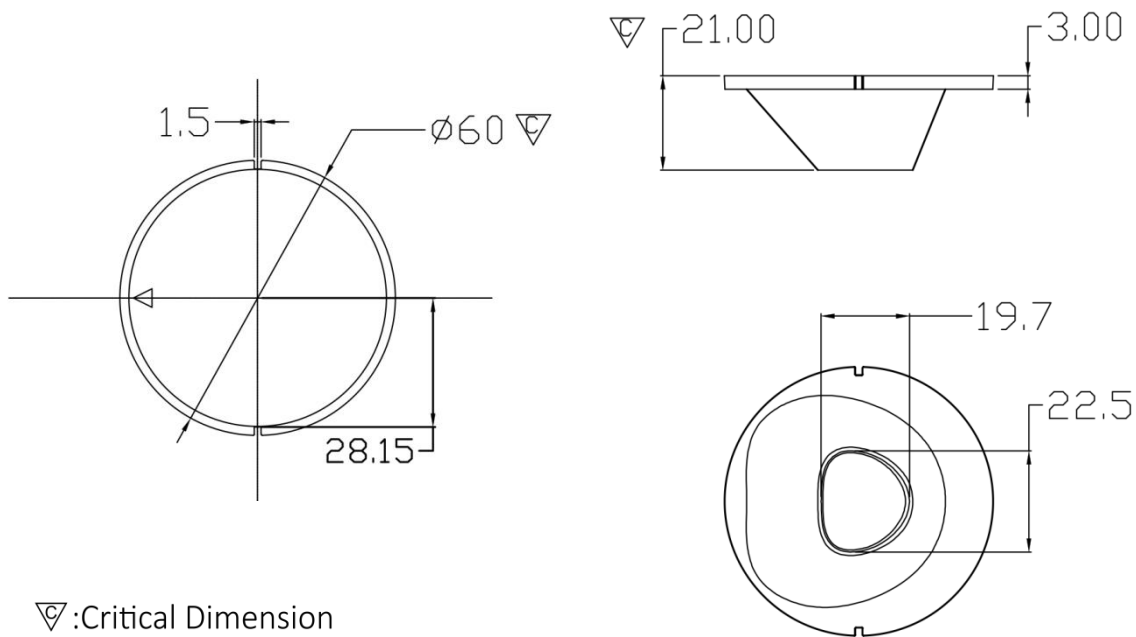


- A. Chun Kuang Optics Corp. Product
- B. Product Type: product abbreviation
Ex:
MX→Multi 33 in 1
SW→Single Wall Washer
CW→Wall Washer for CoB LED
HC→Holder for CoB LED

- C. Identity Code
- D. Lens / Fixture Size
Ex: 075026=Φ75mm / Thickness=26mm (round up)
- E. Serial Numbers

The lens datasheet is applicable for **Cree LED**, that manufactured by Chun Kuang Optics Corp.

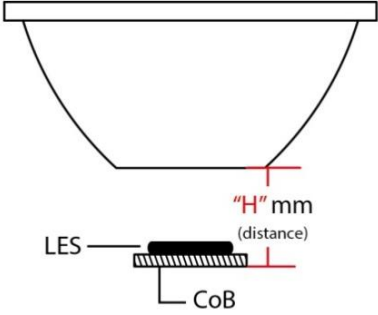
✓ Dimensions (mm) : Φ60x21



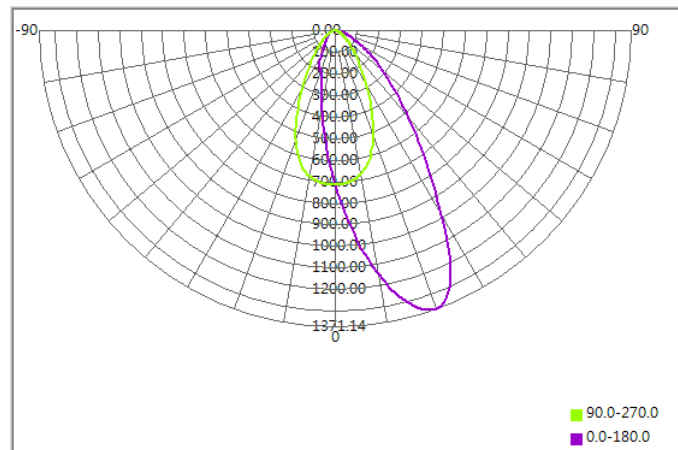
▽:Critical Dimension



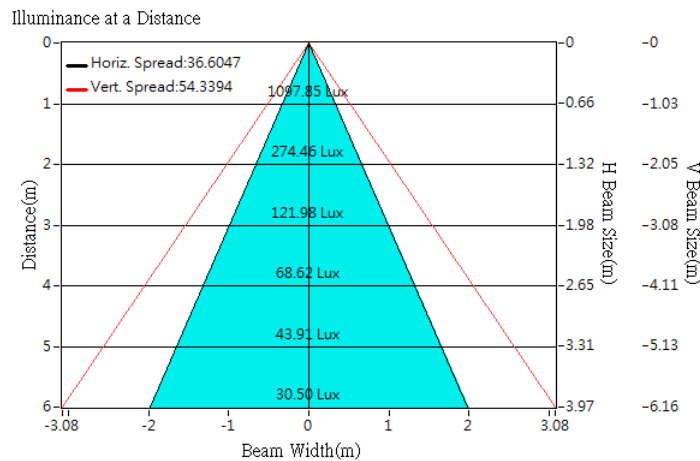
Optical Characteristics

Part Number	CKO-CW18-060021-0621		"H" definition 
LED	CXA1816		
LES / LED Size	Φ 12 mm		
FWHM (D50)	42°x71°		
H (distance)	3.65 mm		
Dimension	Φ =60 mm, Thickness=21 mm		
Luminous Flux	1540 lm	Measured @ 16.4 W	
Material	PC / UL94V2		

cd/klm



Illuminance At Distances

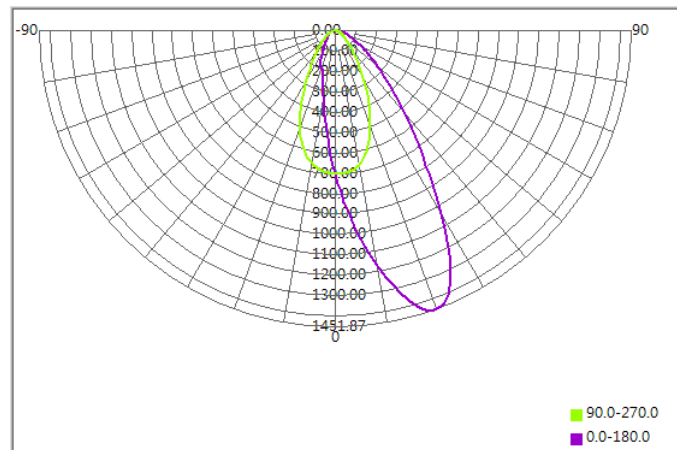




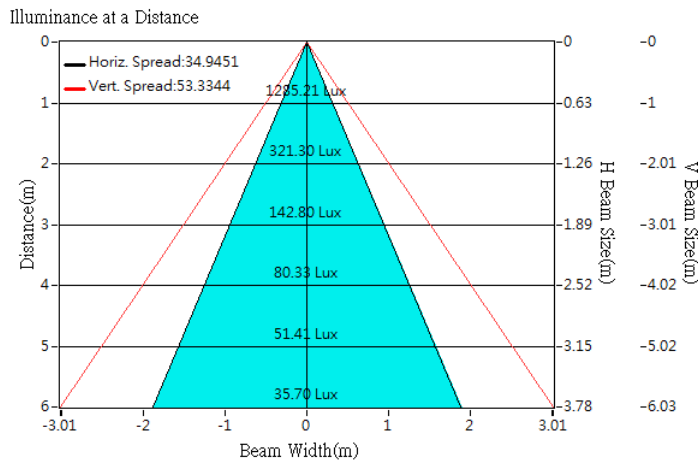
Optical Characteristics

Part Number	CKO-CW18-060021-0621		<p>"H" definition</p>
LED	CXB1816		
LES / LED Size	Φ 12 mm		
FWHM (D50)	37°x73°		
H (distance)	3.65 mm		
Dimension	Φ =60 mm, Thickness=21 mm		
Luminous Flux	1826 lm	Measured @ 15.7 W	
Material	PC / UL94V2		

cd/klm

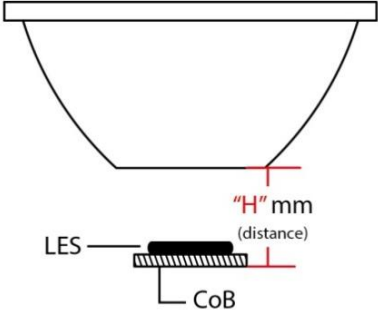


Illuminance At Distances

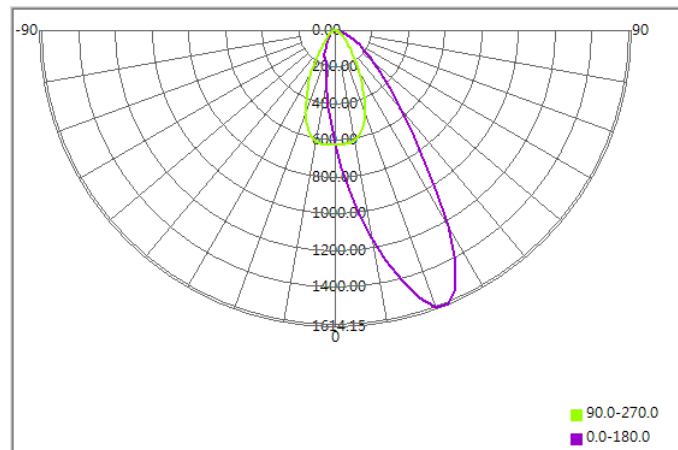




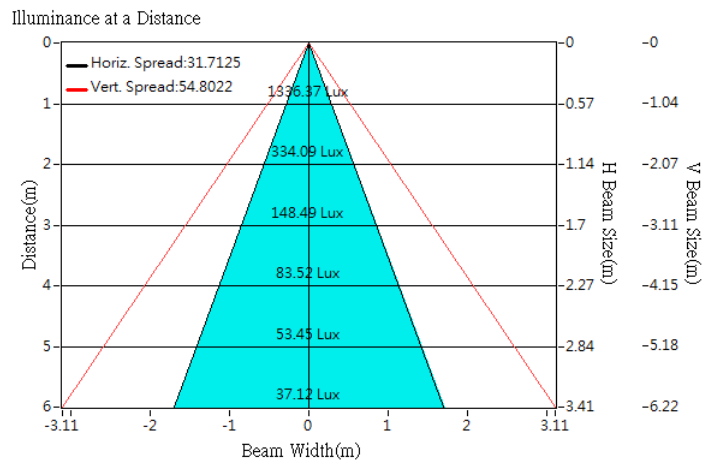
Optical Characteristics

Part Number	CKO-CW18-060021-0621		"H" definition 
LED	CXA1820		
LES / LED Size	Φ 12 mm		
FWHM (D50)	32°x55°		
H (distance)	3.65mm		
Dimension	Φ =60 mm, Thickness=21 mm		
Luminous Flux	2141 lm	Measured @ 20.4 W	
Material	PC / UL94V2		

cd/klm

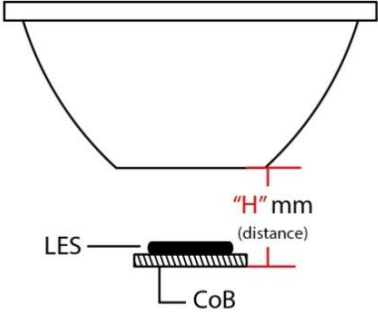


Illuminance At Distances

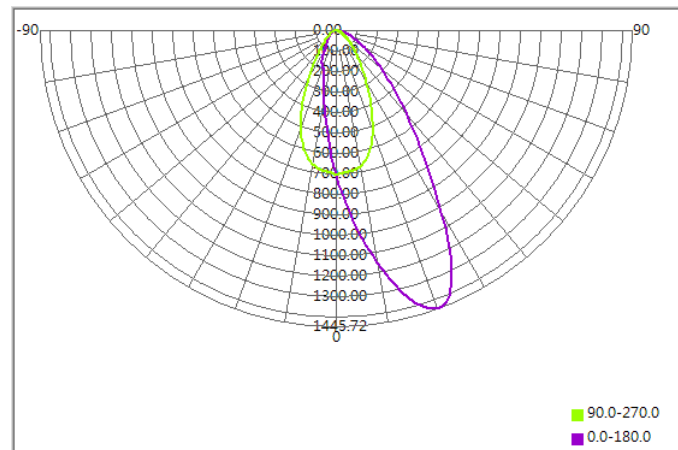




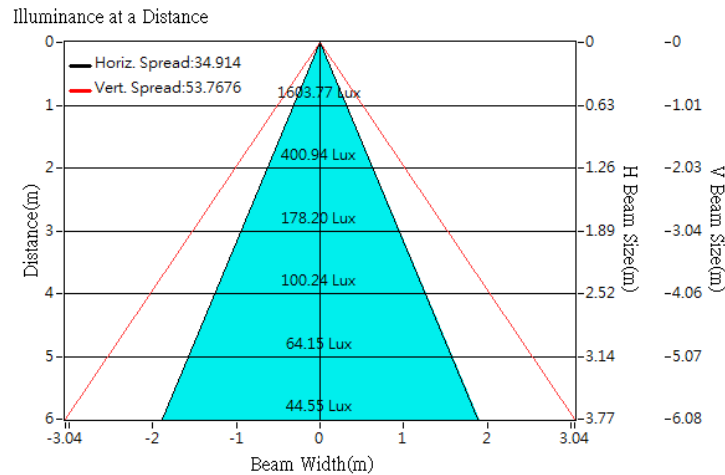
Optical Characteristics

Part Number	CKO-CW18-060021-0621		"H" definition 
LED	CXB1820		
LES / LED Size	Φ 12 mm		
FWHM (D50)	35°x54°		
H (distance)	3.65mm		
Dimension	Φ =60 mm, Thickness=21 mm		
Luminous Flux	2278.8 lm	Measured @ 19.2 W	
Material	PC / UL94V2		

cd/klm

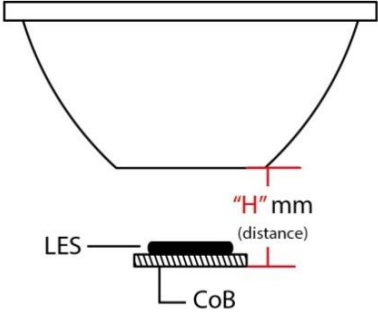


Illuminance At Distances

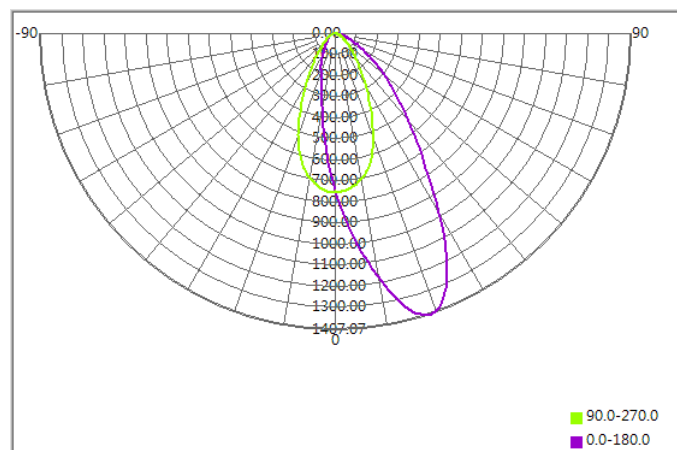




Optical Characteristics

Part Number	CKO-CW18-060021-0621		"H" definition 
LED	CMA1825		
LES / LED Size	Φ 12 mm		
FWHM (D50)	37°x51°		
H (distance)	3.65mm		
Dimension	Φ =60 mm, Thickness=21 mm		
Luminous Flux	2738 lm	Measured @ 22.3 W	
Material	PC / UL94V2		

cd/klm



Illuminance At Distances

