

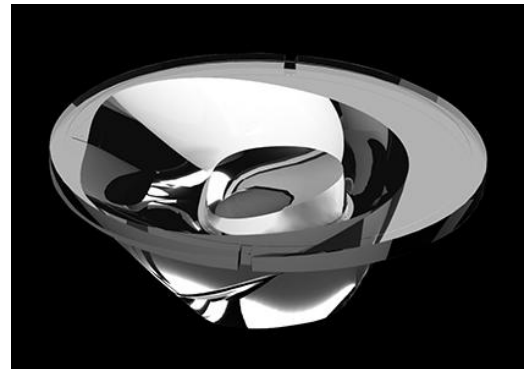


Product Part Number

CKO-CW18-060021-0621

✓ Model Number Definitions

CKO-XXXX-XXXXXX-XXXX

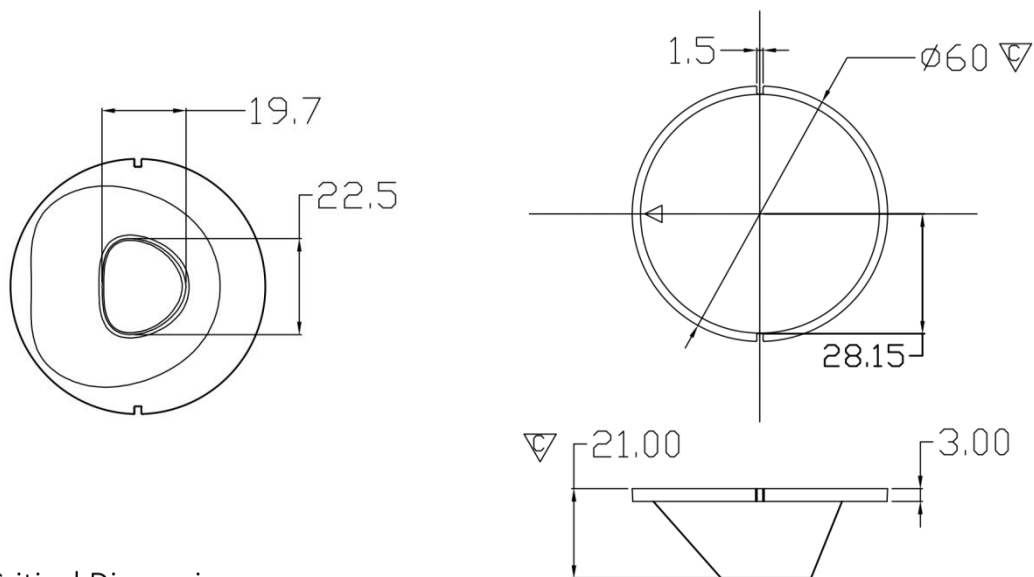


- A. Chun Kuang Optics Corp. Product
- B. Product Type: product abbreviation
Ex:
MX→Multi 33 in 1
SW→Single Wall Washer
CW→Wall Washer for CoB LED
HC→Holder for CoB LED

- C. Identity Code
- D. Lens / Fixture Size
Ex: 075026=Φ75mm / Thickness=26mm (round up)
- C. Serial Numbers

The lens datasheet is applicable for **Philips LED**, that manufactured by Chun Kuang Optics Corp.

✓ Dimensions (mm) : Φ60x21



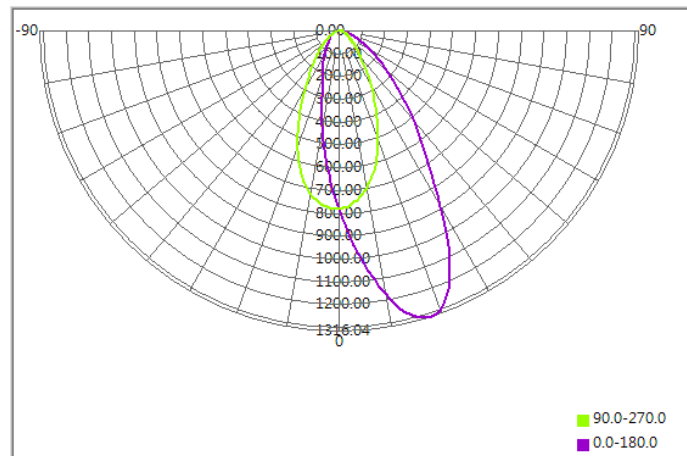
▽:Critical Dimension



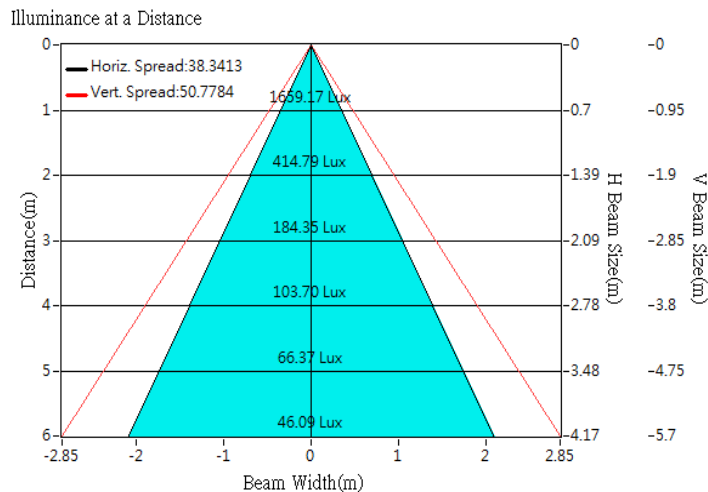
Optical Characteristics

Part Number	CKO-CW18-060021-0621		<p>"H" definition</p>
LED	Fortimo SLM 1205 L13 G7		
LES / LED Size	Φ 13 mm		
FWHM (D50)	38°x51°		
H (distance)	3.65 mm		
Dimension	Φ =60 mm, Thickness=21 mm		
Luminous Flux	2121 lm	Measured @ 17.7 W	
Material	PC / UL94V2		

cd/klm

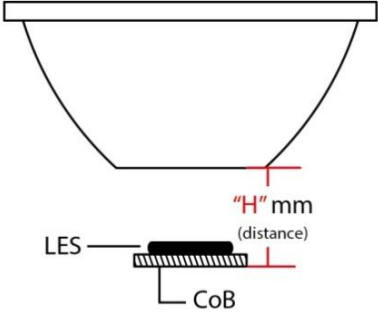


Illuminance At Distances

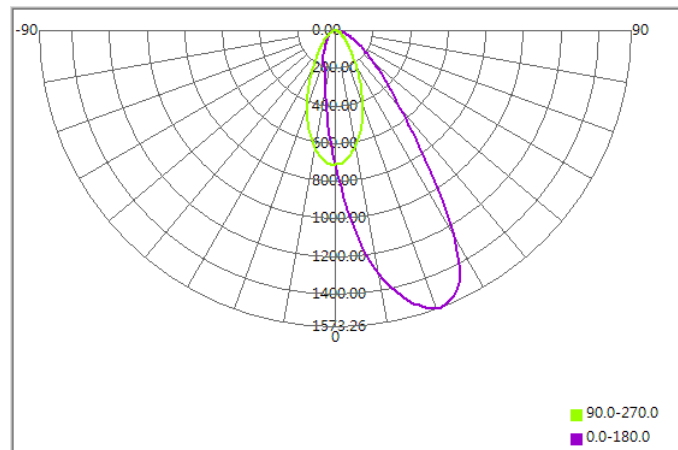




Optical Characteristics

Part Number	CKO-CW18-060021-0621		<p>"H" definition</p> 
LED	Fortimo SLM 1205 L13 G6		
LES / LED Size	Φ 13 mm		
FWHM (D50)	34°x47°		
H (distance)	3.65 mm		
Dimension	Φ =60 mm, Thickness=21 mm		
Luminous Flux	2200 lm	Measured @ 17.3 W	
Material	PC / UL94V2		

cd/klm



Illuminance At Distances

