



Product Part Number

CKO - CW18 - 060021 - 0621

✓ Model Number Definitions

CKO-XXXX-XXXXXX-XXXX

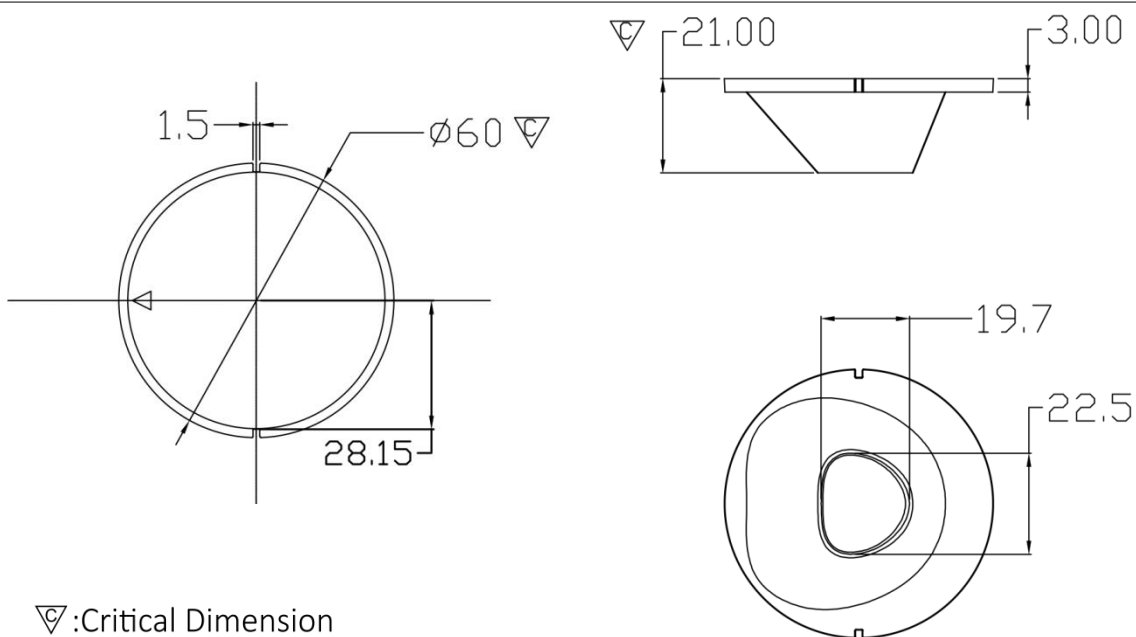


- A. Chun Kuang Optics Corp. Product
- B. Product Type: product abbreviation
Ex:
MX→Multi 33 in 1
SW→Single Wall Washer
CW→Wall Washer for CoB LED
HC→Holder for CoB LED

- C. Identity Code
- D. Lens / Fixture Size
Ex: 075026=Φ75mm / Thickness=26mm (round up)
- E. Serial Numbers

The lens datasheet is applicable for **TRIDONIC LED**, that manufactured by Chun Kuang Optics Corp.

✓ Dimensions (mm) : Φ60x21

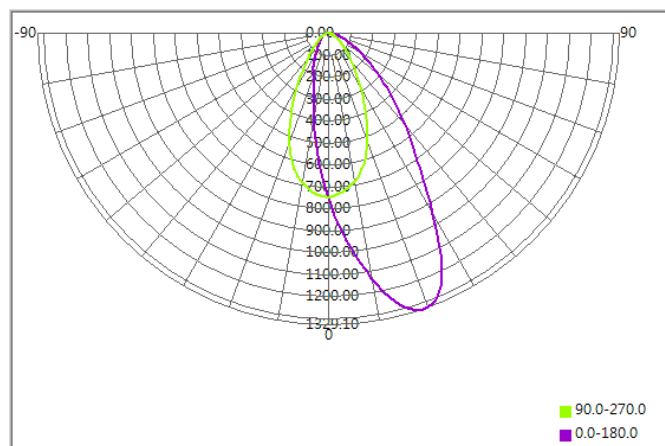




Optical Characteristics

Part Number	CKO-CW18-060021-0621		<p>"H" definition</p>
LED	SLE G7 13mm 3000lm 930 R ADV		
LES / LED Size	Φ 13 mm		
FWHM (D50)	39°x52°		
H (distance)	3.65mm		
Dimension	Φ =60 mm, Thickness=21 mm		
Luminous Flux	1904 lm	Measured @ 17.1 W	
Material	PC / UL94V2		

cd/klm



Illuminance At Distances

