

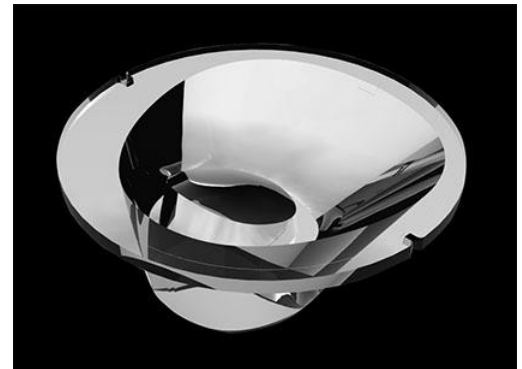


Product Part Number

CKO - CW18 - 075026 - 0341

✓ Model Number Definitions

CKO-XXXX-XXXXXX-XXXX

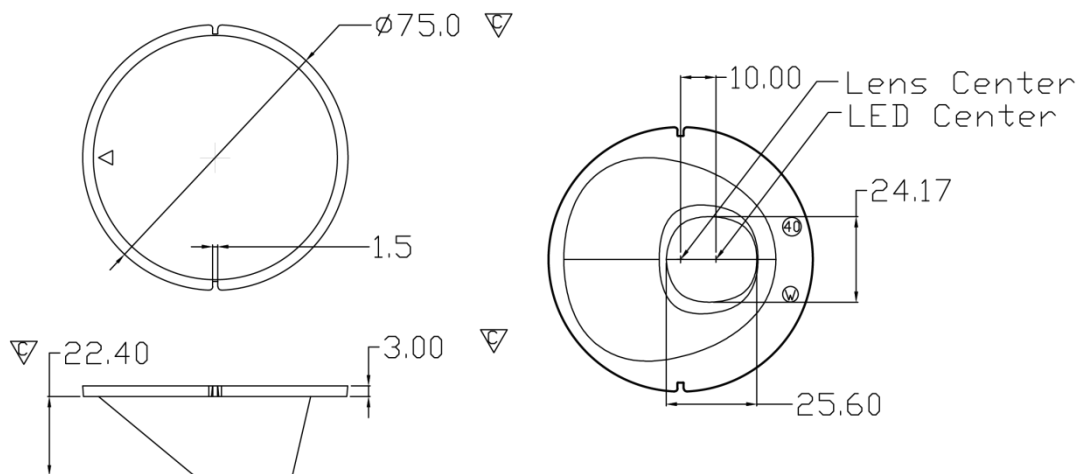


- A. Chun Kuang Optics Corp. Product
- B. Product Type: product abbreviation
Ex:
MX→Multi 33 in 1
SW→Single Wall Washer
CW→Wall Washer for CoB LED
HC→Holder for CoB LED

- C. Identity Code
- D. Lens / Fixture Size
Ex: 075026=Φ75mm / Thickness=26mm (round up)
- E. Serial Numbers

The lens datasheet is applicable for **Philips LED**, that manufactured by Chun Kuang Optics Corp.

✓ Dimensions (mm) : **Φ75x25.4**



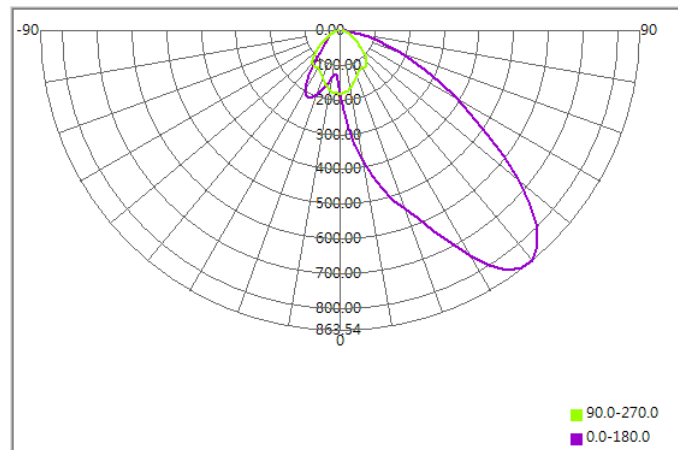
▽:Critical Dimension



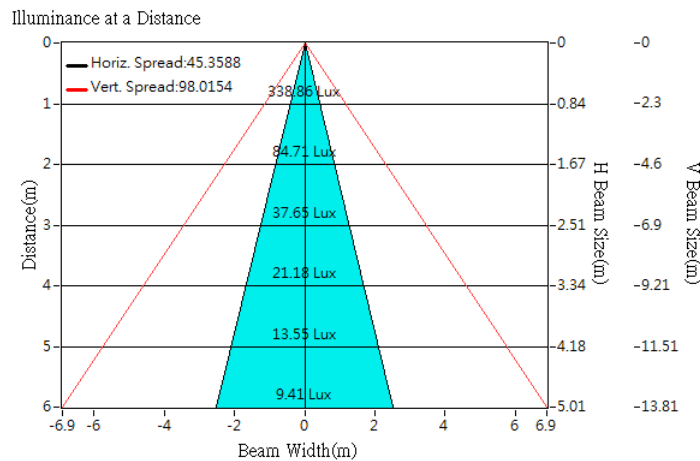
Optical Characteristics

Part Number	CKO-CW18-075026-0341		<p>"H" definition</p>
LED	Fortimo SLM 1205 L15 G7N		
LES / LED Size	Φ 14.5 mm		
FWHM (D50)	45°x98°		
H (distance)	3.65 mm		
Dimension	Φ =75 mm, Thickness=25.4 mm		
Luminous Flux	1859 lm	Measured @ 16.0 W	
Material	PC / UL94V2		

cd/klm



Illuminance At Distances

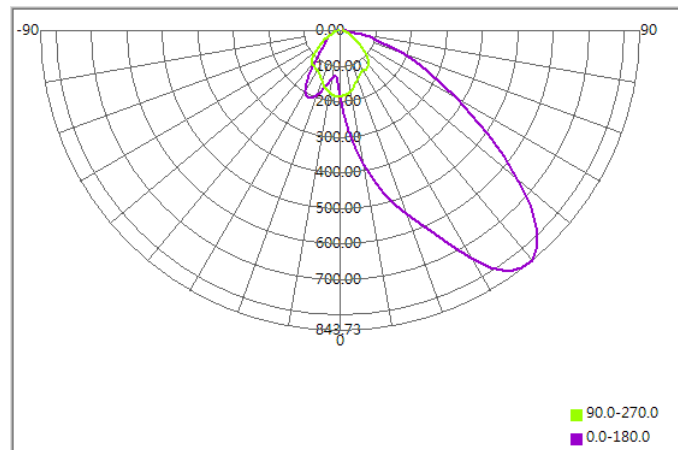




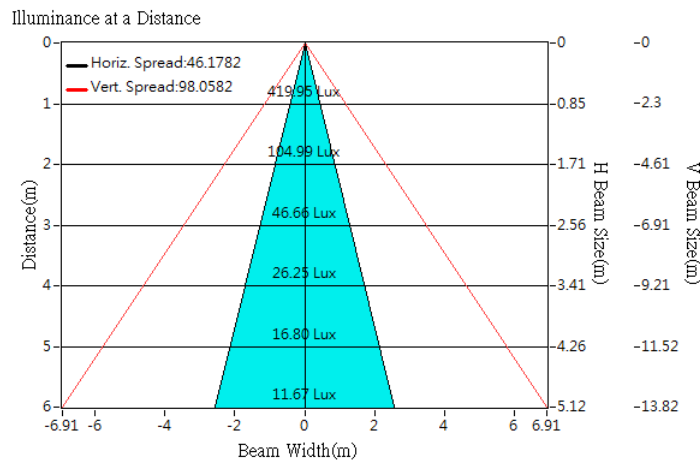
Optical Characteristics

Part Number	CKO-CW18-075026-0341		<p>"H" definition</p>
LED	Fortimo SLM 1206 L15 G7N		
LES / LED Size	Φ 14.5 mm		
FWHM (D50)	46°x98°		
H (distance)	3.65 mm		
Dimension	Φ =75 mm, Thickness=25.4 mm		
Luminous Flux	2256 lm	Measured @ 19.2 W	
Material	PC / UL94V2		

cd/klm

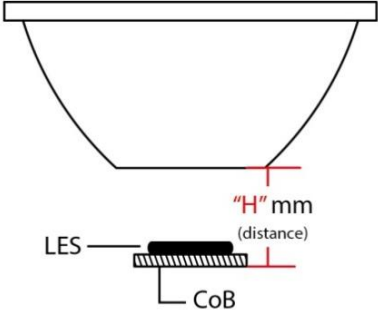


Illuminance At Distances

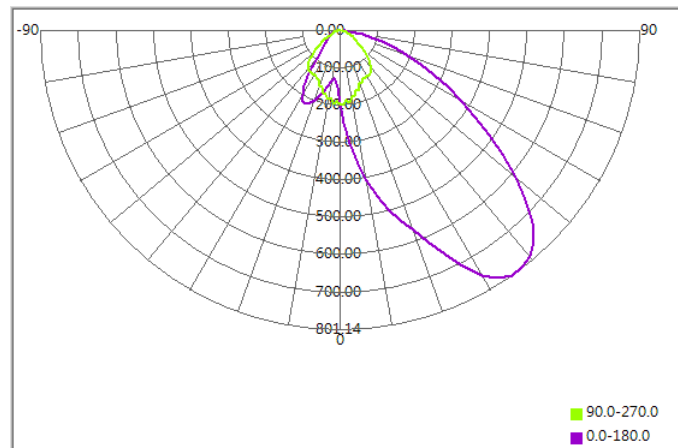




Optical Characteristics

Part Number	CKO-CW18-075026-0341		"H" definition 
LED	Fortimo SLM 1208 L15 G7		
LES / LED Size	Φ 15 mm		
FWHM (D50)	45°x99°		
H (distance)	3.65 mm		
Dimension	Φ =75 mm, Thickness=25.4 mm		
Luminous Flux	3179 lm	Measured @ 25.0 W	
Material	PC / UL94V2		

cd/klm



Illuminance At Distances

