



## Product Part Number

CKO-CW19-045017-0301

### ✓ Model Number Definitions

**CKO-XXXX-XXXXXX-XXXX**

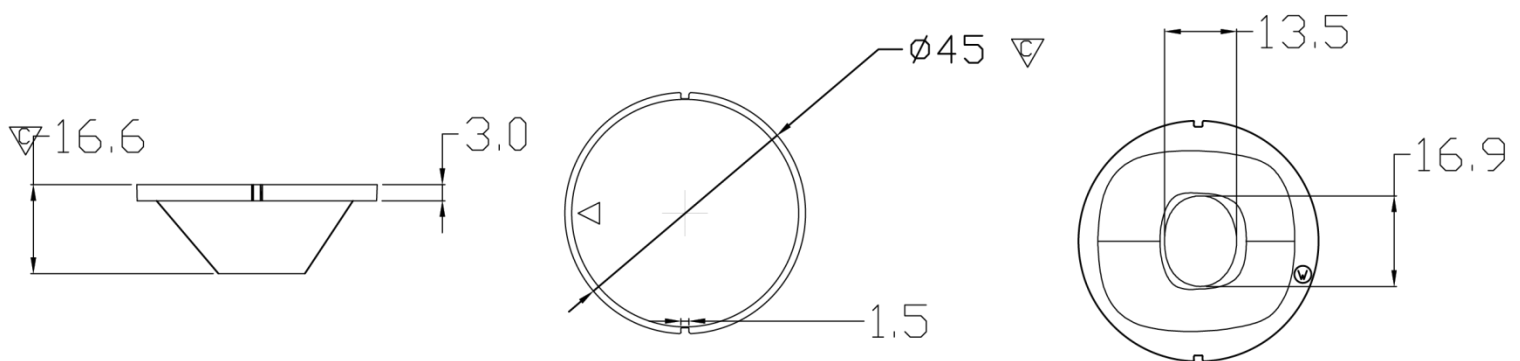


- A. Chun Kuang Optics Corp. Product
- B. Product Type: product abbreviation  
Ex:  
MX→Multi 33 in 1  
SW→Single Wall Washer  
CW→Wall Washer for CoB LED  
HC→Holder for CoB LED

- C. Identity Code
- D. Lens / Fixture Size  
Ex: 075026=Φ75mm / Thickness=26mm (round up)
- E. Serial Numbers

The lens datasheet is applicable for **Cree LED**, that manufactured by Chun Kuang Optics Corp.

### ✓ Dimensions (mm) : Φ45x16.6

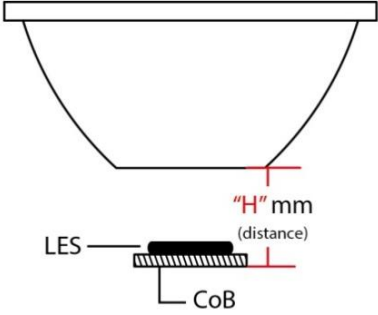


▽:Critical Dimension

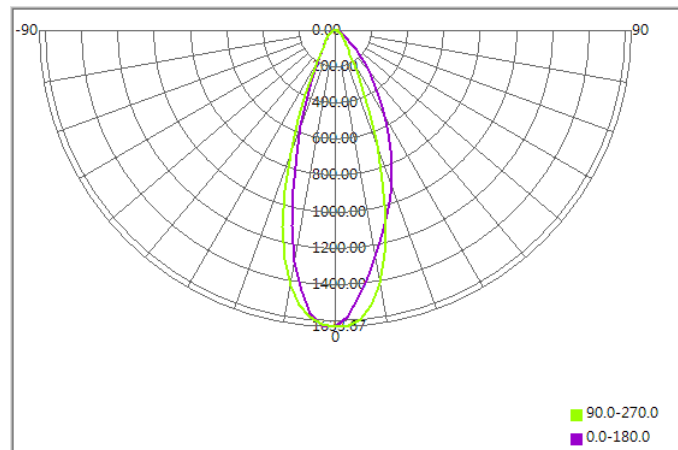




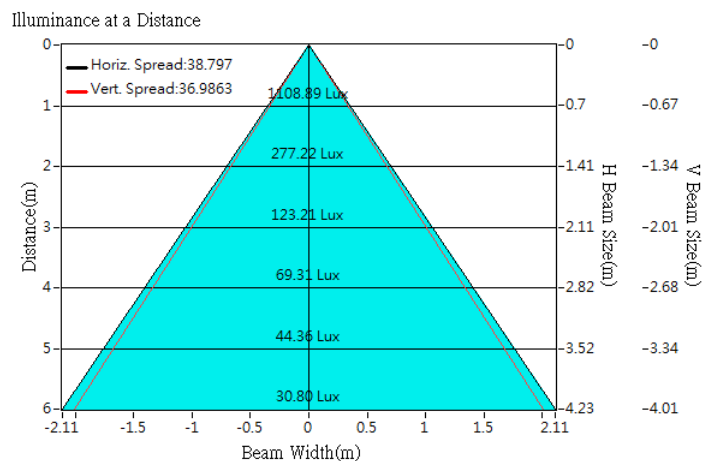
## Optical Characteristics

|                |                             |                  |  |
|----------------|-----------------------------|------------------|--|
| Part Number    | CKO-CW19-045017-0301        |                  | "H" definition<br> |
| LED            | <b>CXA1507</b>              |                  |  |
| LES / LED Size | Φ 9 mm                      |                  |  |
| FWHM (D50)     | 37°x39°                     |                  |  |
| H (distance)   | 2.5mm                       |                  |  |
| Dimension      | Φ =45 mm, Thickness=16.6 mm |                  |  |
| Luminous Flux  | 678 lm                      | Measured @ 7.6 W |  |
| Material       | PC / UL94V2                 |                  |  |

## cd/klm

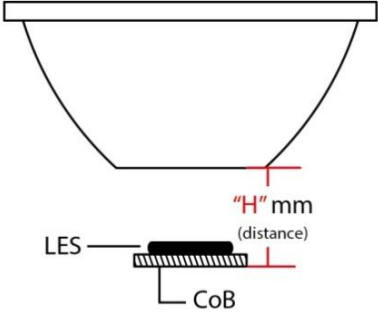


## Illuminance At Distances

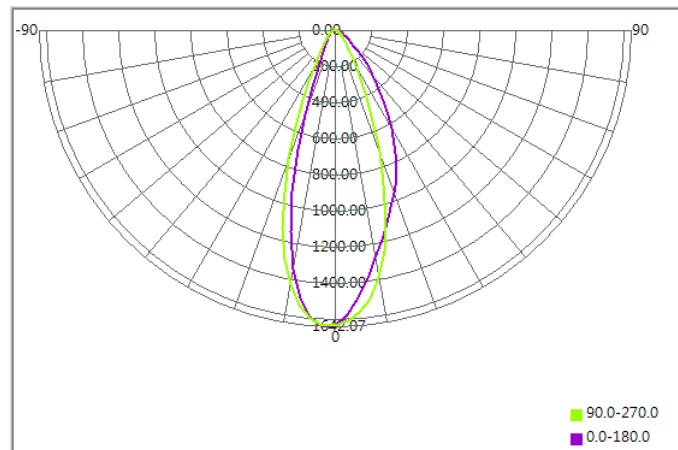




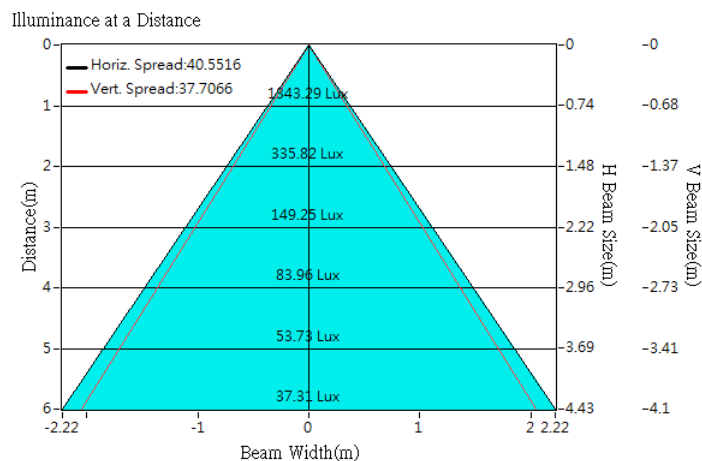
## Optical Characteristics

|                |                             |                  |  |
|----------------|-----------------------------|------------------|--|
| Part Number    | CKO-CW19-045017-0301        |                  | "H" definition<br> |
| LED            | <b>CXB 1507</b>             |                  |  |
| LES / LED Size | Φ 9 mm                      |                  |  |
| FWHM (D50)     | 38°x41°                     |                  |  |
| H (distance)   | 2.5mm                       |                  |  |
| Dimension      | Φ =45 mm, Thickness=16.6 mm |                  |  |
| Luminous Flux  | 822 lm                      | Measured @ 7.1 W |  |
| Material       | PC / UL94V2                 |                  |  |

## cd/klm

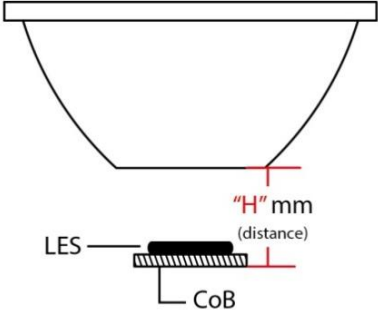


## Illuminance At Distances

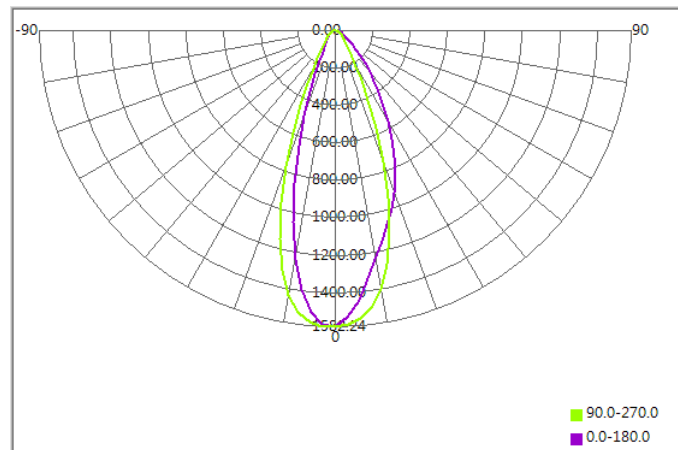




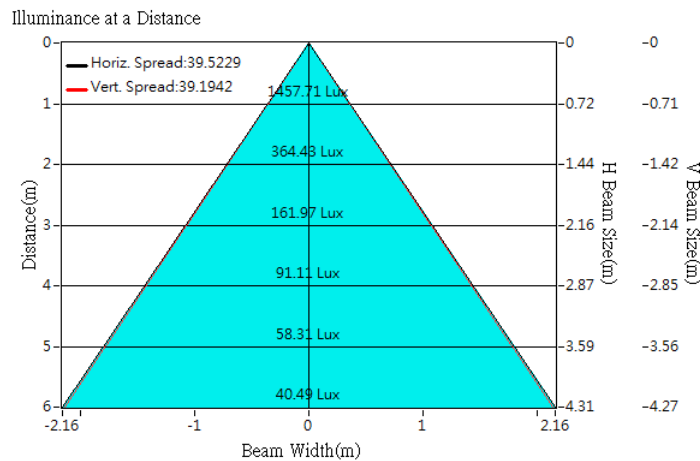
## Optical Characteristics

|                |                             |                  |  |
|----------------|-----------------------------|------------------|--|
| Part Number    | CKO-CW19-045017-0301        |                  | "H" definition<br> |
| LED            | <b>CXA1510</b>              |                  |  |
| LES / LED Size | Φ 9 mm                      |                  |  |
| FWHM (D50)     | 39°x40°                     |                  |  |
| H (distance)   | 3.65mm                      |                  |  |
| Dimension      | Φ =45 mm, Thickness=16.6 mm |                  |  |
| Luminous Flux  | 923 lm                      | Measured @ 9.1 W |  |
| Material       | PC / UL94V2                 |                  |  |

## cd/klm

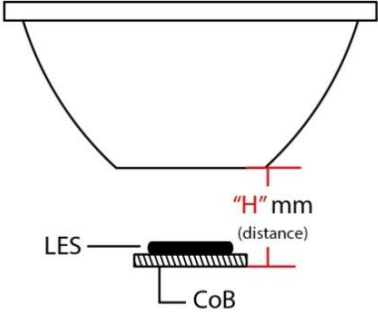


## Illuminance At Distances

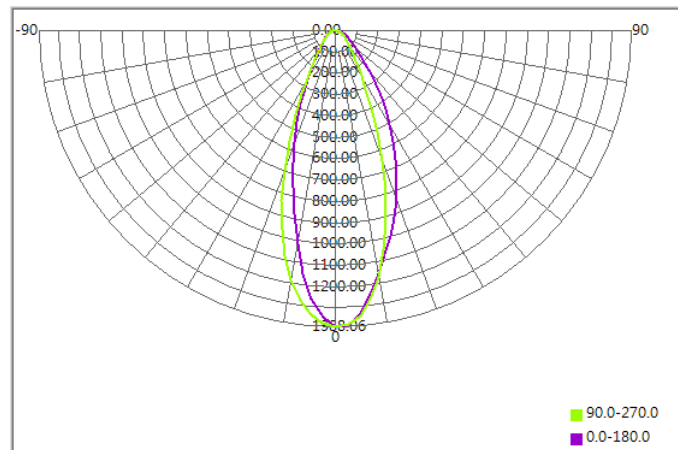




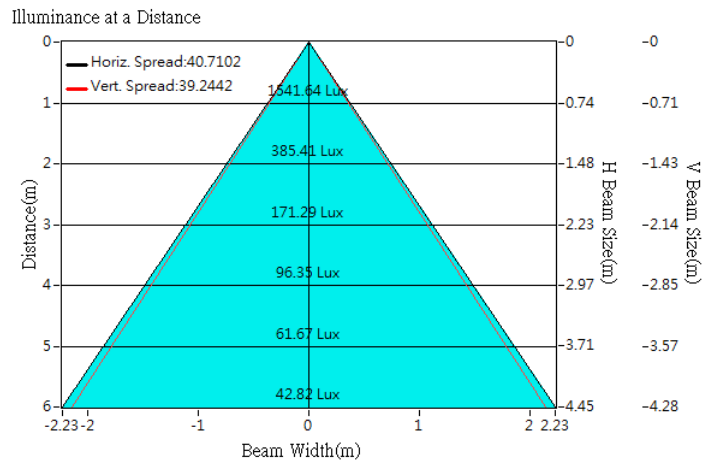
## Optical Characteristics

|                |                             |                   |  |
|----------------|-----------------------------|-------------------|--|
| Part Number    | CKO-CW19-045017-0301        |                   | "H" definition<br> |
| LED            | <b>CXA1512</b>              |                   |  |
| LES / LED Size | Φ 9 mm                      |                   |  |
| FWHM (D50)     | 39°x41°                     |                   |  |
| H (distance)   | 3.65mm                      |                   |  |
| Dimension      | Φ =45 mm, Thickness=16.6 mm |                   |  |
| Luminous Flux  | 1110 lm                     | Measured @ 14.2 W |  |
| Material       | PC / UL94V2                 |                   |  |

## cd/klm

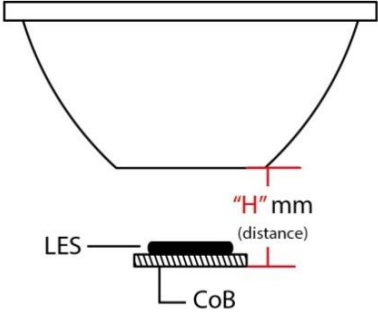


## Illuminance At Distances

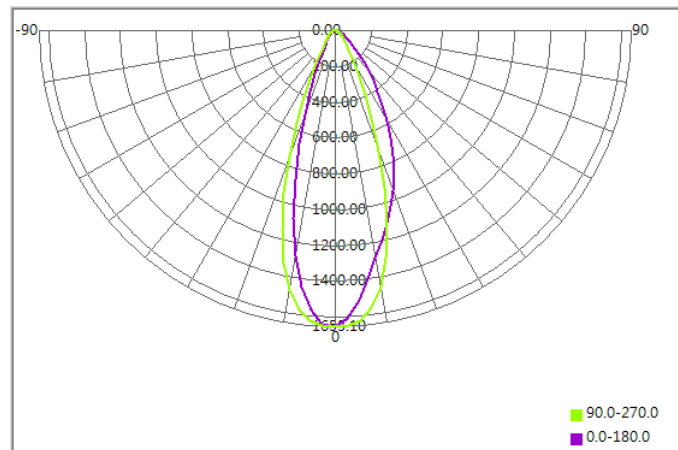




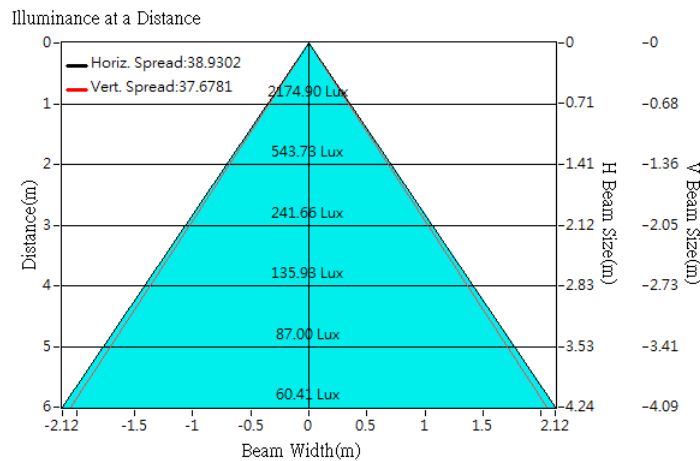
## Optical Characteristics

|                |                             |                   |  |
|----------------|-----------------------------|-------------------|--|
| Part Number    | CKO-CW19-045017-0301        |                   | "H" definition<br> |
| LED            | <b>CXB1512</b>              |                   |  |
| LES / LED Size | Φ 9 mm                      |                   |  |
| FWHM (D50)     | 38°x39°                     |                   |  |
| H (distance)   | 3.65mm                      |                   |  |
| Dimension      | Φ =45 mm, Thickness=16.6 mm |                   |  |
| Luminous Flux  | 1315 lm                     | Measured @ 12.3 W |  |
| Material       | PC / UL94V2                 |                   |  |

## cd/klm

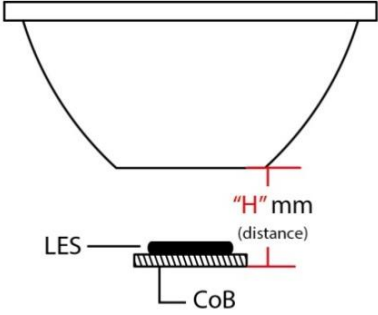


## Illuminance At Distances

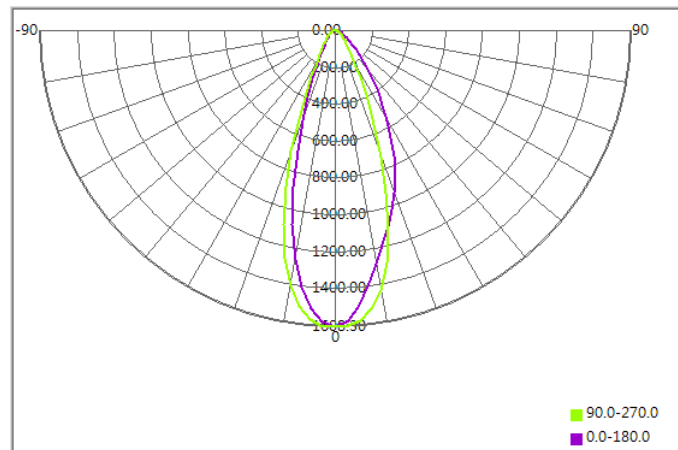




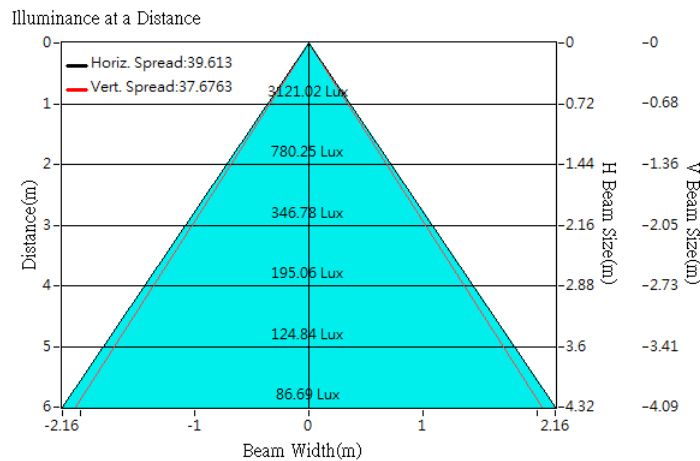
## Optical Characteristics

|                |                             |                   |  |
|----------------|-----------------------------|-------------------|--|
| Part Number    | CKO-CW19-045017-0301        |                   | "H" definition<br> |
| LED            | <b>CXB1520</b>              |                   |  |
| LES / LED Size | Φ 9 mm                      |                   |  |
| FWHM (D50)     | 38°x40°                     |                   |  |
| H (distance)   | 3.65mm                      |                   |  |
| Dimension      | Φ =45 mm, Thickness=16.6 mm |                   |  |
| Luminous Flux  | 1940 lm                     | Measured @ 17.4 W |  |
| Material       | PC / UL94V2                 |                   |  |

## cd/klm

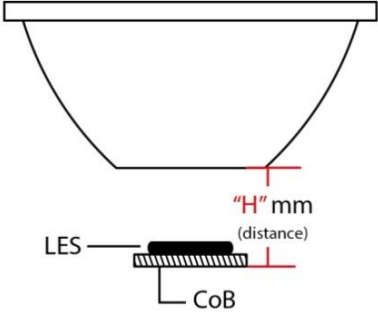


## Illuminance At Distances

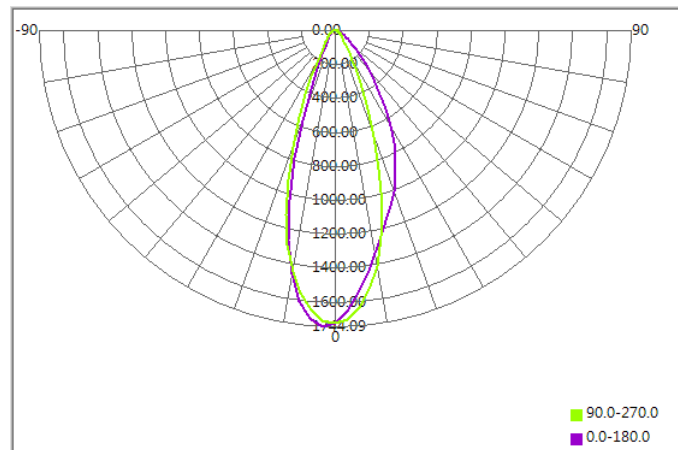




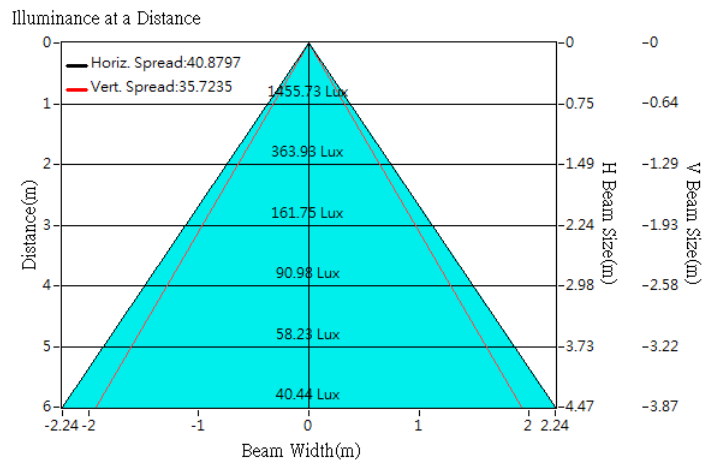
## Optical Characteristics

|                |                             |                  |  |
|----------------|-----------------------------|------------------|--|
| Part Number    | CKO-CW19-045017-0301        |                  | "H" definition<br> |
| LED            | <b>CMT1407</b>              |                  |  |
| LES / LED Size | Φ 9.8 mm                    |                  |  |
| FWHM (D50)     | 36°x41°                     |                  |  |
| H (distance)   | 3.65mm                      |                  |  |
| Dimension      | Φ =45 mm, Thickness=16.6 mm |                  |  |
| Luminous Flux  | 843 lm                      | Measured @ 7.1 W |  |
| Material       | PC / UL94V2                 |                  |  |

## cd/klm

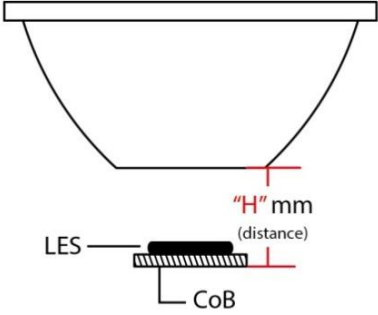


## Illuminance At Distances

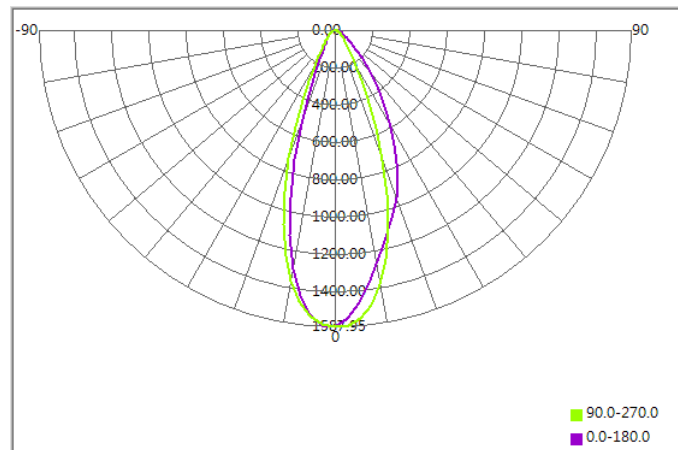




## Optical Characteristics

|                |                             |                   |  |
|----------------|-----------------------------|-------------------|--|
| Part Number    | CKO-CW19-045017-0301        |                   | "H" definition<br> |
| LED            | <b>CMT1412</b>              |                   |  |
| LES / LED Size | Φ 9.8 mm                    |                   |  |
| FWHM (D50)     | 38°x41°                     |                   |  |
| H (distance)   | 3.65mm                      |                   |  |
| Dimension      | Φ =45 mm, Thickness=16.6 mm |                   |  |
| Luminous Flux  | 1434 lm                     | Measured @ 12.6 W |  |
| Material       | PC / UL94V2                 |                   |  |

## cd/klm



## Illuminance At Distances

