



Product Model Number

CKO - M 4 1 2 - 0 3 5 0 1 1 - 1 9 0 1

✓ Model Number Definitions

CKO-XXXX-XXXXXX-XXXX

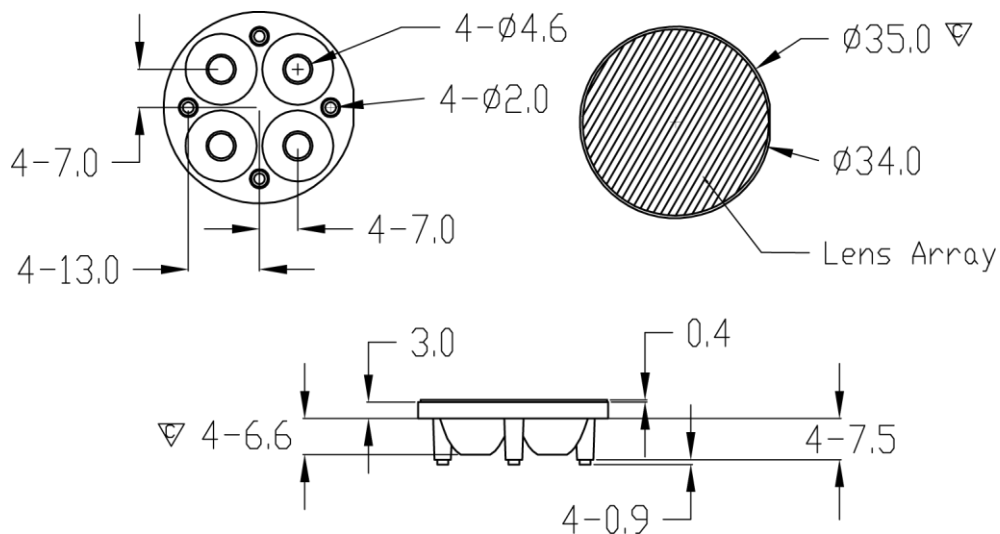


- A. Chun Kuang Optics Corp. Product
- B. Product Type: product abbreviation
Ex:
CH→CoB High Intensity
CC→CoB Compact
CS→Soft Shading for CoB LED
HC→Holder for CoB LED

- C. Identity Code
- D. Lens / Fixture Size
Ex: 075026=Φ75mm / Thickness=26mm (round up)
- C. Serial Numbers

The lens datasheet is applicable for **Osram LED**, that manufactured by Chun Kuang Optics Corp.

✓ Dimensions (mm) : Φ35 x 10.9



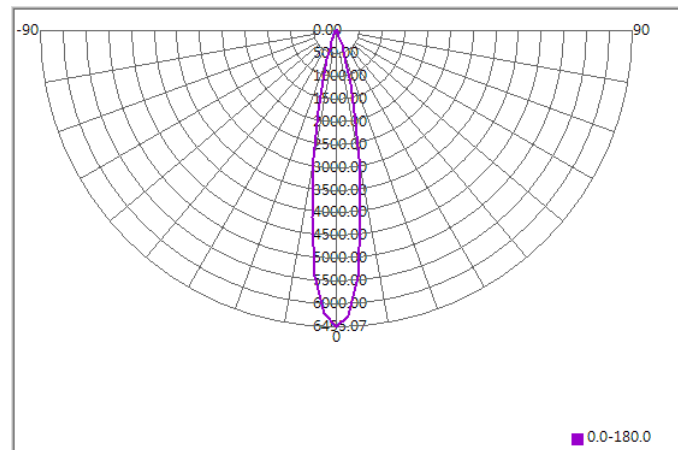
▽:Critical Dimension



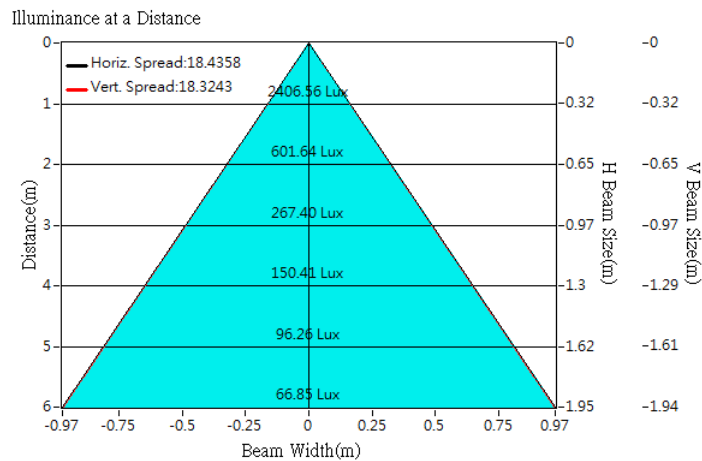
Optical Characteristics

| | | |
|-------------------|-----------------------------|------------------|
| Model Number | CKO-M412-035011-1901 | |
| LED | Duris S5 | |
| LES / LED Size | Φ 3 x 3 mm | |
| FWHM (D50) | 18° | |
| Field Angle (D10) | 36° | |
| Dimension | Φ =45 mm, Thickness=10.9 mm | |
| Luminous Flux | 370 lm | Measured @ 3.7 W |
| Material | PC / UL94V0 | |

cd/klm



Illuminance At Distances

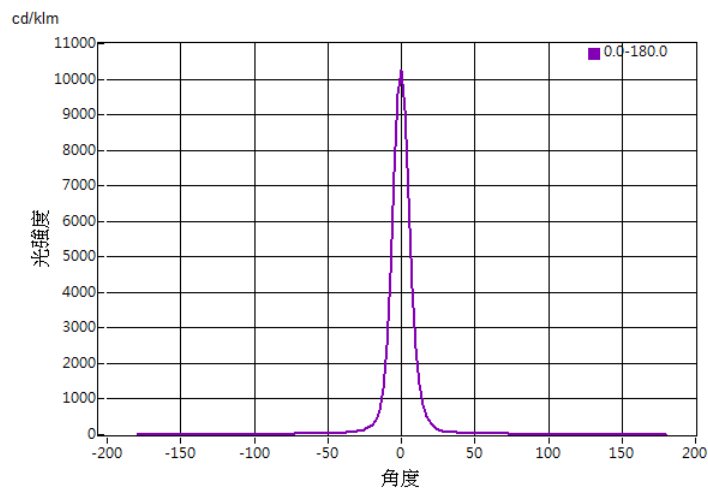




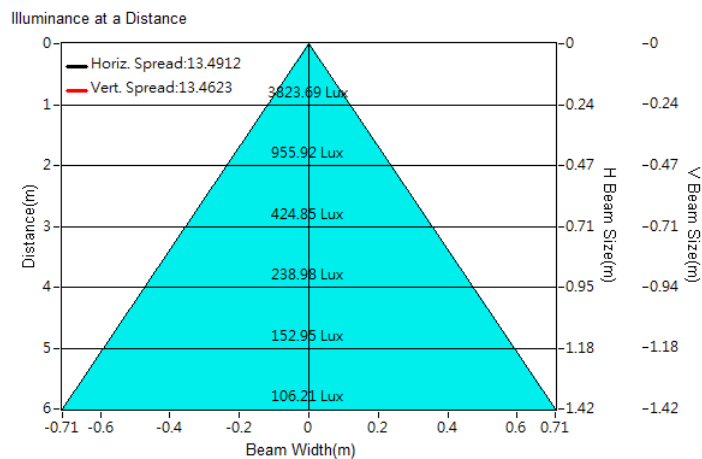
Optical Characteristics

| | | |
|-------------------|-----------------------------|------------------|
| Model Number | CKO-M412-035011-1901 | |
| LED | Oslon SSL 80 | |
| LES / LED Size | Φ 3 x 3 mm | |
| FWHM (D50) | 13° | |
| Field Angle (D10) | 28° | |
| Dimension | Φ =45 mm, Thickness=10.9 mm | |
| Luminous Flux | 372 lm | Measured @ 4.0 W |
| Material | PC / UL94V0 | |

cd/klm



Illuminance At Distances

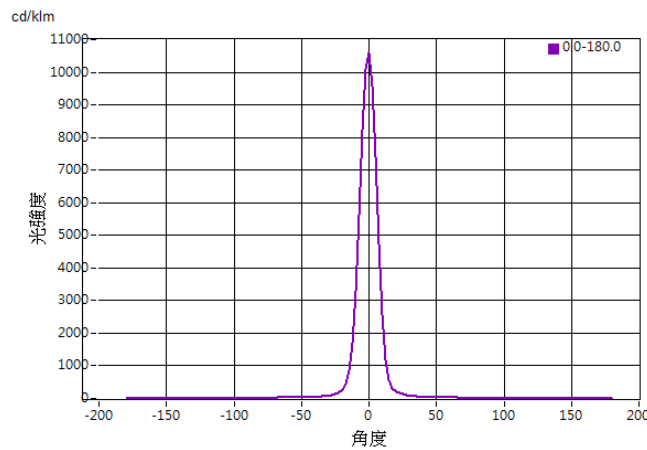




Optical Characteristics

| | | |
|-------------------|-----------------------------|------------------|
| Model Number | CKO-M412-035011-1901 | |
| LED | Oslon SSL 150 | |
| LES / LED Size | Φ 3 x 3 mm | |
| FWHM (D50) | 14° | |
| Field Angle (D10) | 27° | |
| Dimension | Φ =45 mm, Thickness=10.9 mm | |
| Luminous Flux | 366 lm | Measured @ 4.2 W |
| Material | PC / UL94V0 | |

cd/klm



Illuminance At Distances

