



## Product Model Number

CKO - M 8 1 8 - 1 2 0 0 2 0 - 1 0 2 7

### ✓ Model Number Definitions

**CKO-XXXX-XXXXXX-XXXX**

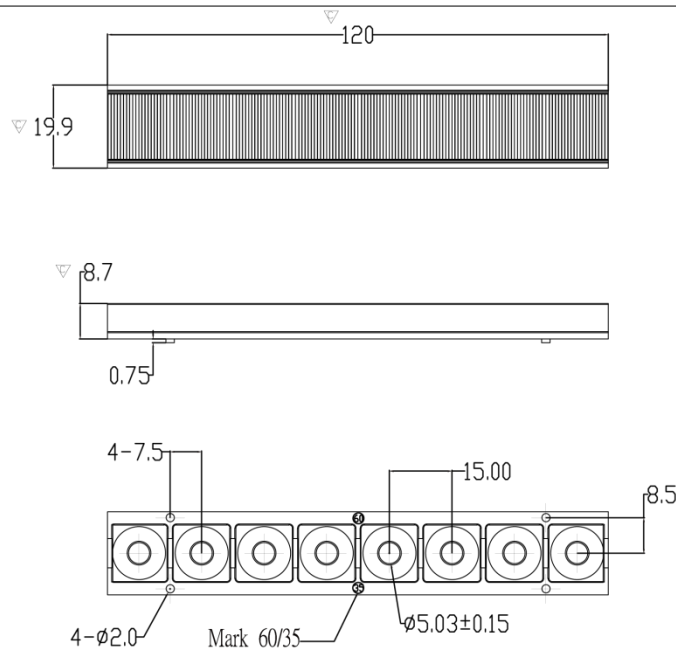


- A. Chun Kuang Optics Corp. Product
- B. Product Type: product abbreviation  
Ex:  
MX→Multi 33 in 1  
SW→Single Wall Washer  
CS→Soft Shading for CoB LED  
HC→Holder for CoB LED

- C. Identity Code
- D. Lens / Fixture Size  
Ex: 075026=Φ75mm / Thickness=26mm (round up)
- C. Serial Numbers

The lens datasheet is applicable for **Nichia** LED, that manufactured by Chun Kuang Optics Corp.

### ✓ Dimensions (mm) : 120 x 19.9 x 8.7



▽:Critical Dimension

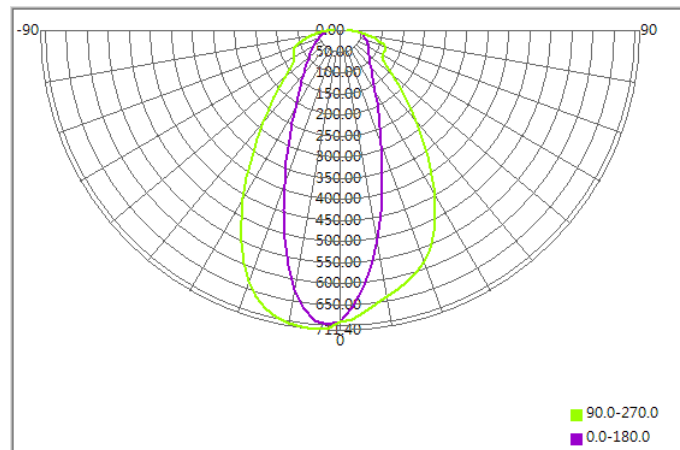




## Optical Characteristics

Model Number	CKO-M818-120020-1027	
LED	<b>757 DRT</b>	
LES / LED Size	3.0 x 3.0 mm	
FWHM (D50)	39°x 71°	
Full Angle	130°x 161°	
Dimension	wxh =120 x 19.9 mm, Thickness=8.7 mm	
Luminous Flux	480 lm	Measured @ 4.8 W
Material	PC / UL94V2	

## cd/klm



## Illuminance At Distances

