



## Product Model Number

CKO - M 9 1 2 - 0 6 0 0 1 1 - 3 6 0 1

### ✓ Model Number Definitions

**CKO-XXXX-XXXXXX-XXXX**

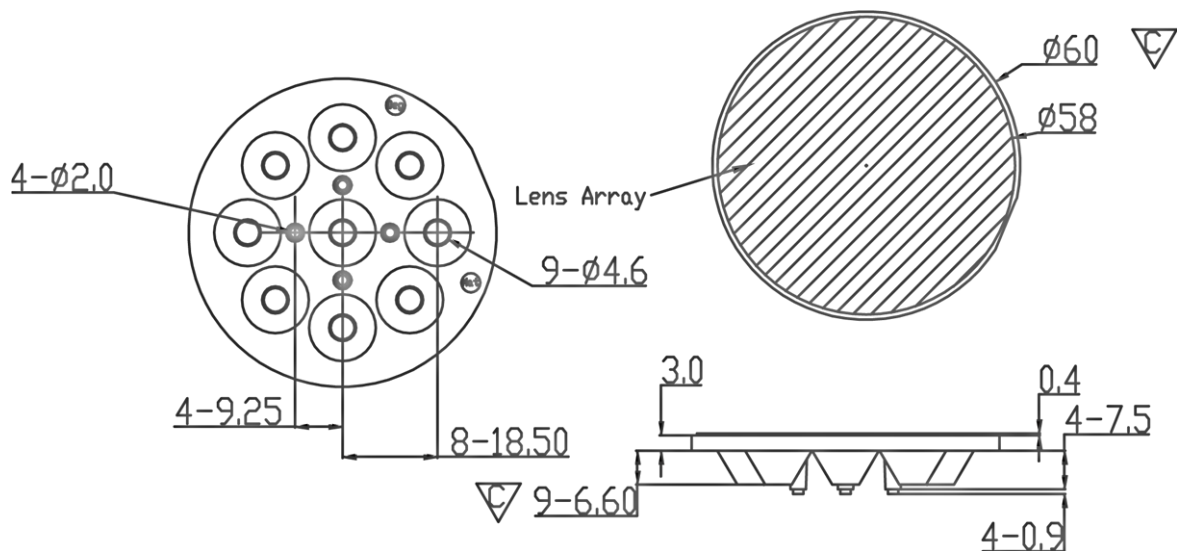


- A. Chun Kuang Optics Corp. Product
- B. Product Type: product abbreviation  
Ex:  
CH→CoB High Intensity  
CC→CoB Compact  
CS→Soft Shading for CoB LED  
HC→Holder for CoB LED

- C. Identity Code
- D. Lens / Fixture Size  
Ex: 075026=Φ75mm / Thickness=26mm (round up)
- C. Serial Numbers

The lens datasheet is applicable for **Osram LED**, that manufactured by Chun Kuang Optics Corp.

### ✓ Dimensions (mm) : Φ60 x 10.9



∇:Critical Dimension





## Optical Characteristics

Model Number	CKO-M912-060011-3601	
LED	<b>Duris S5</b>	
LES / LED Size	Φ 3 x 3 mm	
FWHM (D50)	24°	
Field Angle (D10)	47°	
Dimension	Φ =45 mm, Thickness=10.9 mm	
Luminous Flux	443 lm	Measured @ 4.5 W
Material	PC / UL94V0	

cd/klm

## Illuminance At Distances



## Optical Characteristics

Model Number	CKO-M912-060011-3601	
LED	<b>Oslon Square</b>	
LES / LED Size	Φ 3 x 3 mm	
FWHM (D50)	24°	
Field Angle (D10)	47°	
Dimension	Φ =45 mm, Thickness=10.9 mm	
Luminous Flux	456 lm	Measured @ 4.5 W
Material	PC / UL94V0	

cd/klm

## Illuminance At Distances



## Optical Characteristics

Model Number	CKO-M912-060011-3601	
LED	<b>Oslon SSL 80</b>	
LES / LED Size	Φ 3 x 3 mm	
FWHM (D50)	22°	
Field Angle (D10)	43°	
Dimension	Φ =45 mm, Thickness=10.9 mm	
Luminous Flux	460 lm	Measured @ 5.1 W
Material	PC / UL94V0	

cd/klm

## Illuminance At Distances



## Optical Characteristics

Model Number	CKO-M912-060011-3601	
LED	<b>Oslon SSL 150</b>	
LES / LED Size	Φ 3 x 3 mm	
FWHM (D50)	23°	
Field Angle (D10)	44°	
Dimension	Φ =45 mm, Thickness=10.9 mm	
Luminous Flux	464 lm	Measured @ 5.2 W
Material	PC / UL94V0	

cd/klm

## Illuminance At Distances