



Product Model Number

CKO - M 9 1 2 - 0 6 0 0 1 1 - 3 7 0 1

✓ Model Number Definitions

CKO-XXXX-XXXXXX-XXXX

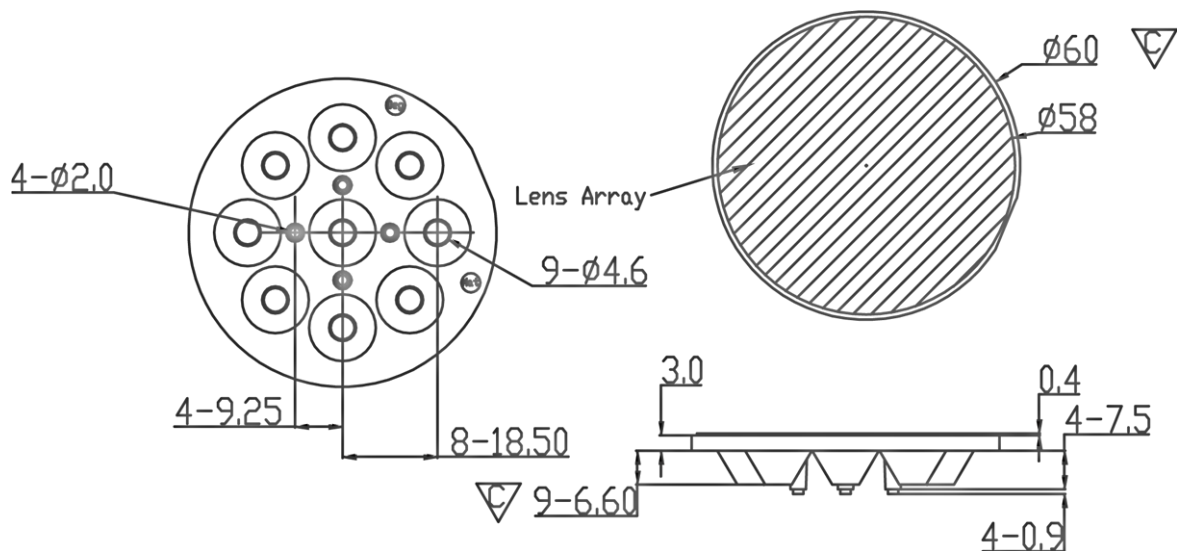


- A. Chun Kuang Optics Corp. Product
- B. Product Type: product abbreviation
Ex:
CH→CoB High Intensity
CC→CoB Compact
CS→Soft Shading for CoB LED
HC→Holder for CoB LED

- C. Identity Code
- D. Lens / Fixture Size
Ex: 075026=Φ75mm / Thickness=26mm (round up)
- C. Serial Numbers

The lens datasheet is applicable for **Cree LED**, that manufactured by Chun Kuang Optics Corp.

✓ Dimensions (mm) : Φ60 x 10.9



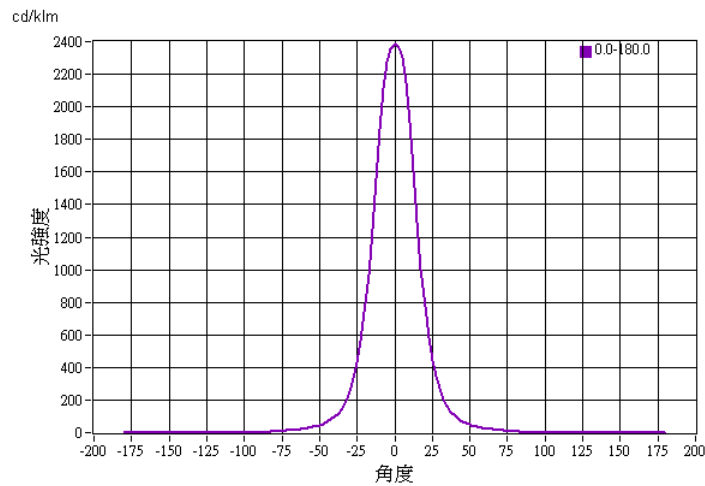
▽:Critical Dimension



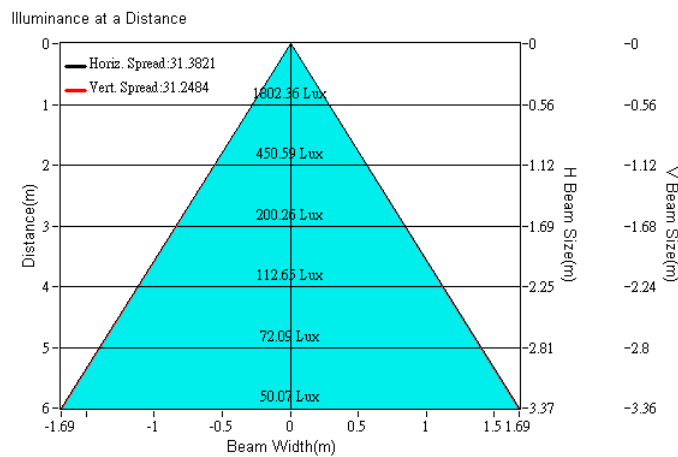
Optical Characteristics

Model Number	CKO-M912-060011-3701	
LED	XB-D	
LES / LED Size	2.5 x 2.5	
FWHM (D50)	31°	
Field Angle (D10)	63°	
Dimension	Φ =60 mm, Thickness=10.9 mm	
Luminous Flux	756 lm	Measured @ 9.2 W
Material	PC / UL94V0	

cd/klm



Illuminance At Distances

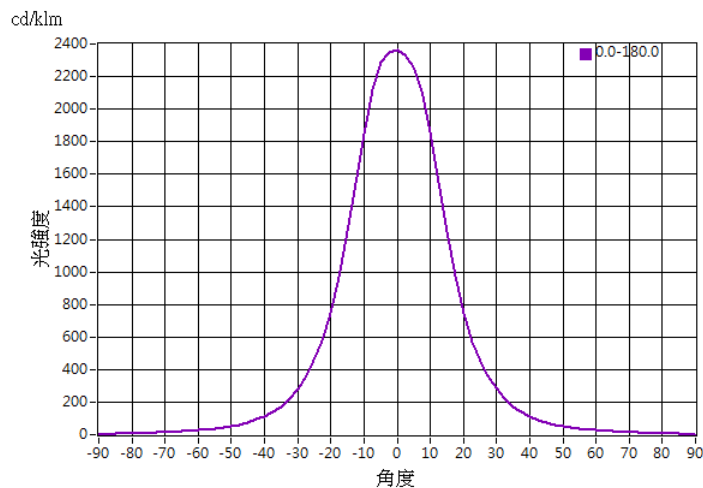




Optical Characteristics

Model Number	CKO-M912-060011-3701	
LED	XB-H	
LES / LED Size	2.5 x 2.5	
FWHM (D50)	31°	
Field Angle (D10)	64°	
Dimension	Φ =60 mm, Thickness=10.9 mm	
Luminous Flux	961 lm	Measured @ 8.6 W
Material	PC / UL94V0	

cd/klm



Illuminance At Distances

