



## Product Model Number

CKO-SA15-060027-4207

### ✓ Model Number Definitions

**CKO-XXXX-XXXXXX-XXXX**

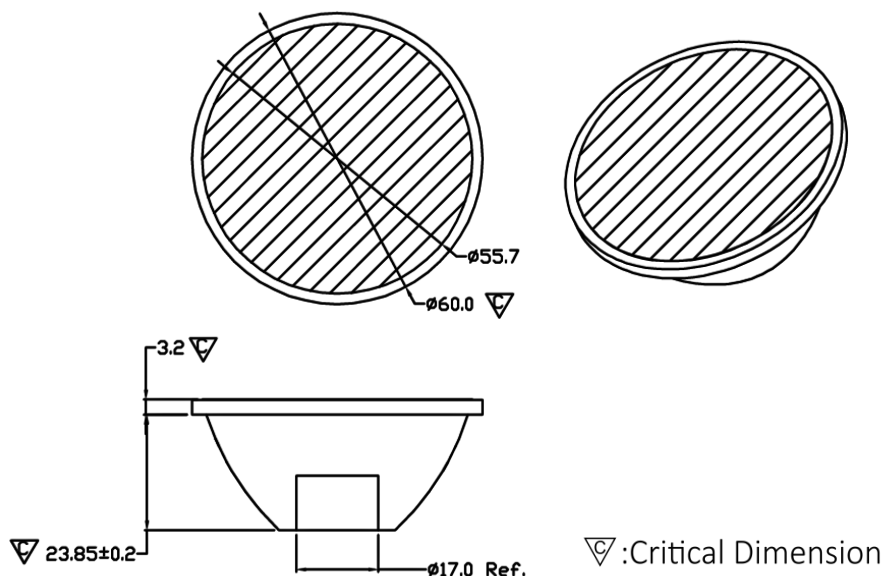


- A. Chun Kuang Optics Corp. Product
- B. Product Type: product abbreviation  
Ex:  
CH→CoB High Intensity  
CC→CoB Compact  
CS→Soft Shading for CoB LED  
HC→Holder for CoB LED

- C. Identity Code
- D. Lens / Fixture Size  
Ex: 075026=Φ75mm / Thickness=26mm (round up)
- E. Serial Numbers

The lens datasheet is applicable for **TRIDONIC LED**, that manufactured by Chun Kuang Optics Corp.

### ✓ Dimensions (mm) : Φ60 x 26.85



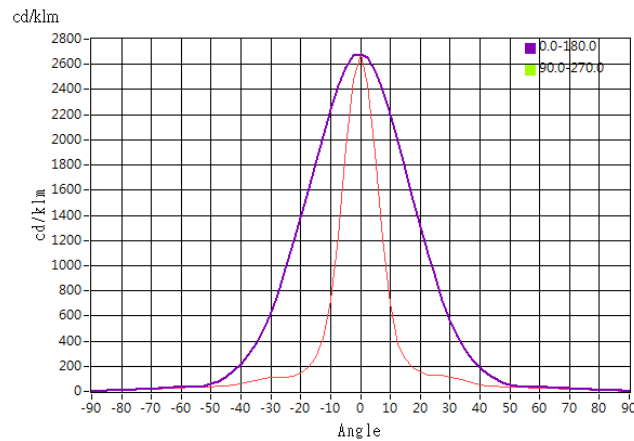




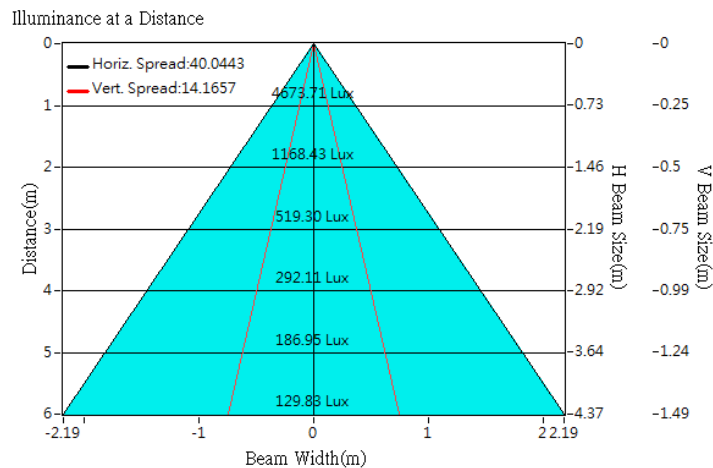
## Optical Characteristics

Model Number	CKO-SA15-060027-4207		
LED	SLE G7 09mm 1200lm 940 R ADV		
LES / LED Size	Φ 9 mm		
FWHM (D50)	14°x40°		
Field Angle (D10)	30°x75°		
H (distance)	3.65 mm		
Dimension	Φ =60 mm, Thickness=26.85 mm		
Luminous Flux	1742 lm	Measured @ 12.4 W	
Material	PC / UL94V2		

## cd/klm



## Illuminance At Distances

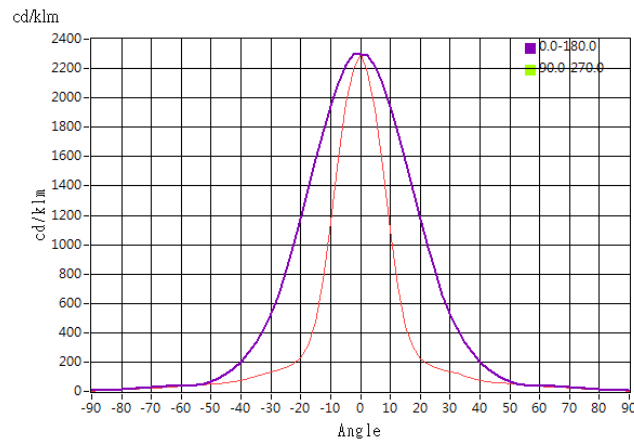




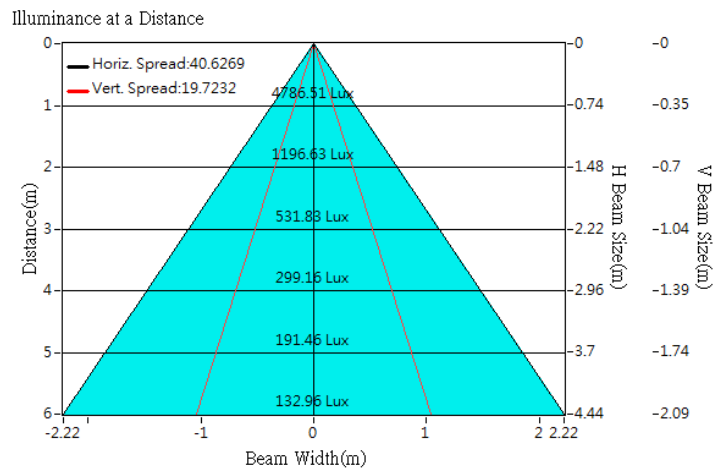
## Optical Characteristics

Model Number	CKO-SA15-060027-4207		
LED	SLE G7 13mm 3000lm 930 R ADV		
LES / LED Size	Φ 13 mm		
FWHM (D50)	19°x41°		
Field Angle (D10)	40°x78°		
H (distance)	3.65 mm		
Dimension	Φ =60 mm, Thickness=26.85 mm		
Luminous Flux	2082 lm	Measured @ 17.2 W	
Material	PC / UL94V2		

## cd/klm



## Illuminance At Distances

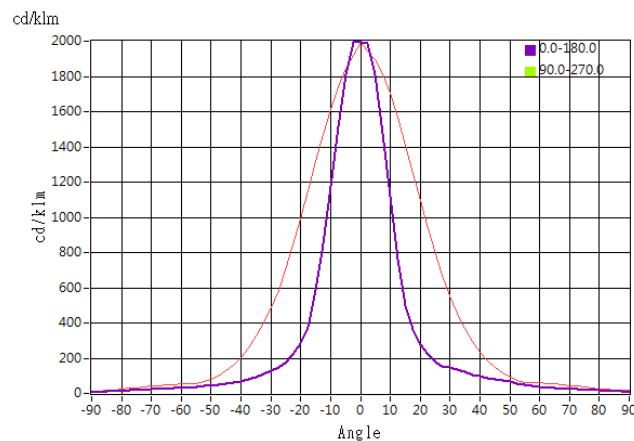




## Optical Characteristics

Model Number	CKO-SA15-060027-4207		
LED	SLE G7 15mm 4000lm 840 R ADV		
LES / LED Size	Φ 15 mm		
FWHM (D50)	22°x41°		
Field Angle (D10)	47°x82°		
H (distance)	3.5 mm		
Dimension	Φ =60 mm, Thickness=26.85 mm		
Luminous Flux	4174 lm	Measured @ 33.3 W	
Material	PC / UL94V2		

## cd/klm



## Illuminance At Distances

