



## Product Model Number

CKO-SA18-035018-1311

### ✓ Model Number Definitions

**CKO-XXXX-XXXXXX-XXXX**

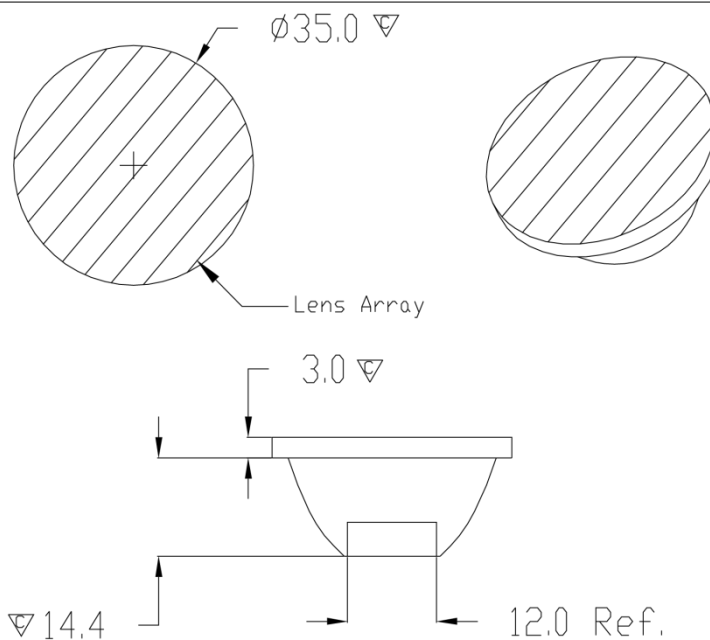


- A. Chun Kuang Optics Corp. Product
- B. Product Type: product abbreviation  
Ex:  
CH→CoB High Intensity  
CC→CoB Compact  
CS→Soft Shading for CoB LED  
HC→Holder for CoB LED

- C. Identity Code
- D. Lens / Fixture Size  
Ex: 075026=Φ75mm / Thickness=26mm (round up)
- C. Serial Numbers

The lens datasheet is applicable for **Luminus LED**, that manufactured by Chun Kuang Optics Corp.

### ✓ Dimensions (mm) : Φ35 x 17.4



▽:Critical Dimension

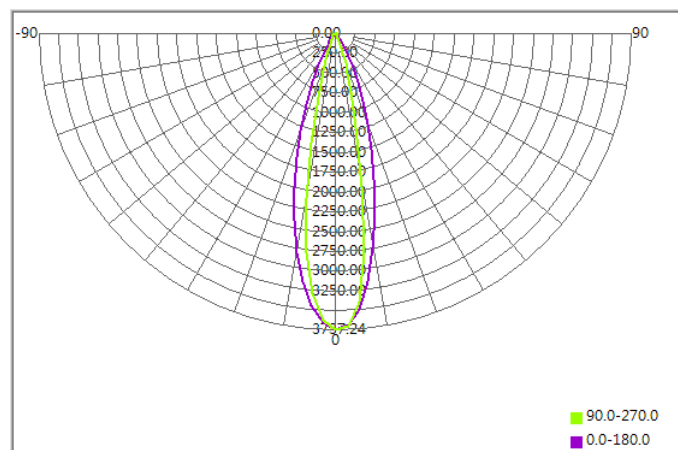




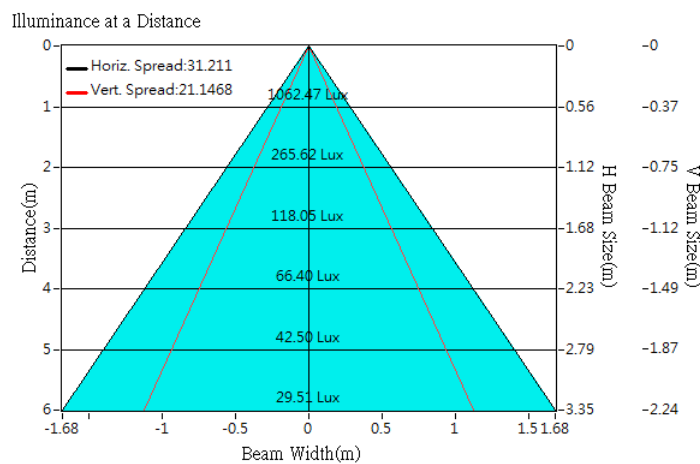
## Optical Characteristics

Model Number	CKO-SA18-035018-1311		<p>"H" definition</p> <p>LES CoB</p>
LED	<b>CXM-3-AC40</b>		
LES / LED Size	Φ 3.5 mm		
FWHM (D50)	21°x31°		
Field Angle (D10)	40°x58°		
H (distance)	2.5 mm		
Dimension	Φ =35 mm, Thickness= 17.4 mm		
Luminous Flux	284 lm	Measured @ 2.7 W	
Material	PC / UL94V2		

## cd/klm



## Illuminance At Distances

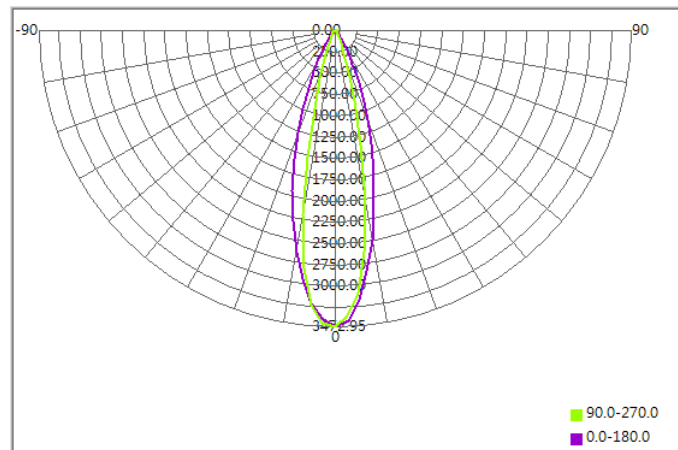




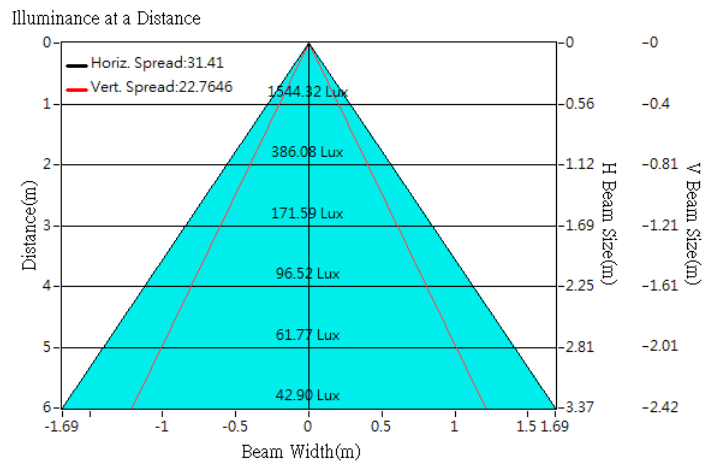
## Optical Characteristics

Model Number	CKO-SA18-035018-1311		<p>"H" definition</p>
LED	<b>CXM-4-AC40</b>		
LES / LED Size	Φ 4.5 mm		
FWHM (D50)	23°x31°		
Field Angle (D10)	42°x60°		
H (distance)	2.5 mm		
Dimension	Φ =35 mm, Thickness= 17.4 mm		
Luminous Flux	444 lm	Measured @ 4.0 W	
Material	PC / UL94V2		

## cd/klm



## Illuminance At Distances

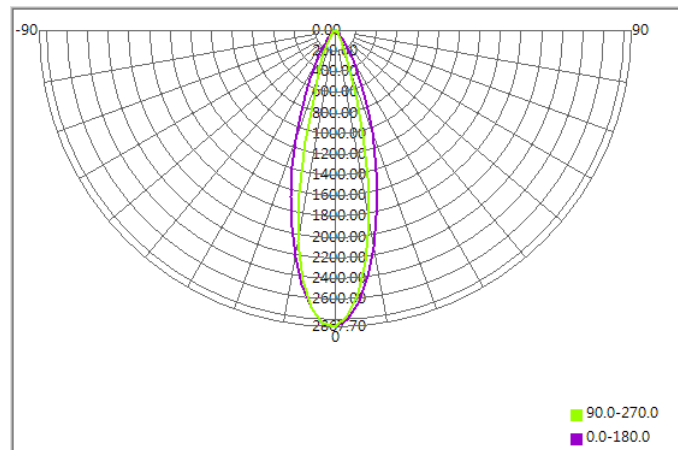




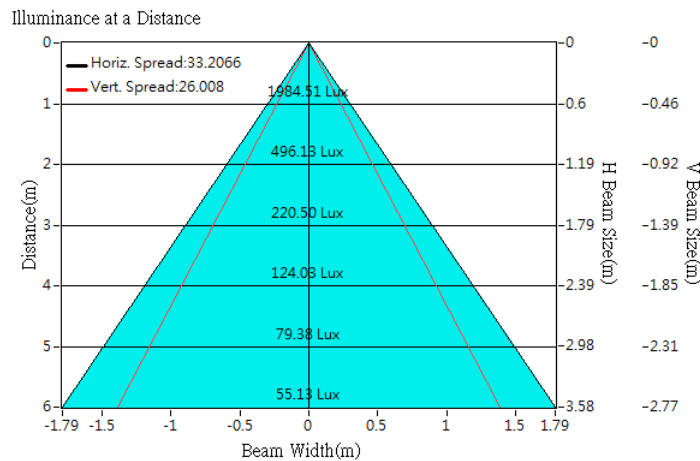
## Optical Characteristics

Model Number	CKO-SA18-035018-1311		<p>"H" definition</p> <p>LES CoB</p>
LED	<b>CXM-6-AC40</b>		
LES / LED Size	Φ 6.3 mm		
FWHM (D50)	26°x33°		
Field Angle (D10)	49°x65°		
H (distance)	2.5 mm		
Dimension	Φ =35 mm, Thickness= 17.4 mm		
Luminous Flux	692 lm	Measured @ 5.2 W	
Material	PC / UL94V2		

## cd/klm



## Illuminance At Distances

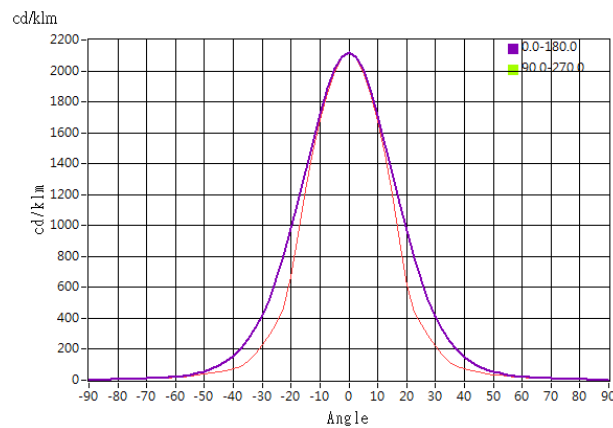




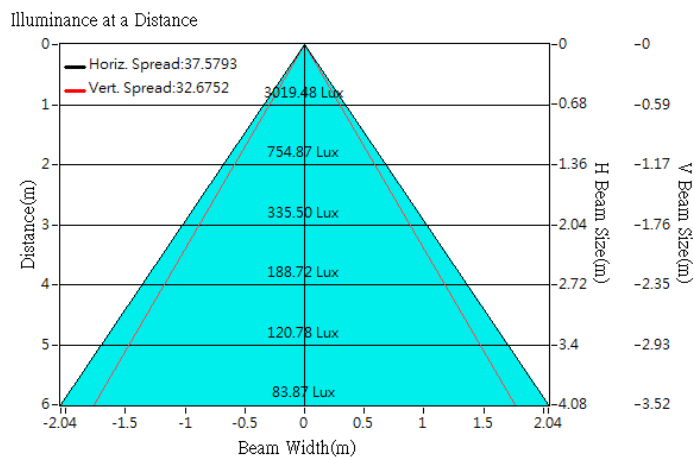
## Optical Characteristics

Model Number	CKO-SA18-035018-1311		<p>"H" definition</p>
LED	<b>CXM-9-AC30</b>		
LES / LED Size	Φ 9.6 mm		
FWHM (D50)	33°x38°		
Field Angle (D10)	61°x74°		
H (distance)	2.5 mm		
Dimension	Φ =35 mm, Thickness= 17.4 mm		
Luminous Flux	1425 lm	Measured @ 12.1 W	
Material	PC / UL94V2		

## cd/klm



## Illuminance At Distances

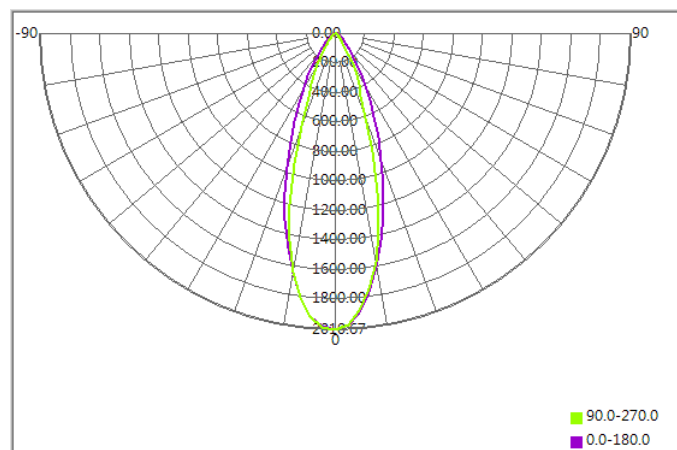




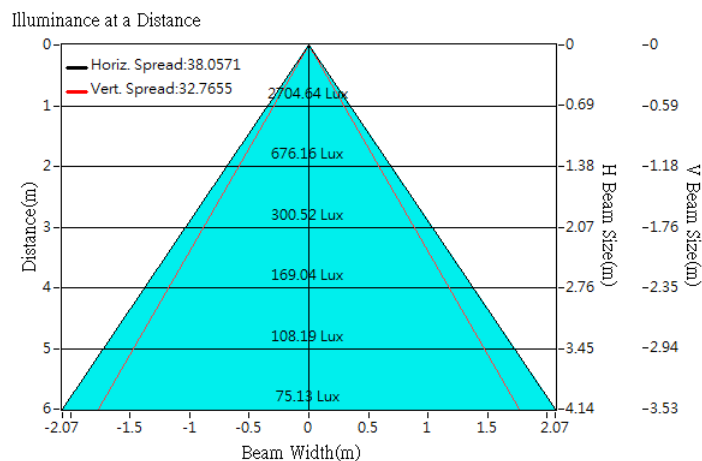
## Optical Characteristics

Model Number	CKO-SA18-035018-1311		<p>"H" definition</p>
LED	<b>CXM-9-AC40</b>		
LES / LED Size	Φ 9.8 mm		
FWHM (D50)	33°x38°		
Field Angle (D10)	63°x76°		
H (distance)	2.5 mm		
Dimension	Φ =35 mm, Thickness= 17.4 mm		
Luminous Flux	1345 lm	Measured @ 12.4 W	
Material	PC / UL94V2		

## cd/klm

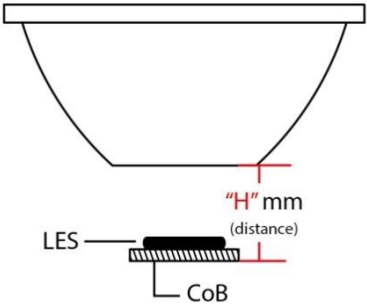


## Illuminance At Distances

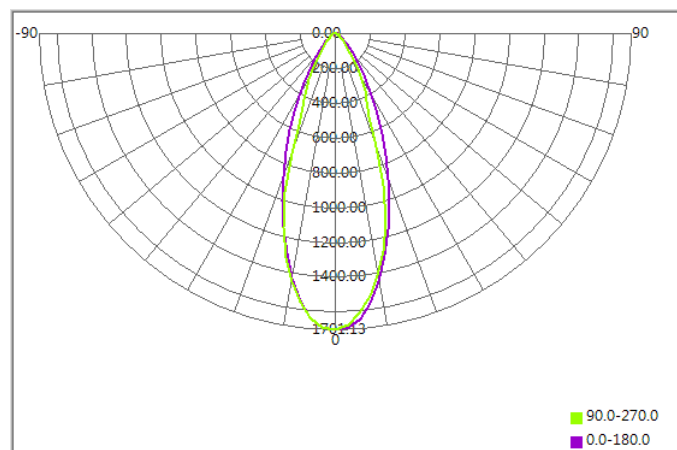




## Optical Characteristics

Model Number	CKO-SA18-035018-1311		<p>"H" definition</p> 
LED	<b>CXM-11-AC30</b>		
LES / LED Size	Φ 11.7 mm		
FWHM (D50)	37°x41°		
Field Angle (D10)	71°x81°		
H (distance)	2.5 mm		
Dimension	Φ =35 mm, Thickness= 17.4 mm		
Luminous Flux	1729 lm	Measured @ 15.0 W	
Material	PC / UL94V2		

## cd/klm



## Illuminance At Distances

