



Product Model Number

CKO-SP16-048025-2801

✓ Model Number Definitions

CKO-XXXX-XXXXXX-XXXX

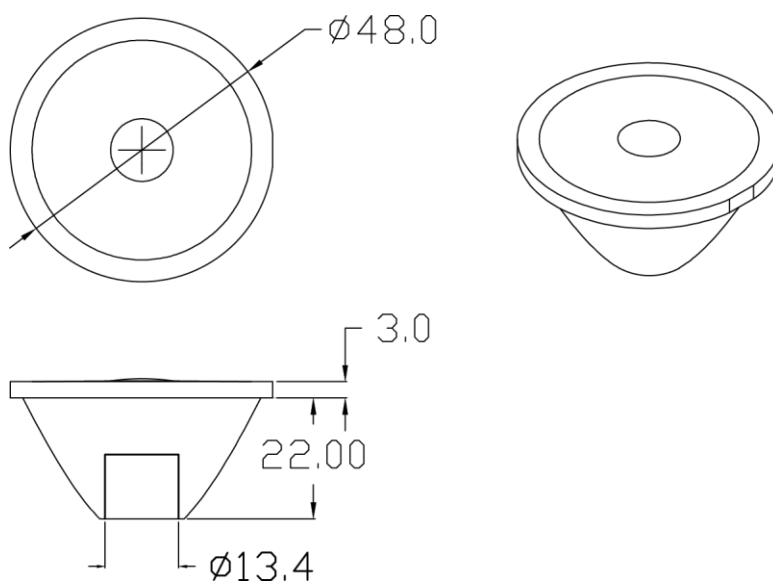


- A. Chun Kuang Optics Corp. Product
- B. Product Type: product abbreviation
Ex:
CH→CoB High Intensity
CC→CoB Compact
CS→Soft Shading for CoB LED
HC→Holder for CoB LED

- C. Identity Code
- D. Lens / Fixture Size
Ex: 075026=Φ75mm / Thickness=26mm (round up)
- C. Serial Numbers

The lens datasheet is applicable for **Osram LED**, that manufactured by Chun Kuang Optics Corp.

✓ Dimensions (mm) : Φ48 x 25



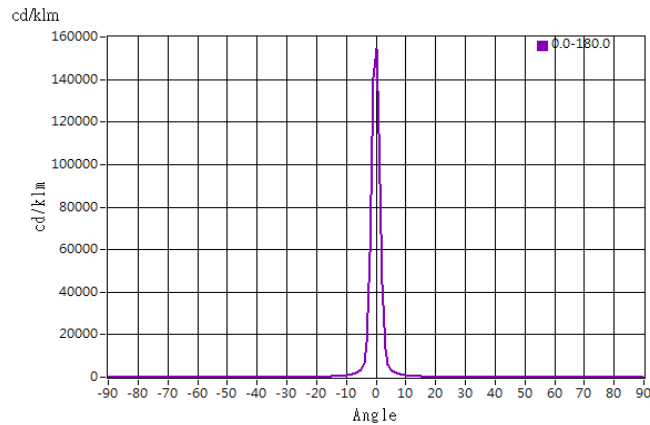
▽:Critical Dimension



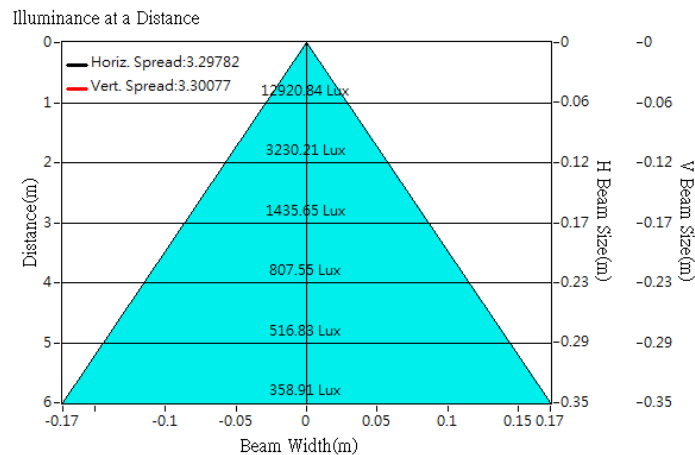
Optical Characteristics

Model Number	CKO-SP16-048025-2801		
LED	Oslon SSL 80		
LES / LED Size	3.0 x 3.0		
FWHM (D50)	3.3°		
Field Angle (D10)	6°		
Dimension with Holder	Φ =48 mm, Thickness=25 mm		
Luminous Flux	84 lm	Measured @ 1.1 W	
Material	PC / UL94V2		

cd/klm



Illuminance At Distances

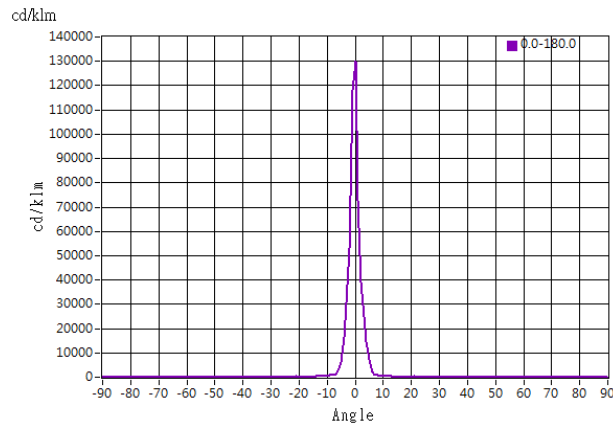




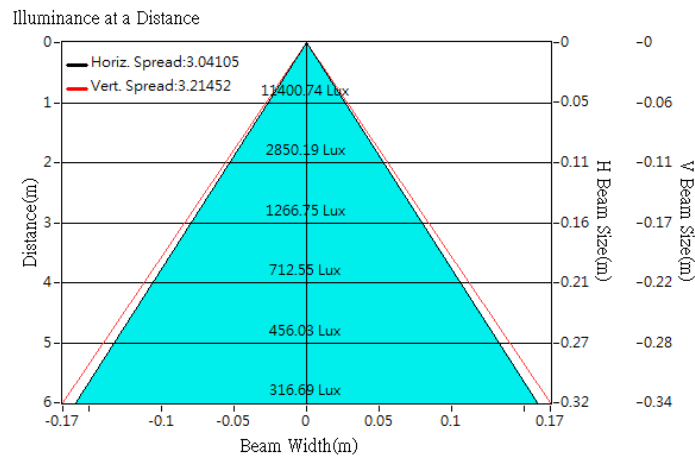
Optical Characteristics

Model Number	CKO-SP16-048025-2801		
LED	Oslon 150		
LES / LED Size	3.0 x 3.0		
FWHM (D50)	3.0°		
Field Angle (D10)	8°		
Dimension with Holder	Φ =48 mm, Thickness=25 mm		
Luminous Flux	88 lm	Measured @ 1.1 W	
Material	PC / UL94V2		

cd/klm



Illuminance At Distances

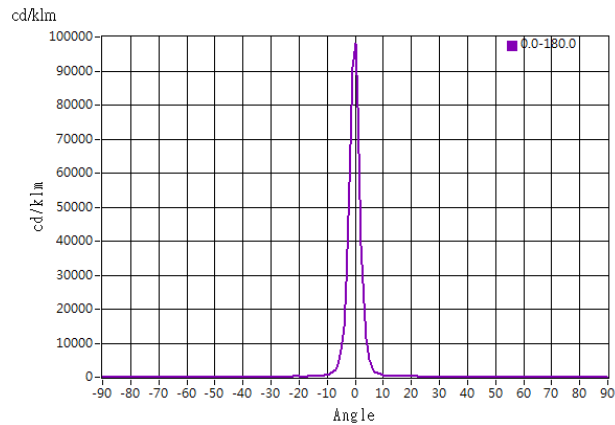




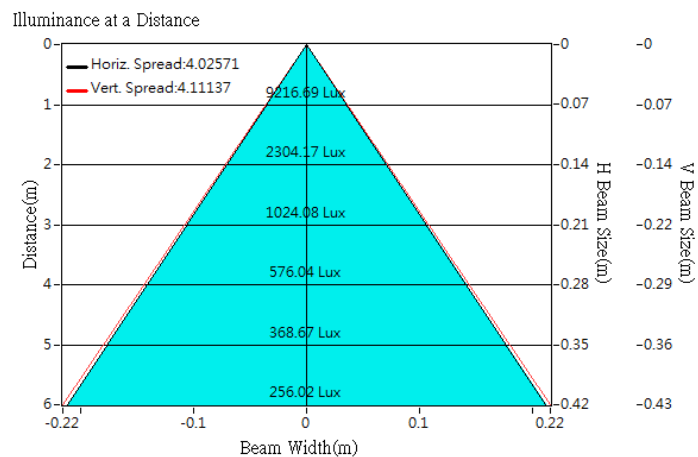
Optical Characteristics

Model Number	CKO-SP16-048025-2801		
LED	Oslon square		
LES / LED Size	3.0 x 3.0		
FWHM (D50)	4.0°		
Field Angle (D10)	9°		
Dimension with Holder	Φ =48 mm, Thickness=25 mm		
Luminous Flux	94 lm	Measured @ 1.1 W	
Material	PC / UL94V2		

cd/klm



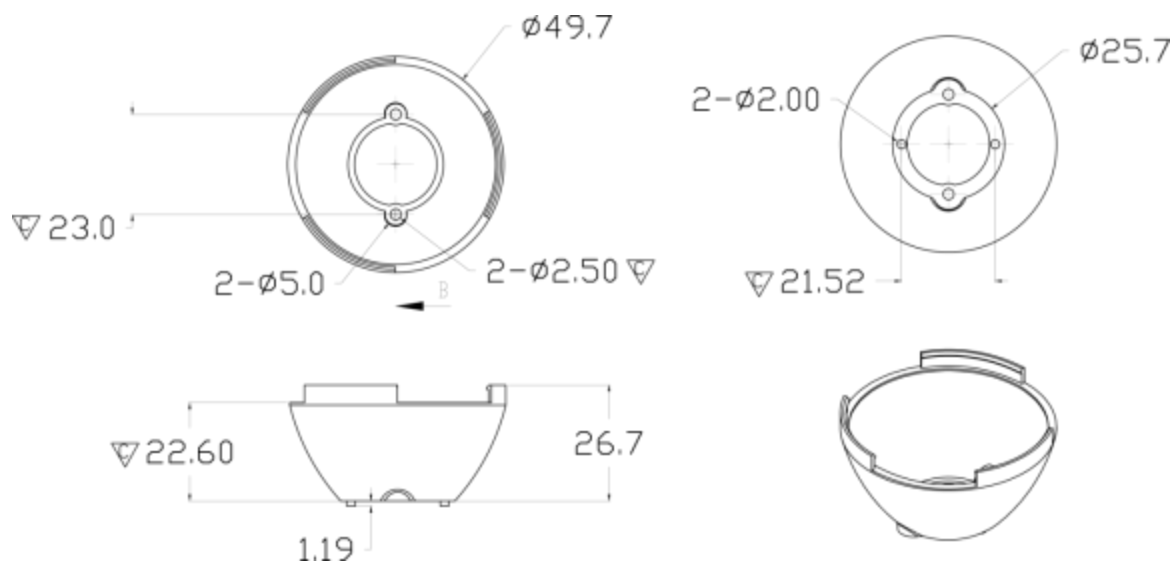
Illuminance At Distances





Lens Accessories - Lens Holder

Product Model	Size (mm)	Material
CKO-HL16-050028-3201	49.7 x 27.89	PC-V0



∇ :Critical Dimension