



Product Model Number

CKO-SP16-048025-2803

✓ Model Number Definitions

CKO-XXXX-XXXXXX-XXXX

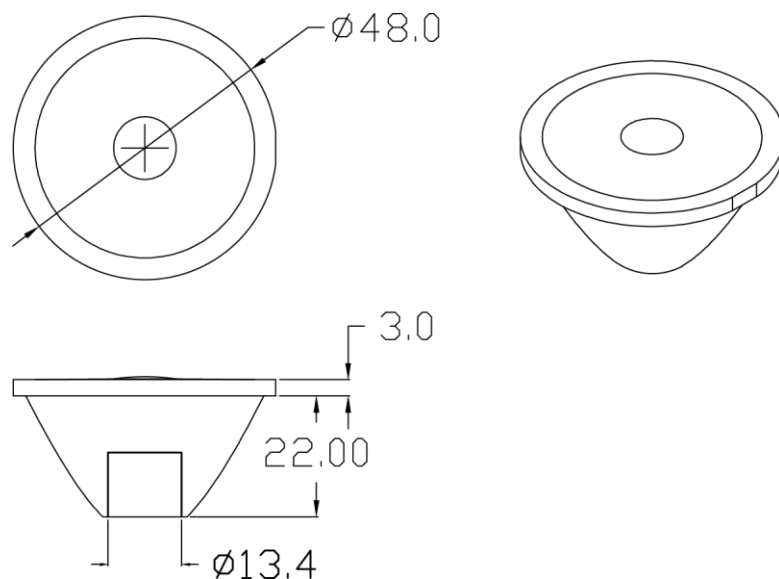


- A. Chun Kuang Optics Corp. Product
- B. Product Type: product abbreviation
Ex:
CH→CoB High Intensity
SP→Pin spot
CS→Soft Shading for CoB LED
HC→Holder for CoB LED

- C. Identity Code
- D. Lens / Fixture Size
Ex: 075026=Φ75mm / Thickness=26mm (round up)
- C. Serial Numbers

The lens datasheet is applicable for **Nichia LED**, that manufactured by Chun Kuang Optics Corp.

✓ Dimensions (mm) : Φ48 x 25



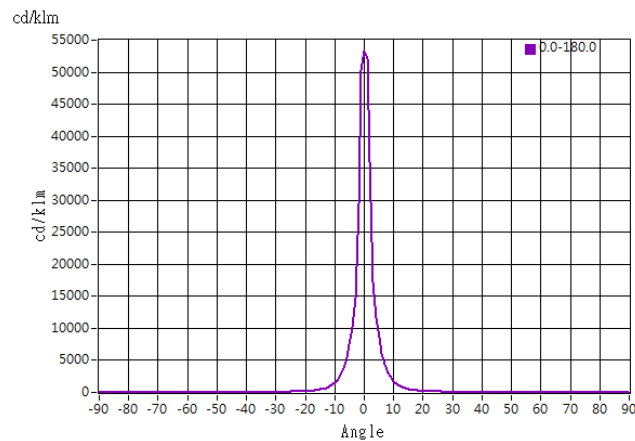
▽:Critical Dimension



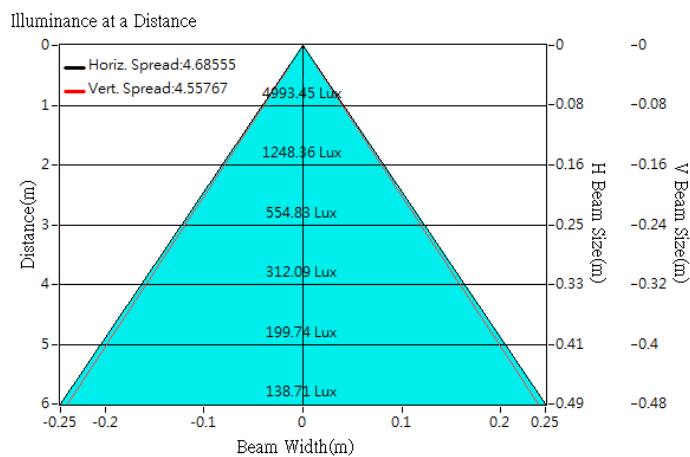
Optical Characteristics

Model Number	CKO-SP16-048025-2803		
LED	219 BT		
LES / LED Size	3.5 x 3.5		
FWHM (D50)	4.6°		
Field Angle (D10)	12°		
Dimension with Holder	Φ =48 mm, Thickness=25 mm		
Luminous Flux	93.6 lm	Measured @ 1.2 W	
Material	PC / UL94V2		

cd/klm



Illuminance At Distances

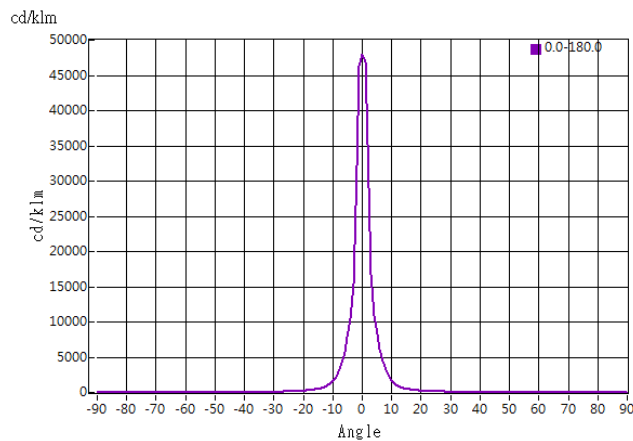




Optical Characteristics

Model Number	CKO-SP16-048025-2803		<p>Schematic Diagram</p> 
LED	219 C		
LES / LED Size	3.5 x 3.5		
FWHM (D50)	5°		
Field Angle (D10)	13°		
Dimension with Holder	Φ =48 mm, Thickness=25 mm		
Luminous Flux	143 lm	Measured @ 1.1 W	
Material	PC / UL94V2		

cd/klm



Illuminance At Distances

