



## Product Model Number

**CKO-SW16-026011-5001**

### ✓ Model Number Definitions

**CKO-XXXX-XXXXXX-XXXX**

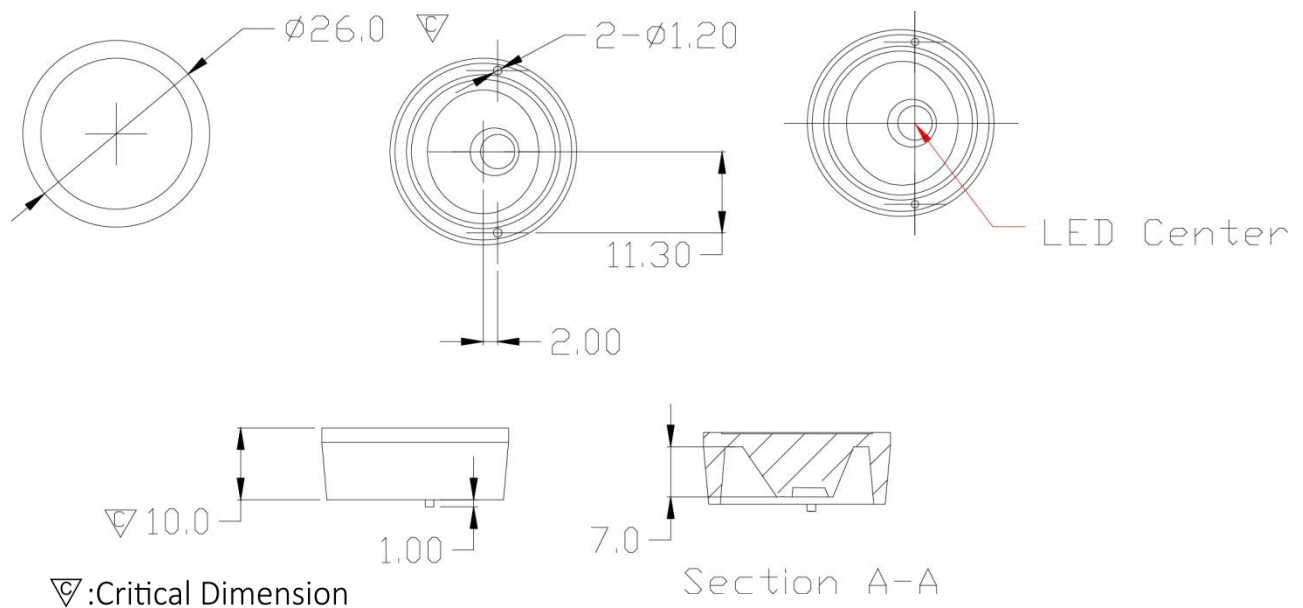


- A. Chun Kuang Optics Corp. Product
- B. Product Type: product abbreviation  
Ex:  
MX→Multi 33 in 1  
SW→Single Wall Washer  
CS→Soft Shading for CoB LED  
HC→Holder for CoB LED

- C. Identity Code
- D. Lens / Fixture Size  
Ex: 075026=Φ75mm / Thickness=26mm (round up)
- C. Serial Numbers

The lens datasheet is applicable for **Nichia LED**, that manufactured by Chun Kuang Optics Corp.

### ✓ Dimensions (mm) : 26 x 11



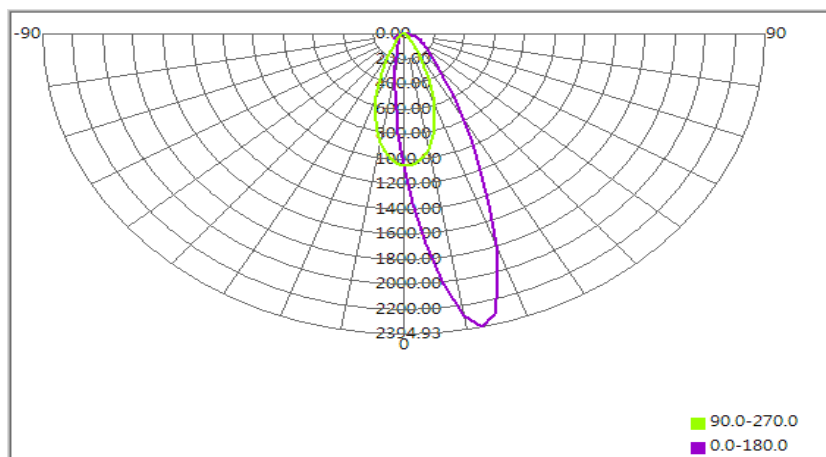




## Optical Characteristics

Model Number	CKO-SW16-026011-5001	
LED	Nichia 219BT	
LES / LED Size	3.5*3.5	
FWHM (D50)	24° x 42°	
Dimension	Φ =26 mm, Thickness=11 mm	
Luminous Flux	91 lm	Measured @ 1.1 W
Material	PC / UL94V2	

## cd/klm



## Illuminance At Distances

