



Product Model Number

CKO-SW16-026011-5001

✓ Model Number Definitions

CKO-XXXX-XXXXXX-XXXX

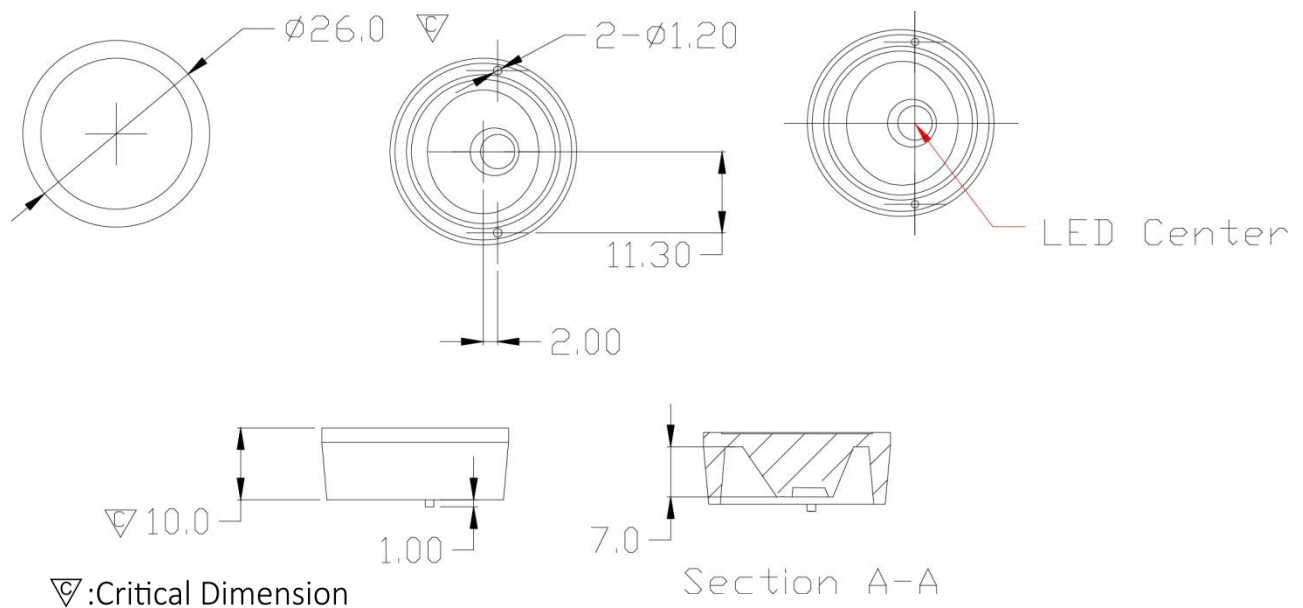


- A. Chun Kuang Optics Corp. Product
- B. Product Type: product abbreviation
Ex:
MX→Multi 33 in 1
SW→Single Wall Washer
CS→Soft Shading for CoB LED
HC→Holder for CoB LED

- C. Identity Code
- D. Lens / Fixture Size
Ex: 075026=Φ75mm / Thickness=26mm (round up)
- E. Serial Numbers

The lens datasheet is applicable for **Osram LED**, that manufactured by Chun Kuang Optics Corp.

✓ Dimensions (mm) : 26 x 11

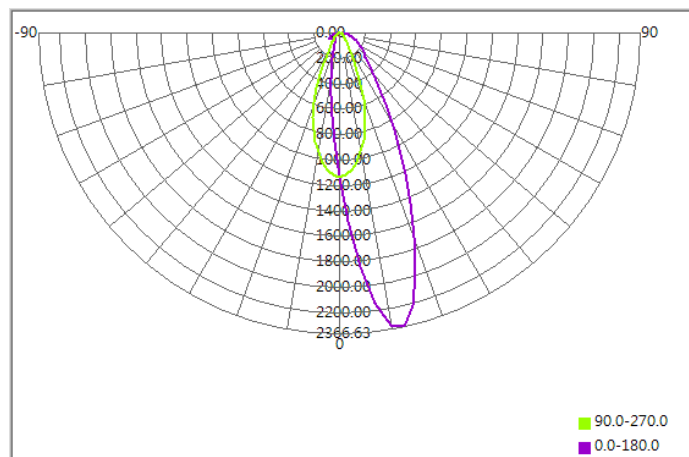




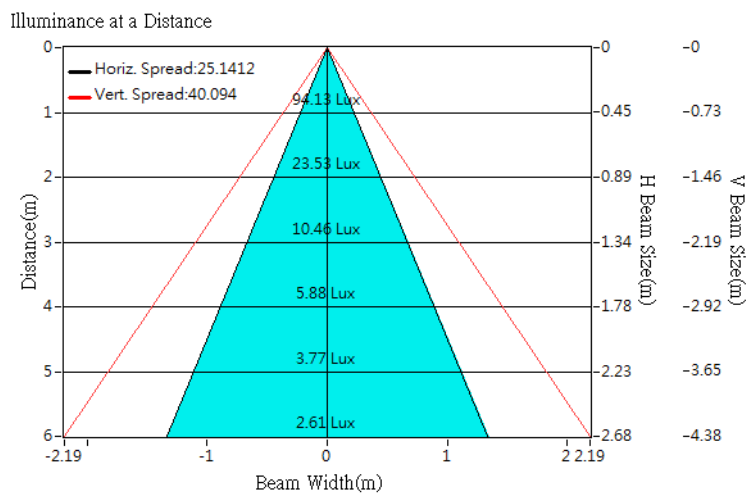
Optical Characteristics

Model Number	CKO-SW16-026011-5001	
LED	SSL 80	
LES / LED Size	3.0 x 3.0	
FWHM (D50)	25°x40°	
Tilt Angle	12°	
Dimension	Φ =26 mm, Thickness=11 mm	
Luminous Flux	83 lm	Measured @ 1.1 W
Material	PC / UL94V2	

cd/klm



Illuminance At Distances

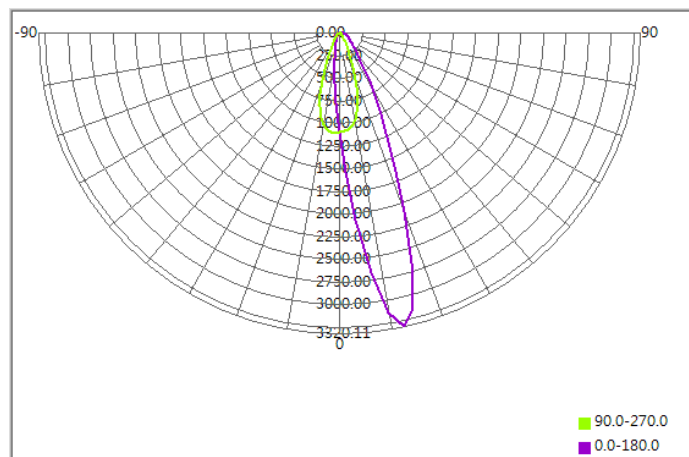




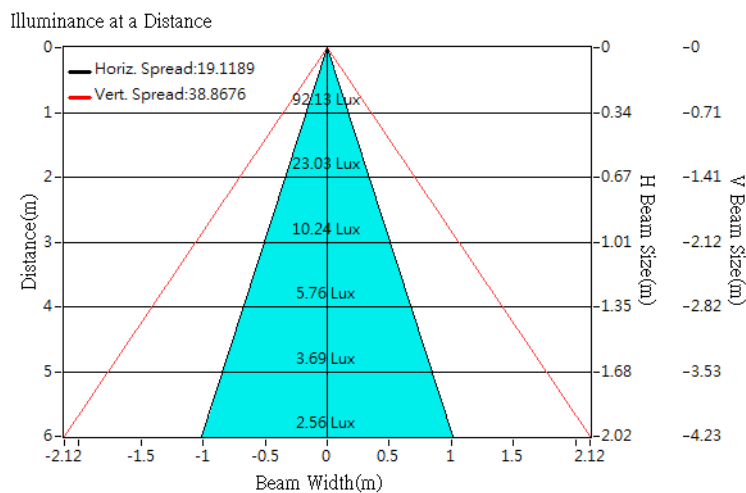
Optical Characteristics

Model Number	CKO-SW16-026011-5001	
LED	SSL 150	
LES / LED Size	3.0 x 3.0	
FWHM (D50)	19°x39°	
Tilt Angle	12°	
Dimension	Φ =26 mm, Thickness=11 mm	
Luminous Flux	84 lm	Measured @ 1.1 W
Material	PC / UL94V2	

cd/klm



Illuminance At Distances

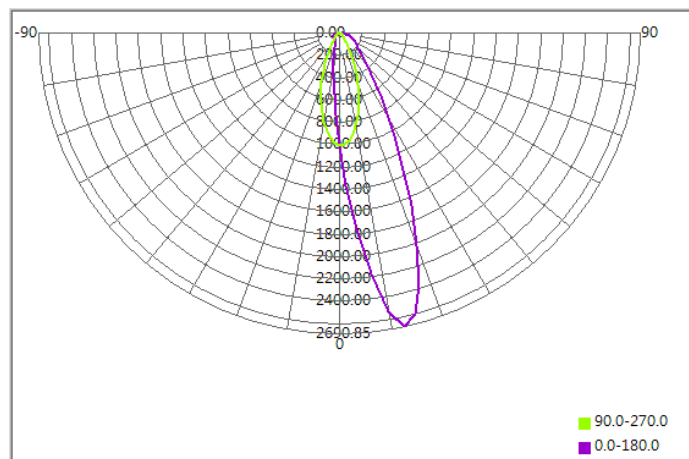




Optical Characteristics

Model Number	CKO-SW16-026011-5001	
LED	Oslon Square	
LES / LED Size	3.0 x 3.0	
FWHM (D50)	23°x39°	
Tilt Angle	12°	
Dimension	Φ =26 mm, Thickness=11 mm	
Luminous Flux	89 lm	Measured @ 1 W
Material	PC / UL94V2	

cd/klm



Illuminance At Distances

