



Product Model Number

CKO-ZU15-034009-9803

✓ Model Number Definitions

CKO-XXXX-XXXXXX-XXXX

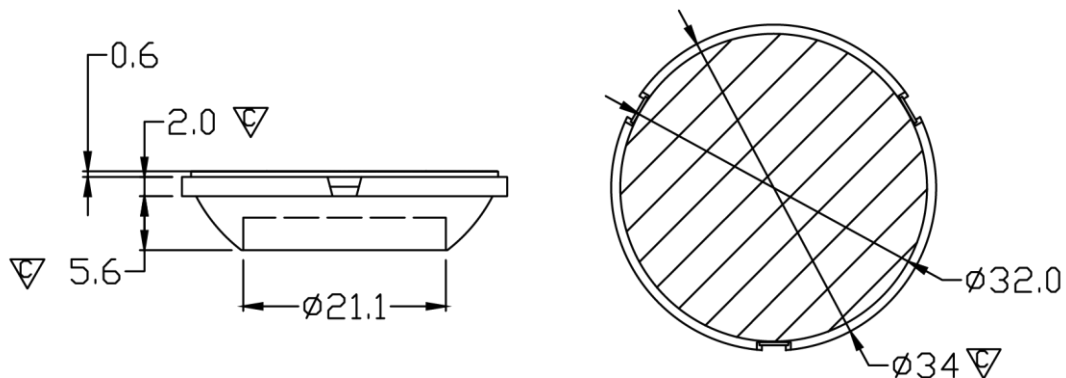


- A. Chun Kuang Optics Corp. Product
- B. Product Type: product abbreviation
Ex:
CH→CoB High Intensity
CC→CoB Compact
ZU→Multi-Angle Zooming Lens
HC→Holder for CoB LED

- C. Identity Code
- D. Lens / Fixture Size
Ex: 075026=Φ75mm / Thickness=26mm (round up)
- E. Serial Numbers

The lens datasheet is applicable for **Philips LED**, that manufactured by Chun Kuang Optics Corp.

✓ Dimensions (mm) : Φ34 x 8.2

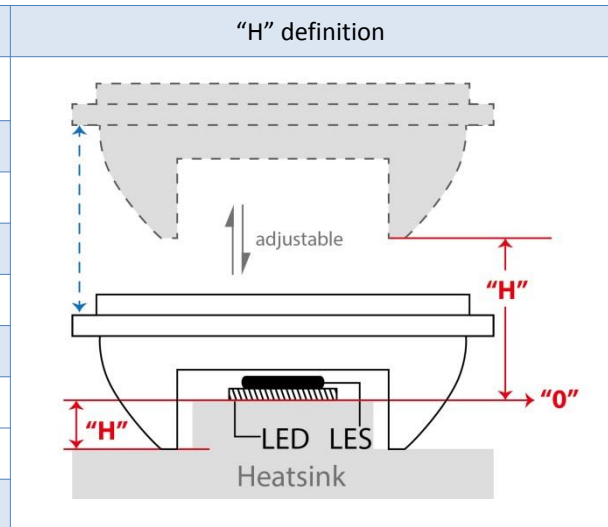


▽:Critical Dimension

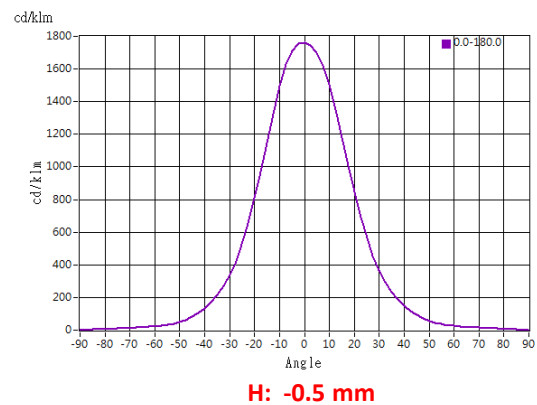
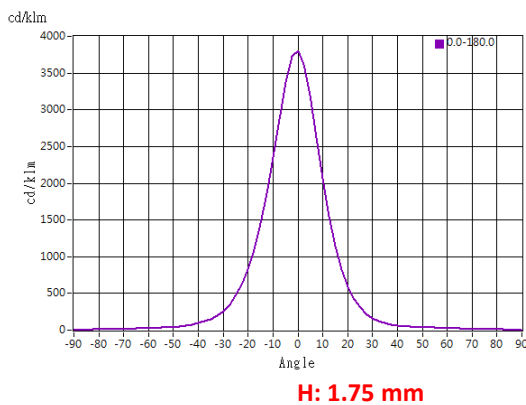


Optical Characteristics

| | |
|-------------------|--|
| Model Number | CKO-ZU15-034009-9803 |
| LED | Fortimo SLM 1204 L09 G7 |
| LES / LED Size | Φ 9 mm |
| FWHM (D50) | 23°-38° |
| Field Angle (D10) | 50°-75° |
| H (distance) | 1.75mm~-0.5mm |
| Dimension | Φ =34 mm, Thickness=8.2 mm |
| Luminous Flux | 1813 lm ~ 1945 lm (23° ~ 38°) Measured @ 28 W |
| Material | PC / UL94V2 |



cd/klm



Illuminance At Distances

