



## Product Model Number

**CKO-ZU15-034009-9803**

### ✓ Model Number Definitions

**CKO-XXXX-XXXXXX-XXXX**

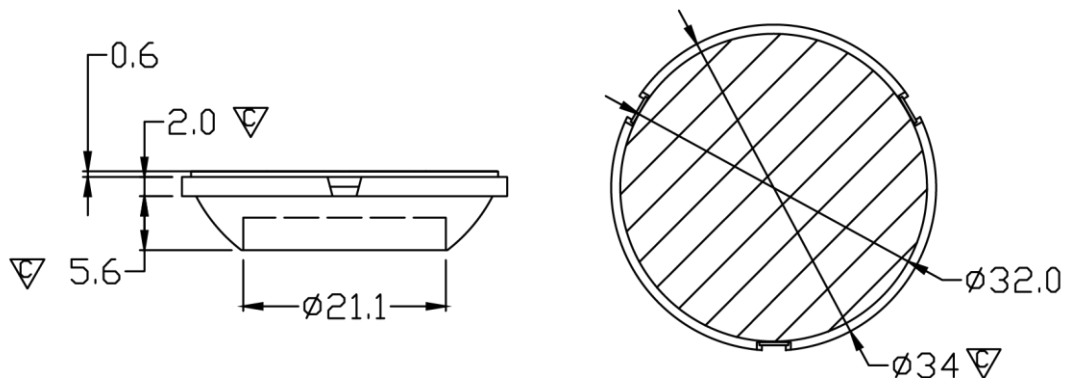


- A. Chun Kuang Optics Corp. Product
- B. Product Type: product abbreviation  
Ex:  
CH→CoB High Intensity  
CC→CoB Compact  
ZU→Multi-Angle Zooming Lens  
HC→Holder for CoB LED

- C. Identity Code
- D. Lens / Fixture Size  
Ex: 075026=Φ75mm / Thickness=26mm (round up)
- E. Serial Numbers

The lens datasheet is applicable for **TRIDONIC LED**, that manufactured by Chun Kuang Optics Corp.

### ✓ Dimensions (mm) : **Φ34 x 8.2**



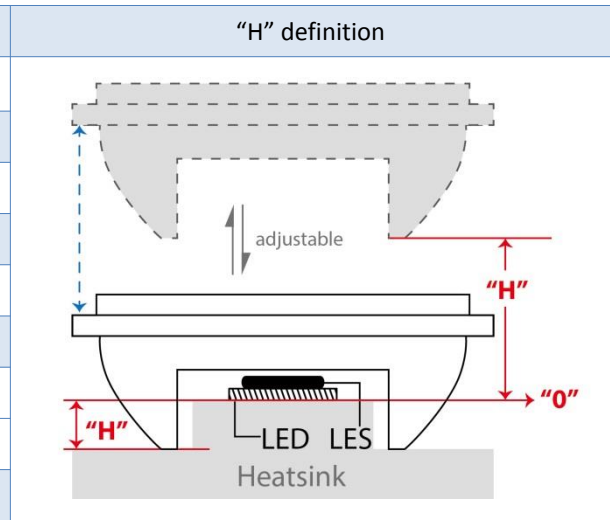
▽:Critical Dimension



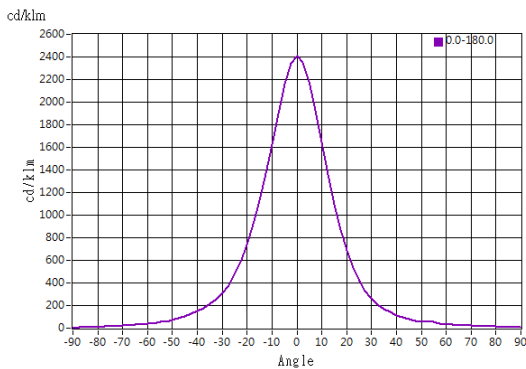


## Optical Characteristics

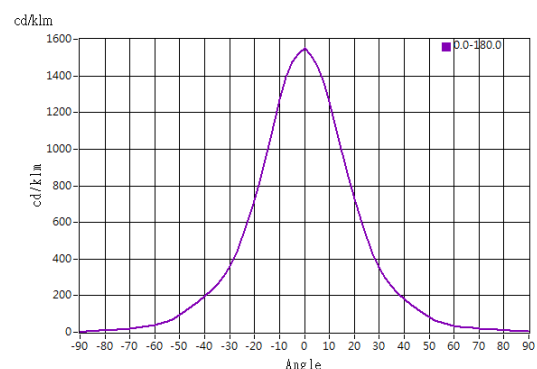
Model Number	CKO-ZU15-034009-9803
LED	<b>SLE G7 09mm 1200lm 940 R ADV</b>
LES / LED Size	Φ 9 mm
FWHM (D50)	28°-38°
Field Angle (D10)	64°-86°
H (distance)	1.25mm~0.5mm
Dimension	Φ =34 mm, Thickness=8.2 mm
Luminous Flux	1567 lm ~ 1599 lm (28° ~ 38°) Measured @ 12.4 W
Material	PC / UL94V2



## cd/klm

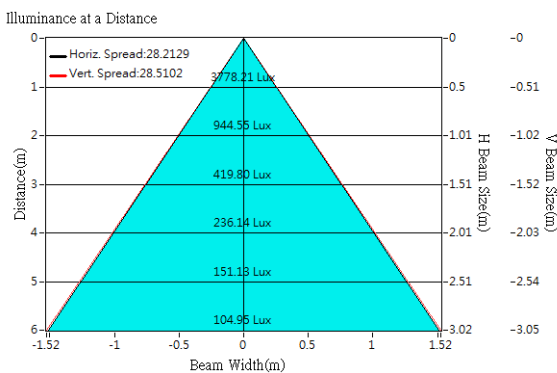


**H: 1.25 mm**

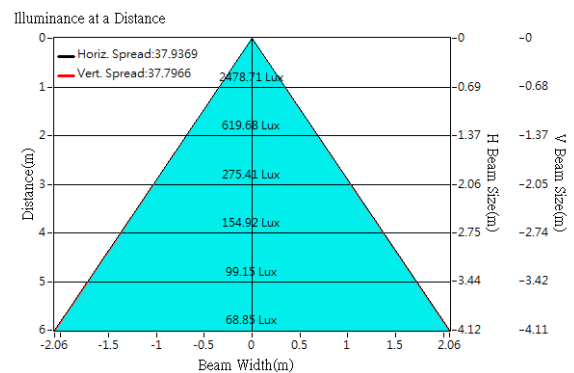


**H: -0.5 mm**

## Illuminance At Distances



**H: 1.25 mm**



**H: -0.5 mm**