



Product Model Number

CKO-ZU15-045011-9501

✓ Model Number Definitions

CKO-XXXX-XXXXXX-XXXX

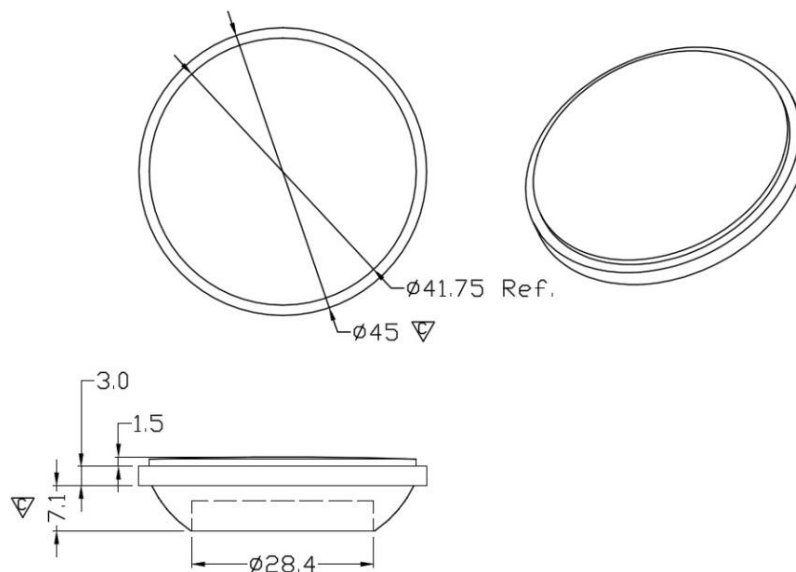


- A. Chun Kuang Optics Corp. Product
- B. Product Type: product abbreviation
Ex:
CH→CoB High Intensity
CC→CoB Compact
ZU→Multi-Angle Zooming Lens
HC→Holder for CoB LED

- C. Identity Code
- D. Lens / Fixture Size
Ex: 075026=Φ75mm / Thickness=26mm (round up)
- C. Serial Numbers

The lens datasheet is applicable for **TRIDONIC LED**, that manufactured by Chun Kuang Optics Corp.

✓ Dimensions (mm) : Φ45 x 11.6

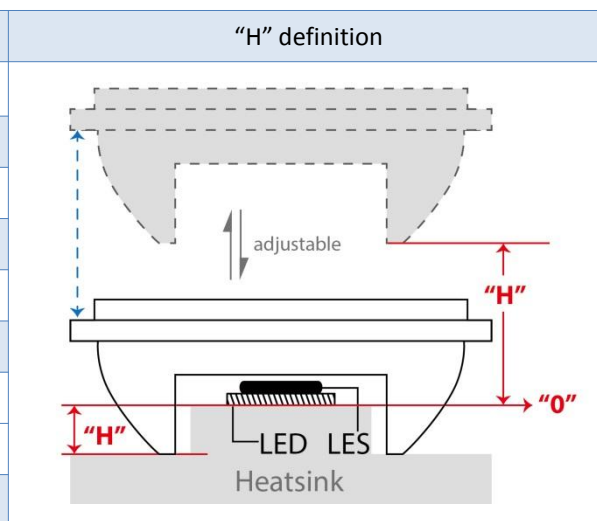


▽:Critical Dimension

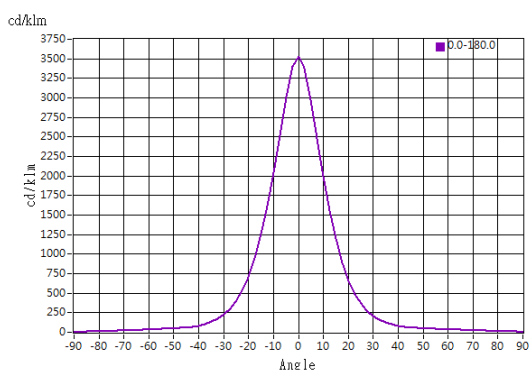


Optical Characteristics

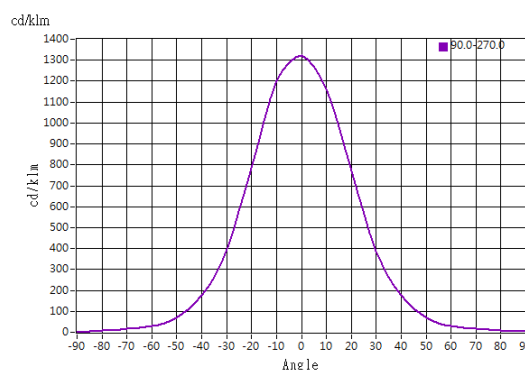
Model Number	CKO-ZU15-045011-9501
LED	SLE G7 09mm 1200lm 940 R ADV
LES / LED Size	Φ 9 mm
FWHM (D50)	23°-46°
Field Angle (D10)	52°-87°
H (distance)	2.0mm~1.6mm
Dimension	Φ =60 mm, Thickness=13 mm
Luminous Flux	1454 lm ~ 1497 lm (23°-46°) Measured @ 12.6 W
Material	PC / UL94V2



cd/klm

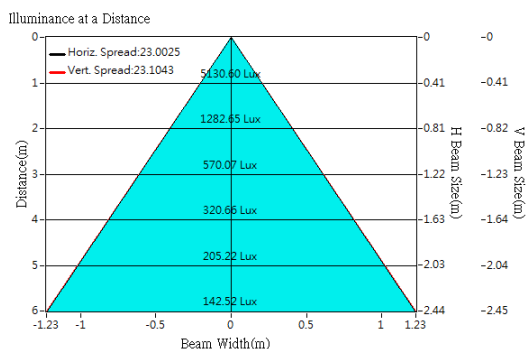


H: 2.0 mm

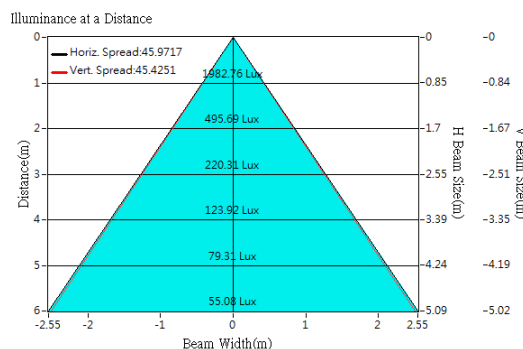


H: -1.6 mm

Illuminance At Distances



H: 2.0 mm



H: -1.6 mm